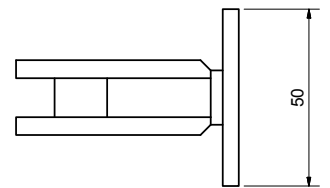
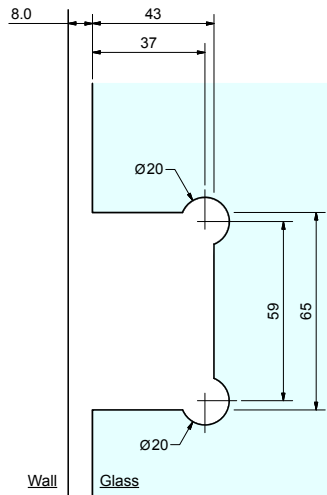




T7 Frameless Glass Door Hinge



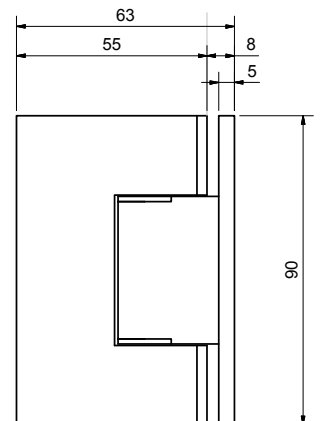
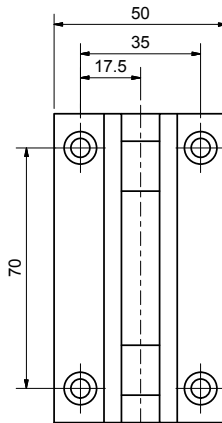
T7 Frameless Glass Door Hinge



T7 Wall to Glass Full Back Plate Rabbit Ear Cut Out

- Suitable for glass 8mm - 10mm
- High quality components and surface finish
- Suggested door width 762mm.
- Suggested door weight (2 hinges) 35kg

Description	Code
Bright Chrome	19-SH/033
Satin Chrome	Contact NFK
Gold	Contact NFK



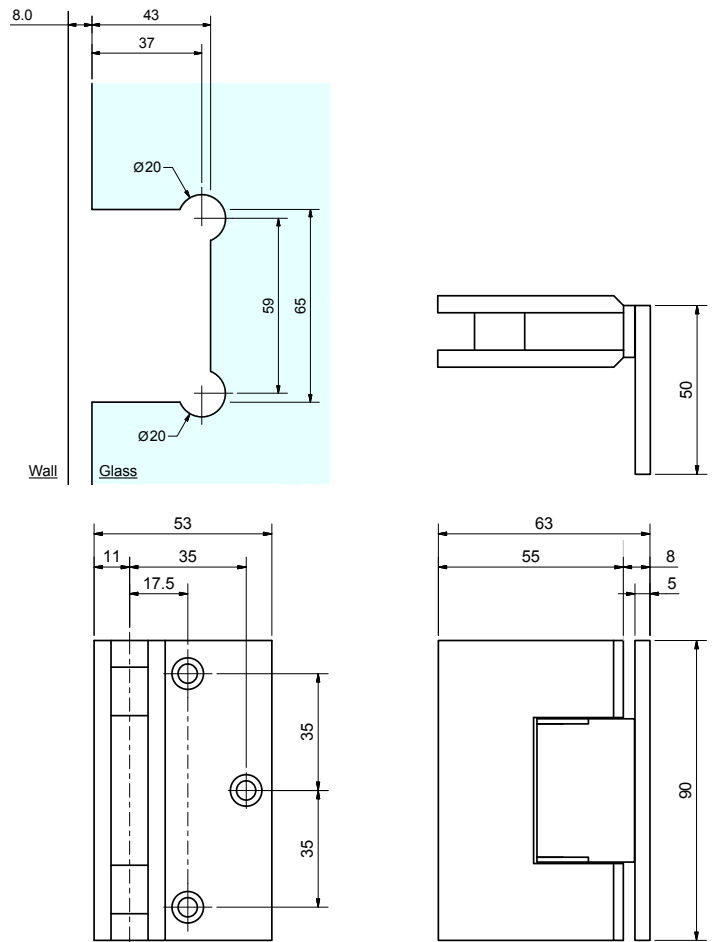
T7 Frameless Glass Door Hinge



T7 Wall to Glass Offset Back Plate Rabbit Ear Cut Out

- Suitable for glass 8mm - 10mm
- High quality components and surface finish
- Suggested door width 762mm.
- Suggested door weight (2 hinges) 35kg

Description	Code
Bright Chrome	19-SH/034
Satin Chrome	Contact NFK
Gold	Contact NFK



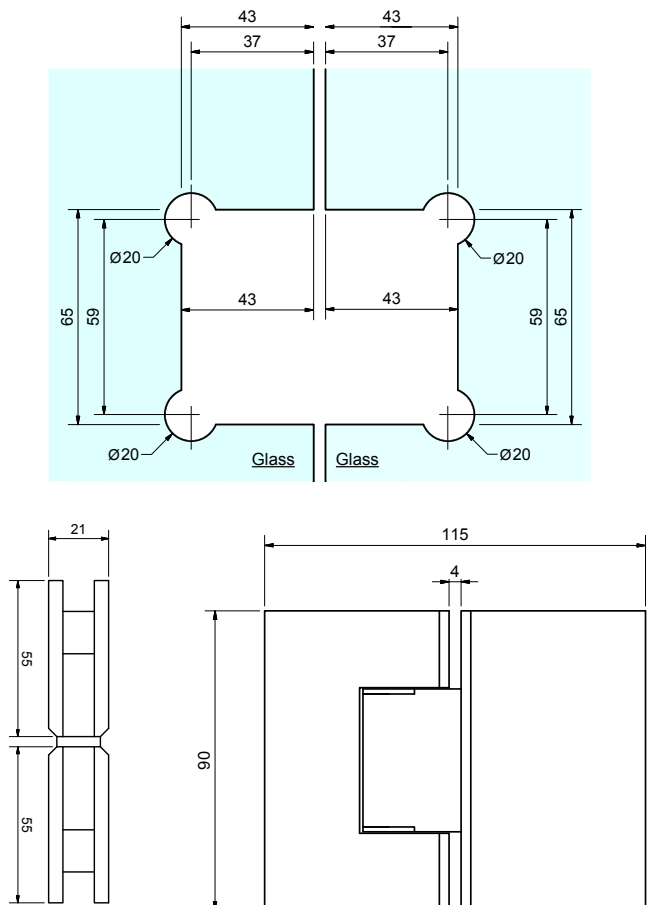
T7 Frameless Glass Door Hinge



T7 Glass to Glass 180° Rabbit Ear Cut Out

- Suitable for glass 8mm - 10mm
- High quality components and surface finish
- Suggested door width 762mm.
- Suggested door weight (2 hinges) 35kg

Description	Code
Bright Chrome	19-SH/035
Satin Chrome	Contact NFK
Gold	Contact NFK

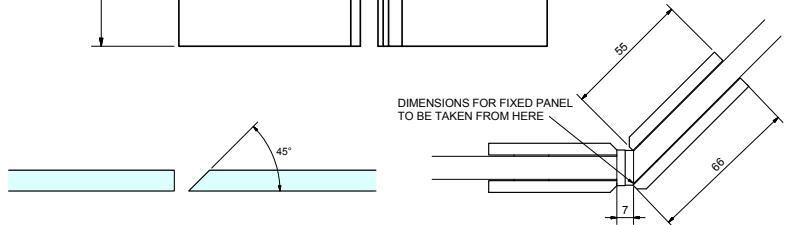
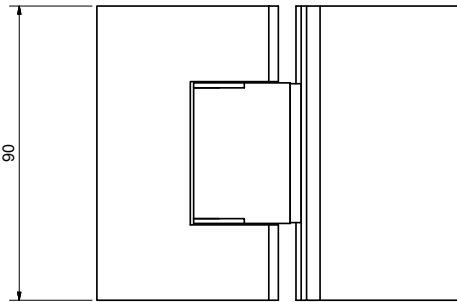
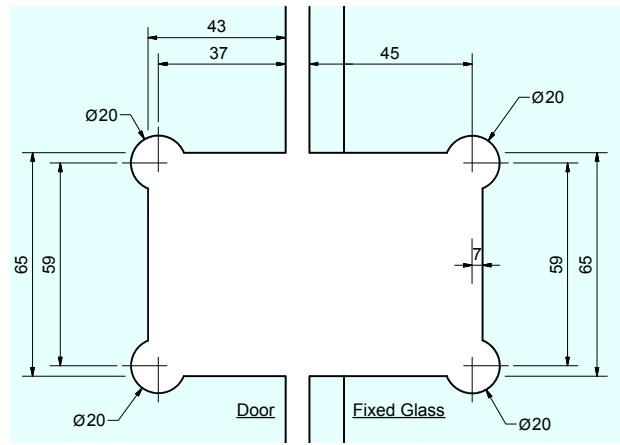




T7 Glass to Glass 135° Rabbit Ear Cut Out

- Suitable for glass 8mm - 10mm
- High quality components and surface finish
- Suggested door width 762mm.
- Suggested door weight (2 hinges) 35kg

Description	Code
Bright Chrome	19-SH/036
Satin Chrome	Contact NFK
Gold	Contact NFK



T7 Glass to Glass 90° Rabbit Ear Cut Out

- Suitable for glass 8mm - 10mm
- High quality components and surface finish
- Suggested door width 762mm.
- Suggested door weight (2 hinges) 35kg

Description	Code
Bright Chrome	19-SH/037
Satin Chrome	Contact NFK
Gold	Contact NFK

