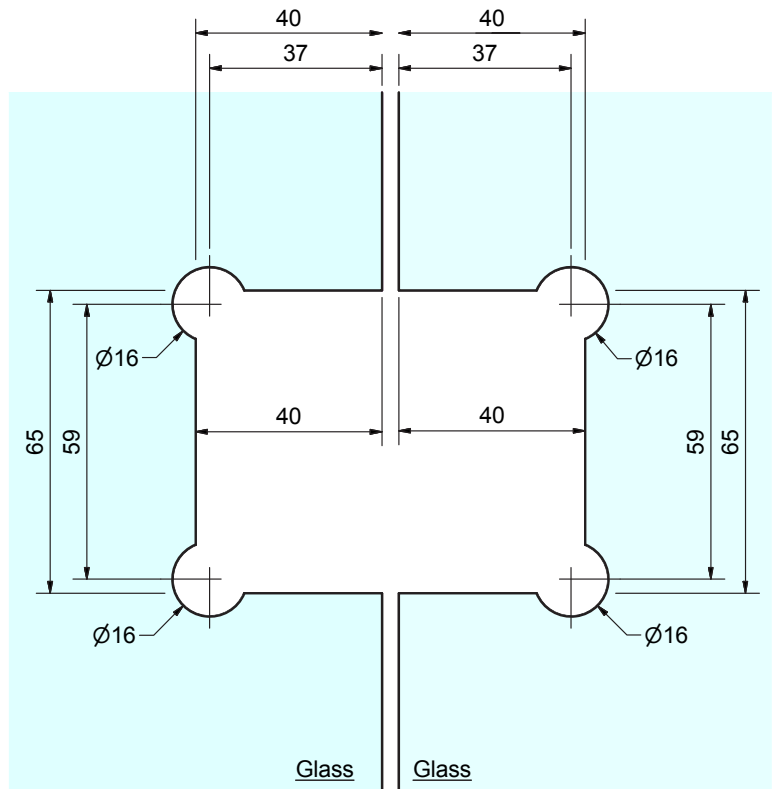
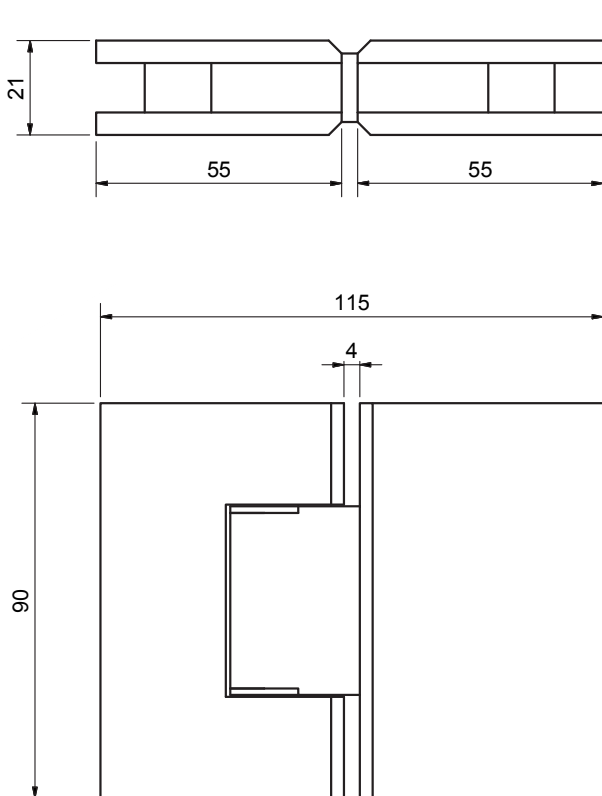




X1 Frameless Glass Door Hinge
Glass to Glass 180° Rabbit Ear Cut Out

Suitable for glass 8 ~ 10mm
 High quality components and surface finish
 Suggested Door Weight (2 hinges) 35kg

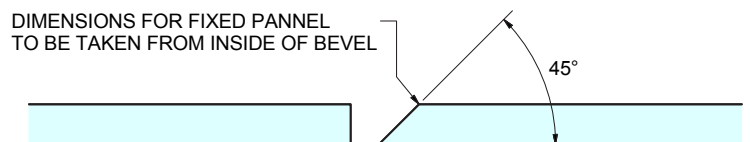
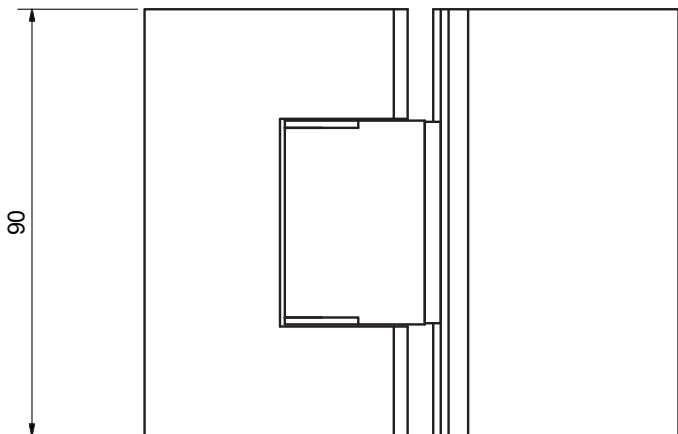
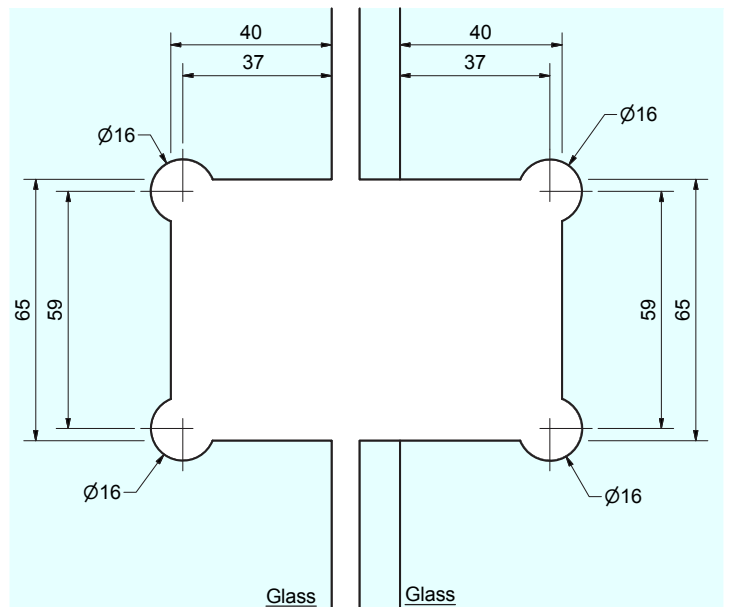
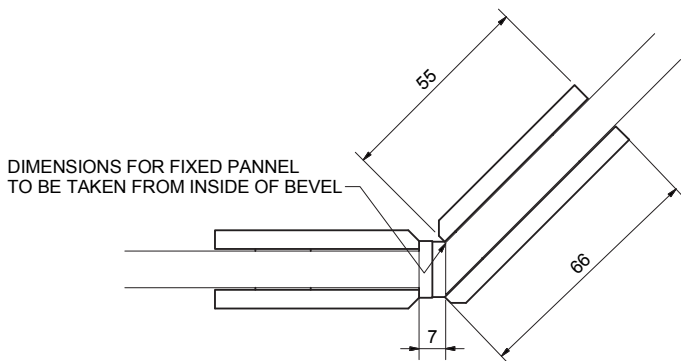


Description	Code
Bright Chrome	19-SH/050
Satin Chrome	-
Gold	-



X1 Frameless Glass Door Hinge
Glass to Glass 135°, Rabbit Ear Cut Out

Suitable for glass 8 ~ 10mm
 High quality components and surface finish.
 Suggested Door Weight (2 hinges) 35kg

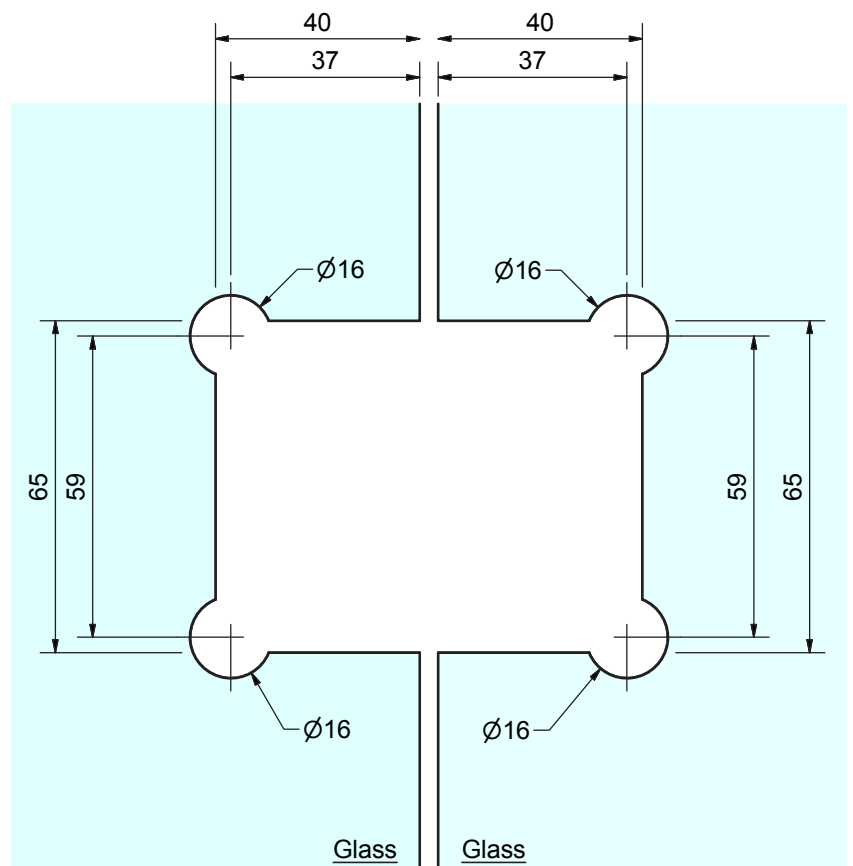
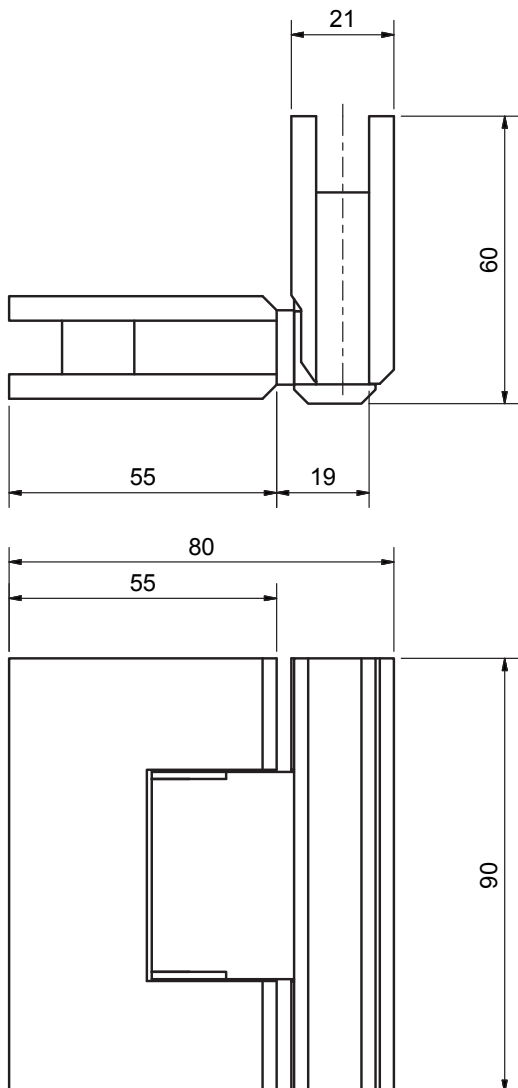


Description	Code
Bright Chrome	19-SH/053
Satin Chrome	-
Gold	-



X1 Frameless Glass Door Hinge
Glass to Glass 90° Rabbit Ear Cut Out

Suitable for glass 8 - 10mm
 High quality components and surface finish.
 Suggested Door Weight (2 hinges) 35kg

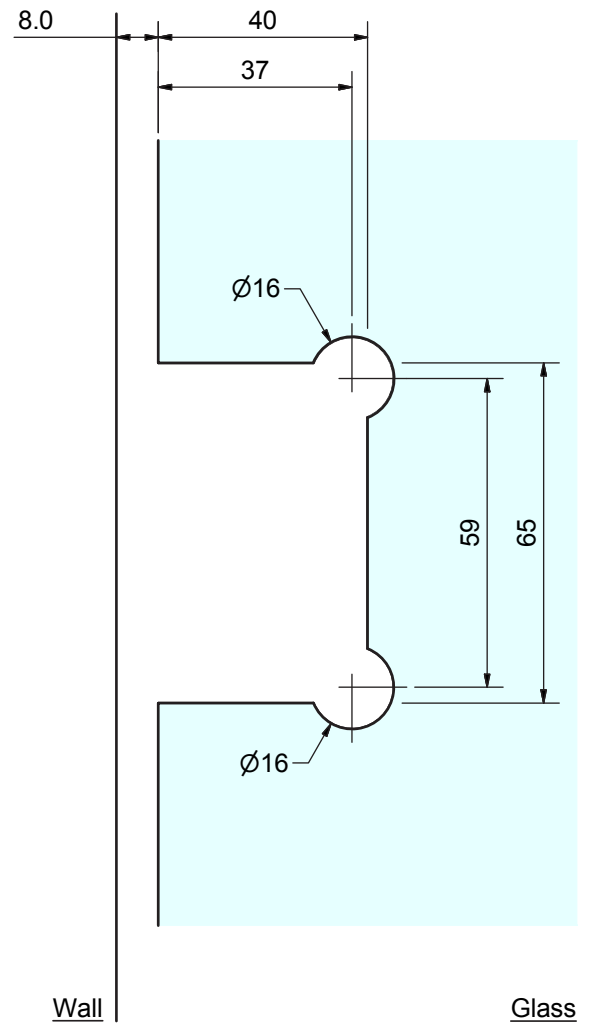
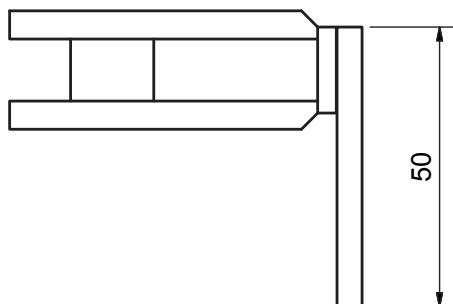
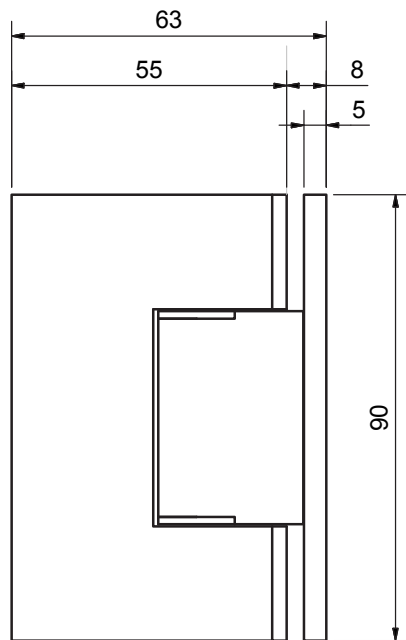
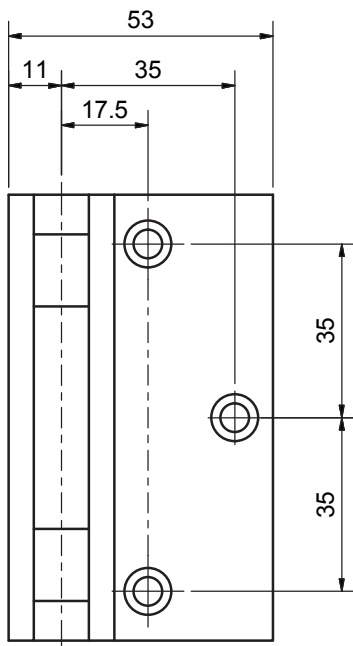


Description	Code
Bright Chrome	19-SH/054
Satin Chrome	-
Gold	-



X1 Frameless Glass Door Hinge
Wall to Glass Offset Back Plate, Rabbit Ear Cut Out

Suitable for glass 8 - 10mm
 High quality components and surface finish.
 Suggested Door Weight (2 hinges) 35kg

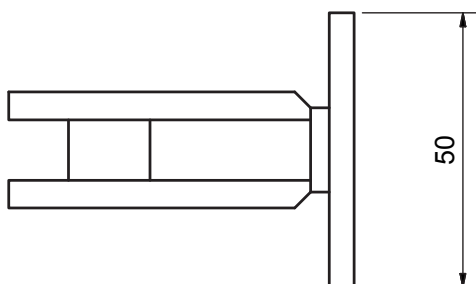
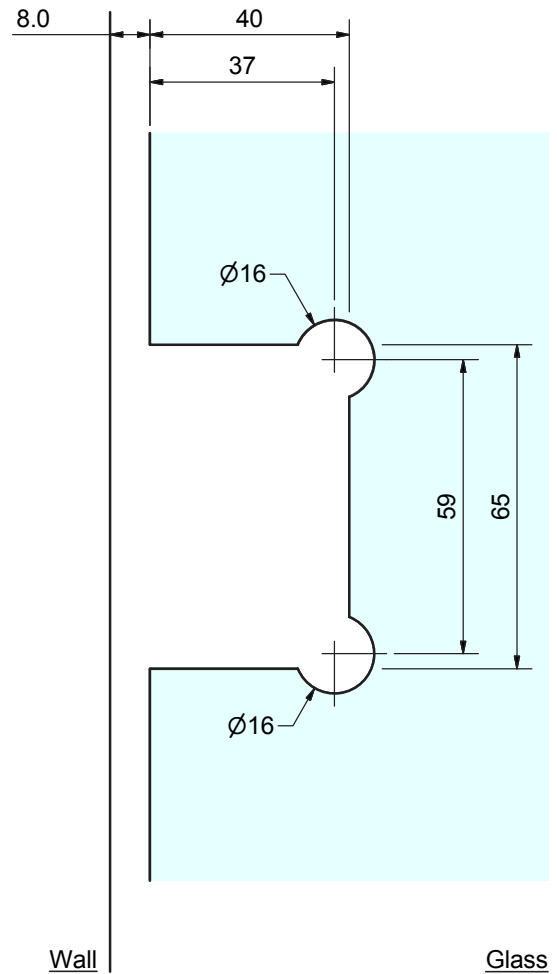
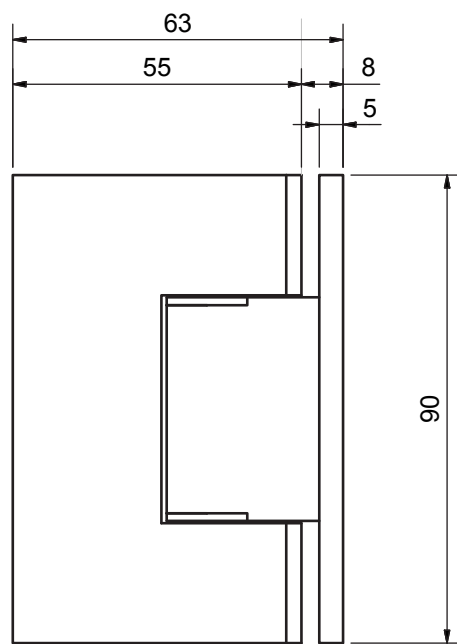
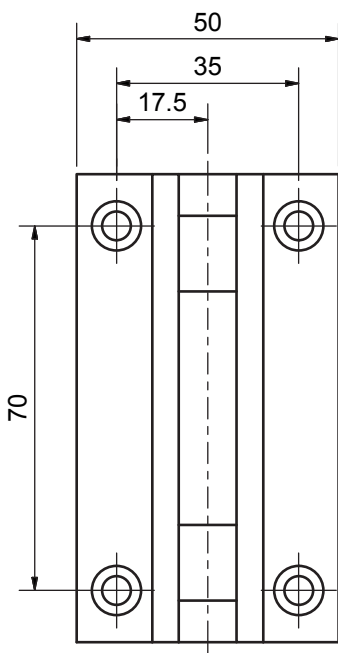


Description	Code
Bright Chrome	19-SH/051
Satin Chrome	-
Gold	-



**X1 Frameless Glass Door Hinge
Wall to Glass Full Back Plate, Rabbit Ear Cut Out**

Suitable for glass 8 - 10mm
High quality components and surface finish.
Suggested Door Weight (2 hinges) 35kg



Description	Code
Bright Chrome	19-SH/052
Satin Chrome	-
Gold	-