



XC1 Frameless Glass Door Hinge



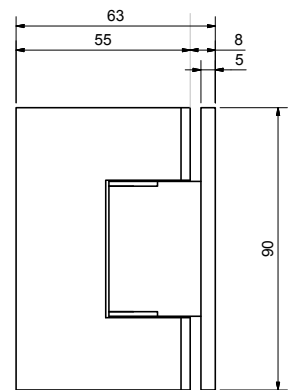
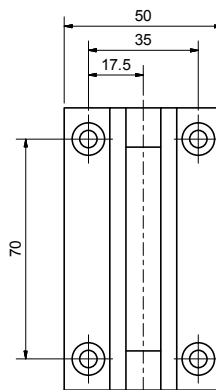
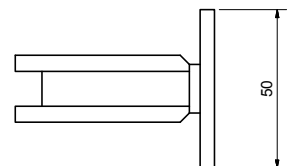
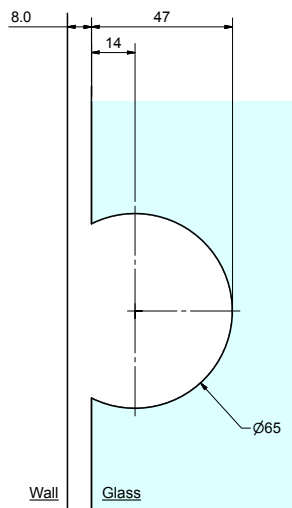
XC1 Frameless Glass Door Hinge



XC1 Wall to Glass Full Back Plate C Cut Out

- Suitable for glass 8mm - 10mm
- High quality components and surface finish
- Suggested door width 800mm.
- Suggested door weight (2 hinges) 35kg

Description	Code
Bright Chrome	19-SH/060
Satin Chrome	Contact NFK
Gold	Contact NFK



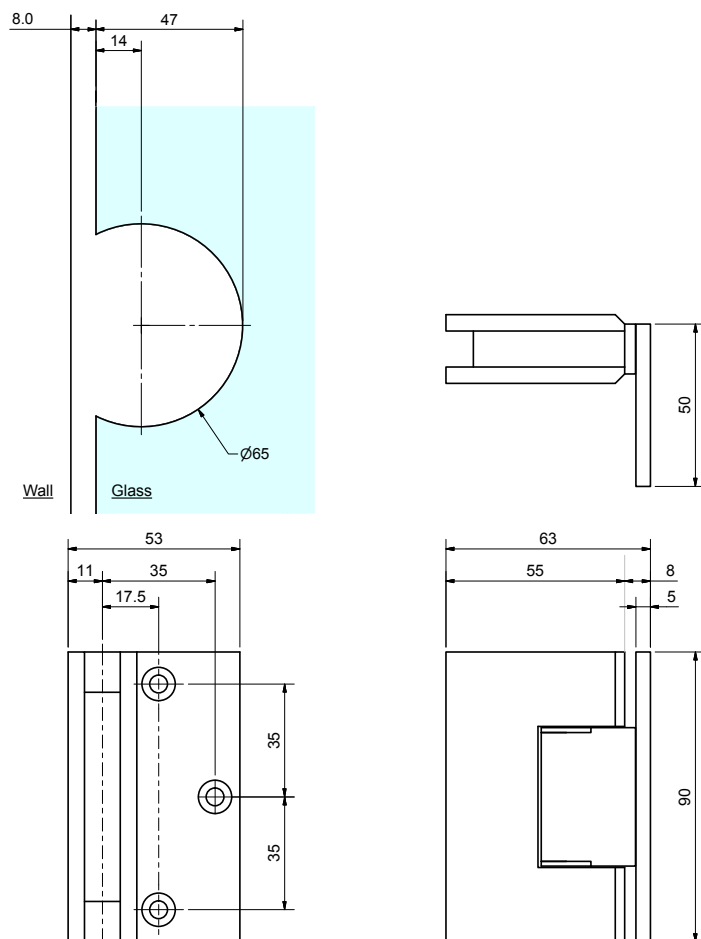
XC1 Frameless Glass Door Hinge



XC1 Wall to Glass Offset Back Plate C Cut Out

- Suitable for glass 8mm - 10mm
- High quality components and surface finish
- Suggested door width 800mm.
- Suggested door weight (2 hinges) 35kg

Description	Code
Bright Chrome	19-SH/064
Satin Chrome	Contact NFK
Gold	Contact NFK



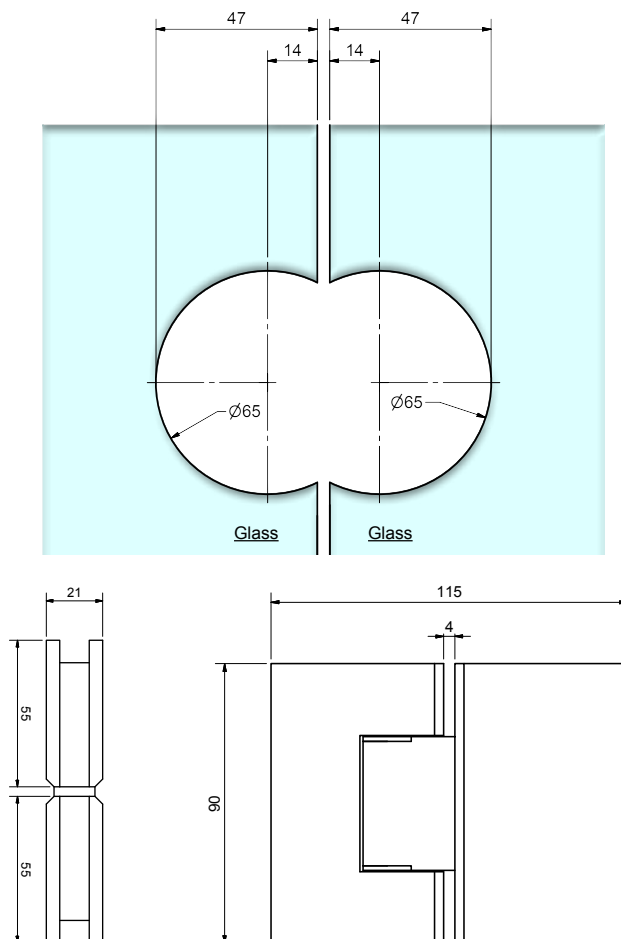
XC1 Frameless Glass Door Hinge



XC1 Glass to Glass 180° C Cut Out

- Suitable for glass 8mm - 10mm
- High quality components and surface finish
- Suggested door width 800mm.
- Suggested door weight (2 hinges) 35kg

Description	Code
Bright Chrome	19-SH/062
Satin Chrome	Contact NFK
Gold	Contact NFK

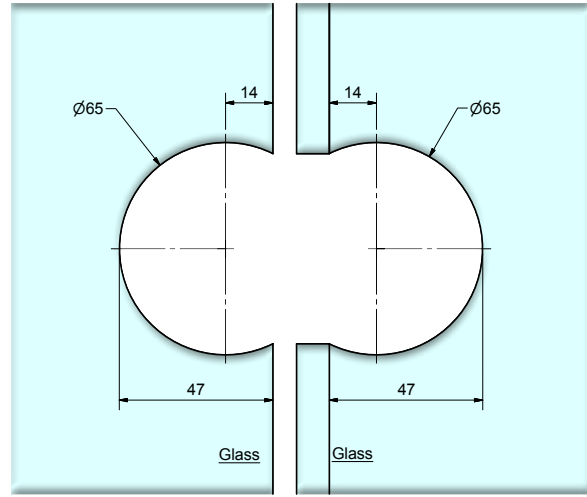




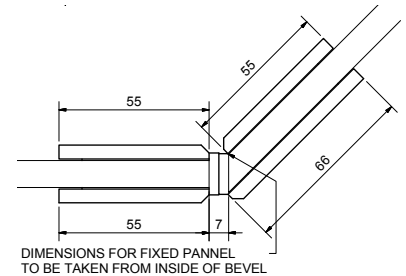
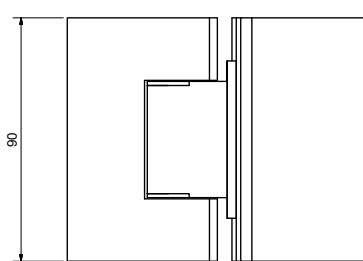
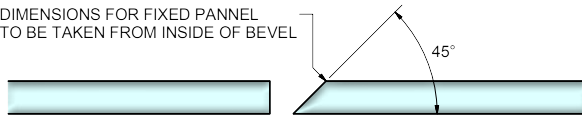
**XC1 Glass to Glass 135°
C Cut Out**

- Suitable for glass 8mm - 10mm
- High quality components and surface finish
- Suggested door width 800mm.
- Suggested door weight (2 hinges) 35kg

Description	Code
Bright Chrome	19-SH/061
Satin Chrome	Contact NFK
Gold	Contact NFK



DIMENSIONS FOR FIXED PANNEL TO BE TAKEN FROM INSIDE OF BEVEL



DIMENSIONS FOR FIXED PANNEL TO BE TAKEN FROM INSIDE OF BEVEL



**XC1 Glass to Glass 90°
C Cut Out**

- Suitable for glass 8mm - 10mm
- High quality components and surface finish
- Suggested door width 800mm.
- Suggested door weight (2 hinges) 35kg

Description	Code
Bright Chrome	19-SH/063
Satin Chrome	Contact NFK
Gold	Contact NFK

