

### Fin Spider Medium Duty 1 Arm 45°

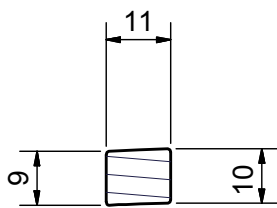
NFK's medium duty spider range are suitable for mid weight applications, in both vertical and horizontal glazing.

Single arm fin spiders can be used to fix upper or lower outer corners, to maintain design when used in conjunction with two arm spiders.

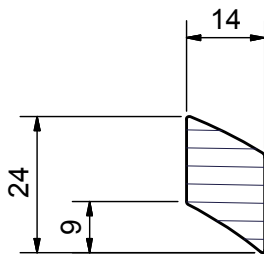
High quality finish in either satin or mirror polish.

Cast in 316 stainless steel or higher.

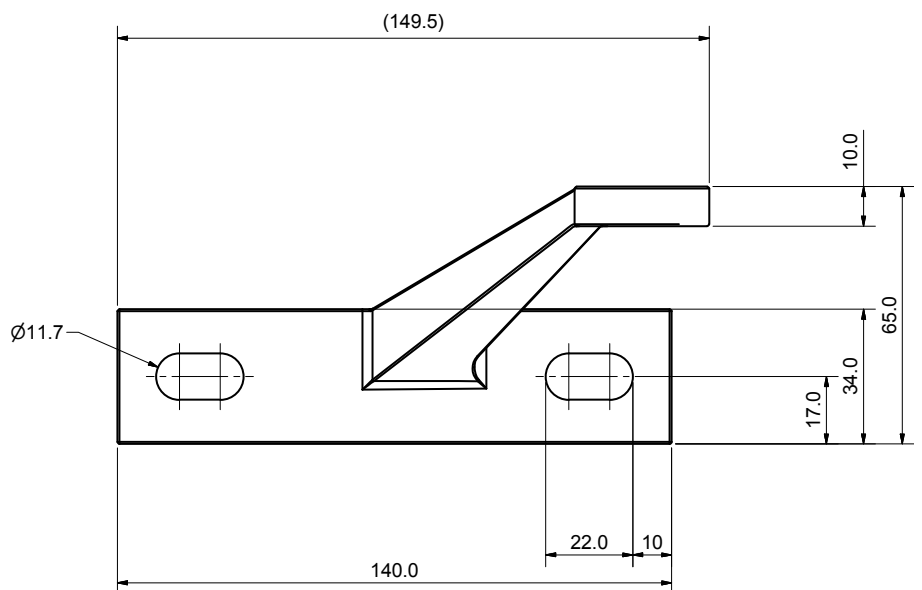
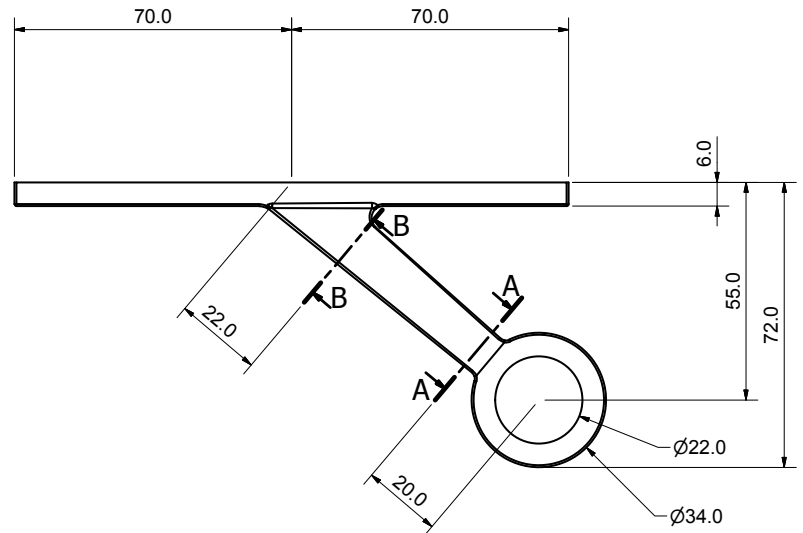
Point fixing options and technical guidance or full engineering is available.



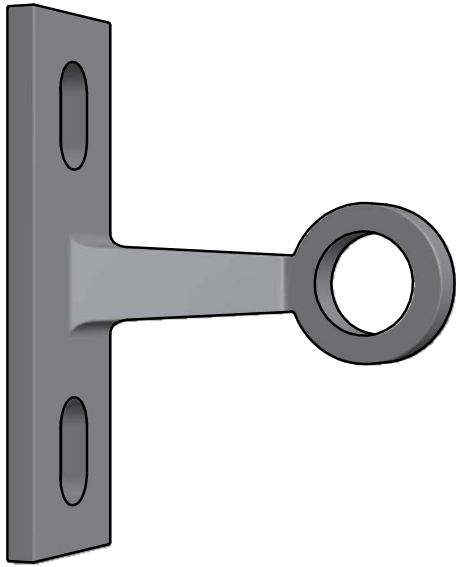
SECTION-A-A



SECTION-B-B



Description	Code
Fin Spider Single Arm 45° Medium , Right Hand, Satin Finish	41-1002.03.77
Fin Spider Single Arm 45° Medium , Right Hand, Polished Finish	41-1002.03.99



### Fin Spider Medium Duty 1 Arm

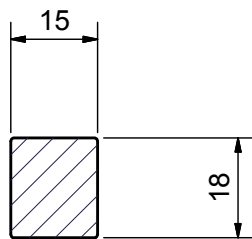
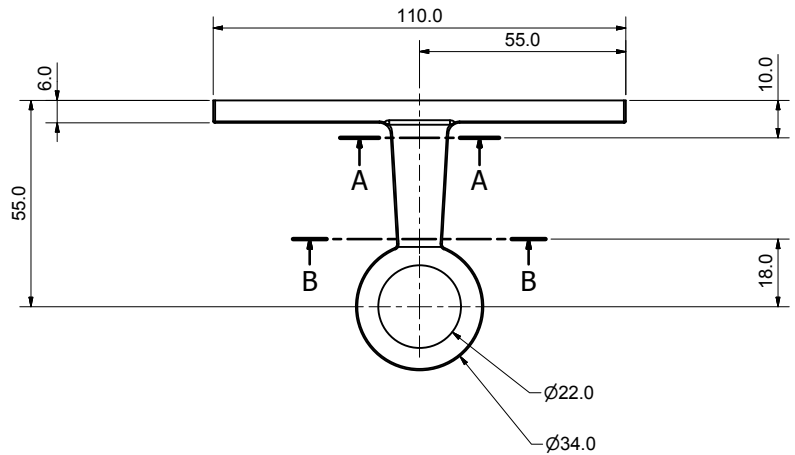
NFK's medium duty spider range are suitable for mid weight applications, in both vertical and horizontal glazing.

Single arm fin spiders can be used to fix individual panels of glass or to support the mid-span of larger sheets.

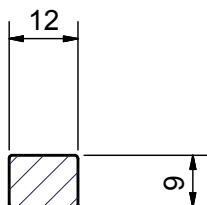
High quality finish in either satin or mirror polish.

Cast in 316 stainless steel or higher.

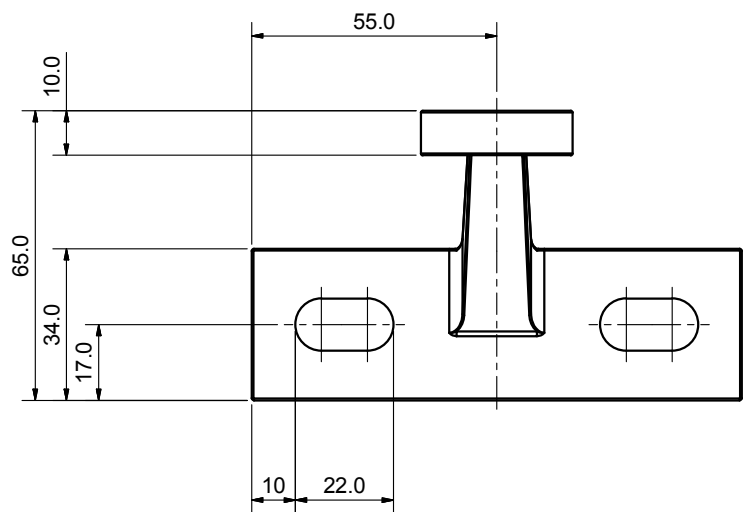
Point fixing options and technical guidance or full engineering is available.



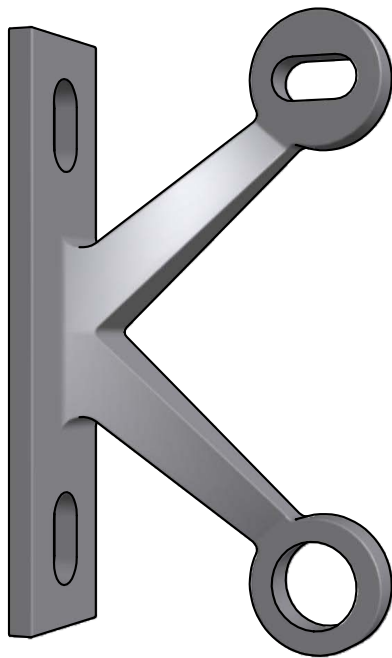
SECTION-A-A



SECTION-B-B



Description	Code
Fin Spider Single Arm Medium 90°, Satin Finish	41-1002.01.77
Fin Spider Single Arm Medium 90°, Polished Finish	41-1002.01.99



### Fin Spider Medium Duty 2 Arm 45°

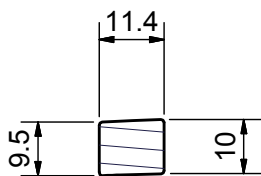
NFK's medium duty spider range are suitable for mid weight applications, in both vertical and horizontal glazing.

Two arm fin spiders can be used to fix corners of two individual pieces of glass, either under/over or side by side.

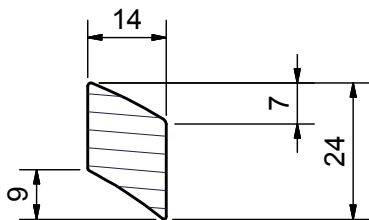
High quality finish in either satin or mirror polish.

Cast in 316 stainless steel or higher.

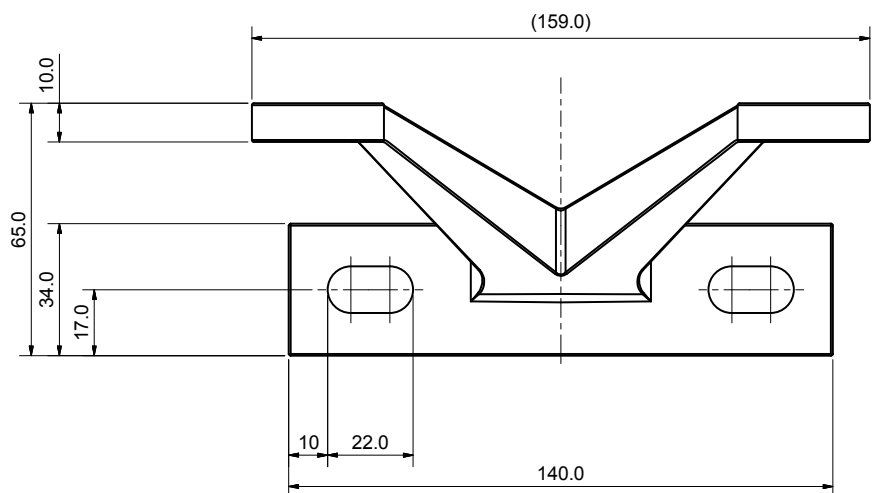
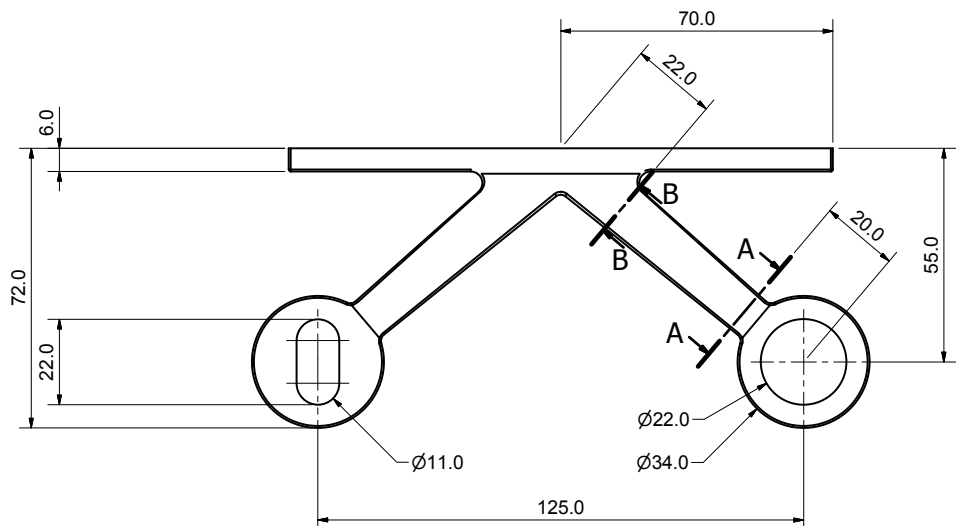
Point fixing options and technical guidance or full engineering is available.



SECTION-A-A



SECTION-B-B



Description	Code
Fin Spider Two Arm Medium, Satin Finish	41-1002.04.77
Fin Spider Two Arm Medium, Polished Finish	41-1002.04.99