



FRAMELESS SHOWER SCREEN HARDWARE

CATALOGUE

✓ Glass door hinges




NFK Shower Screen Hardware

Discover our full shower screen hardware range in our catalogue. NFK offers a wide selection of shower hinges. Our selection of hinges includes economical trade ranges, covered by a manufacturer three three-year warranty, through to our premium ranges covered by either a five or seven-year warranty. Operating for more than 40 years, we work with long-term reliable manufacturers who maintain extremely high production standards.

NFK Glazing
& Industrial Supplies

www.nfk.com.au

 28 Devlan Street,
Mansfield, QLD 4122

 07 3343 3377

 sales@nfk.com.au

 42 Tacoma Circuit,
Canning Vale, WA 6155

 08 9455 3866

 wasales@nfk.com.au



CONTENTS

X1 Series - Trade Hinges Range	06
Wall to Glass Hinge 90° Full Back Plate.....	07
Wall to Glass Hinge 90° Offset Back Plate.....	08
Glass to Glass Hinge 90°	09
Glass to Glass Hinge 135°.....	10
Glass to Glass Hinge 180°	11
X1U Series - Trade Hinges Range.....	12
Wall to Glass Hinge 90° with Full Back Plate.....	13
Wall to Glass Hinge 90° with Offset Back Plate.....	14
Glass to Glass Hinge 90°	15
Glass to Glass Hinge 135°.....	16
Glass to Glass Hinge 180°	17
T7 Series - Premium Quality Hinges.....	18
Wall to Glass Hinge 90° with Full Back Plate.....	19
Wall to Glass Hinge 90° with Offset Back Plate.....	20
Glass to Glass 90°	21
Glass to Glass Hinge 135°.....	22
Glass to Glass 180°	23
T9 Series - Premium Quality Heavy Duty Hinges.....	24
Wall to Glass Hinge 90° Full Back Plate.....	25
Wall to Glass Hinge 90° Offset Back Plate	26
Glass to Glass Hinge 90°	27
Glass to Glass Hinge 135°	28
Glass to Glass Hinge 180°	29
XT2 Hinges Series - Micro-hinges for small doors.....	30
Wall to Glass 90° Hinge with Full Back Plate	31
Wall to Glass 90° Hinge with Offset Back Plate	32
Glass to Glass Hinge 180°	33
MicroFlex Hinges Series - Italian Adjustable Micro-Hinges.....	34
Wall to Glass Hinge 90° with Full Back Plate.....	35
Wall to Glass Hinge 90° with Offset Back Plate.....	36
Glass to Glass Hinge 90°	37
Glass to Glass Hinge 135°	38
Glass to Glass Hinge 180°	39



BiFold-S series.....40

BiFold-S Wall to Glass Offset Free-Swinging 41

BiFold-S Glass to Glass 180° Free-Swinging 42

BiFold-R series 43

BiFold-R Wall to Glass Free Swing 44

BiFold Glass to Glass Free Swing 45

BiFold Wall to Glass Bracket Round Profile 46

C8 Pivot Hinge Square Profile 47



X1 SERIES

TRADE HINGES RANGE

- ✓ High-quality manufactured hinges with durable finish
- ✓ Suits Rabbit Ear cut-out
- ✓ Suitable for 8-10 mm glass thickness

Hinges Capacities

Number of hinges on one door	Max. weight	Max. width
2	35kg	710mm
3	54kg	810mm

NFK Glazing
& Industrial Supplies

www.nfk.com.au

📍 28 Devlan Street,
Mansfield, QLD 4122

☎ 07 3343 3377

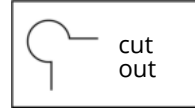
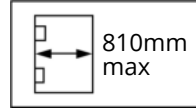
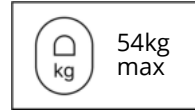
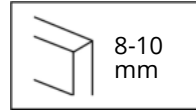
✉ sales@nfk.com.au

📍 42 Tacoma Circuit,
Canning Vale, WA 6155

☎ 08 9455 3866

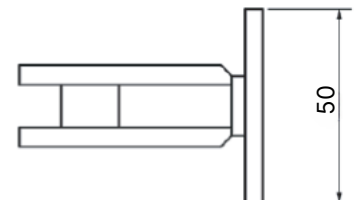
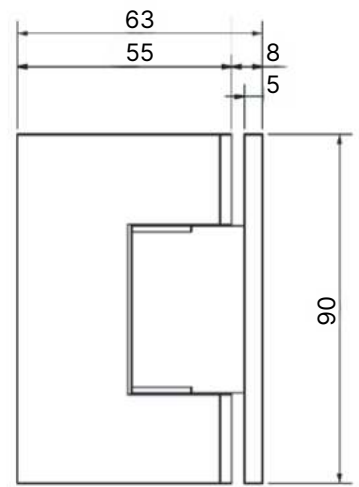
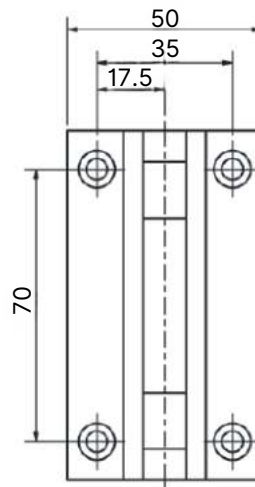
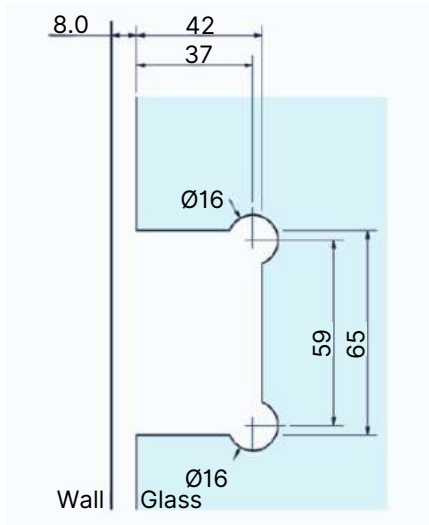
✉ wasales@nfk.com.au

X1 Wall to Glass 90° Full Back Plate



High-quality square wall to glass hinge with full back plate

FINISH	CODE
Chrome	19-SH/052C
Matt Black	19-SH/052MB
Brushed Nickel	19-SH/052BN
Other finishes	Contact NFK



NFK Glazing
& Industrial Supplies

www.nfk.com.au

28 Devlan Street,
Mansfield, QLD 4122

07 3343 3377

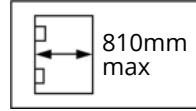
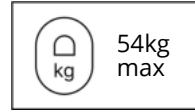
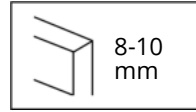
sales@nfk.com.au

42 Tacoma Circuit,
Canning Vale, WA 6155

08 9455 3866

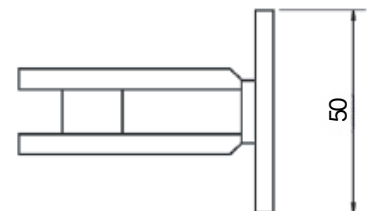
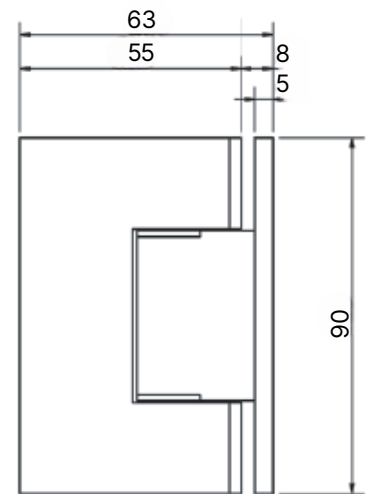
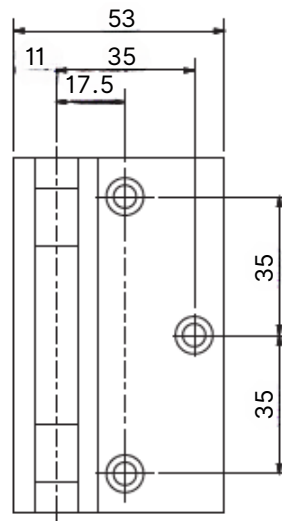
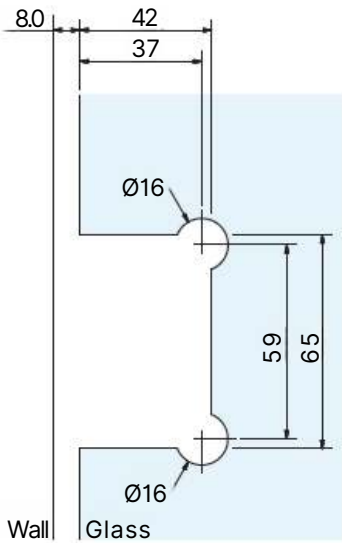
wasales@nfk.com.au

X1 Wall to Glass 90° Offset Back Plate



High-quality square wall to glass hinge with offset back plate

FINISH	CODE
Chrome	19-SH/051C
Matt Black	19-SH/051MB
Brushed Nickel	19-SH/051BN
Other finishes	Contact NFK



NFK Glazing
& Industrial Supplies

www.nfk.com.au

28 Devlan Street,
Mansfield, QLD 4122

07 3343 3377

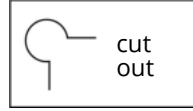
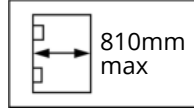
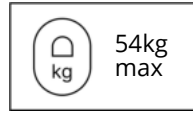
sales@nfk.com.au

42 Tacoma Circuit,
Canning Vale, WA 6155

08 9455 3866

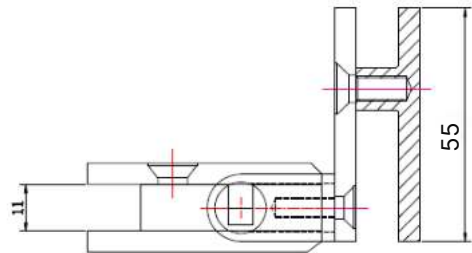
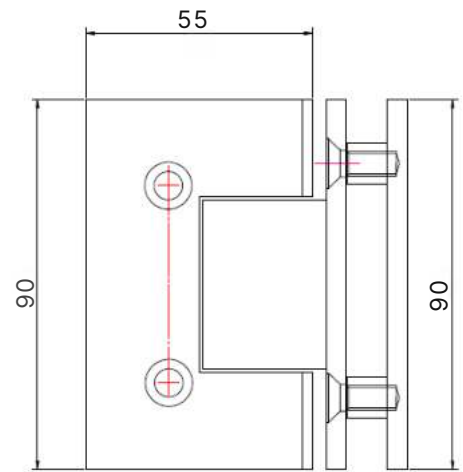
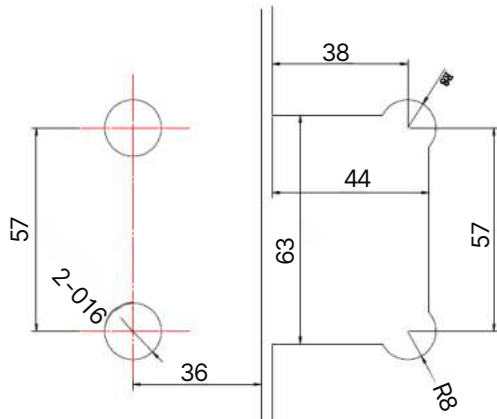
wasales@nfk.com.au

X1 Glass to Glass 90°



High-quality square glass to glass hinge 90°

FINISH	CODE
Chrome	19-SH/054C
Matt Black	19-SH/054MB
Gold	Contact NFK
Satin Chrome	Contact NFK
Other finishes	Contact NFK



NFK Glazing
& Industrial Supplies

www.nfk.com.au

28 Devlan Street,
Mansfield, QLD 4122

07 3343 3377

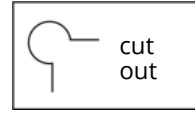
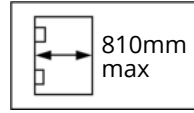
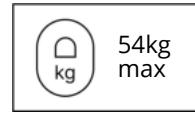
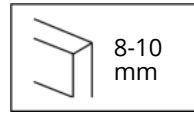
sales@nfk.com.au

42 Tacoma Circuit,
Canning Vale, WA 6155

08 9455 3866

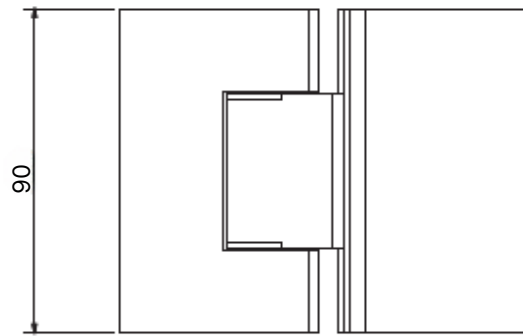
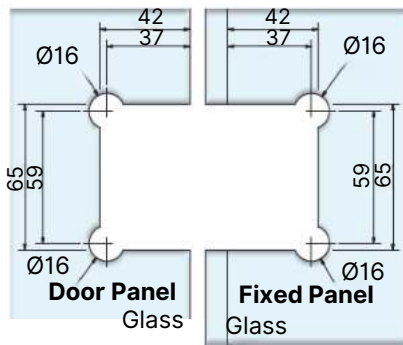
wasales@nfk.com.au

X1 Glass to Glass 135°

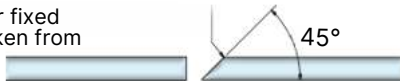


High-quality square glass to glass hinge 135°

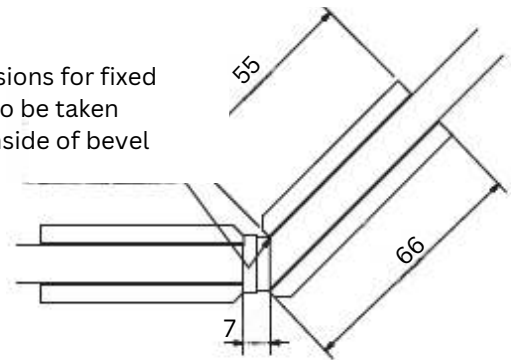
FINISH	CODE
Chrome	19-SH/053C
Matt Black	19-SH/053MB
Brushed Nickel	19-SH/053BN
Gold	Contact NFK
Satin Chrome	Contact NFK
Other finishes	Contact NFK



Dimensions for fixed panel to be taken from inside of bevel



Dimensions for fixed panel to be taken from inside of bevel



NFK Glazing
& Industrial Supplies

www.nfk.com.au

28 Devlan Street,
Mansfield, QLD 4122

07 3343 3377

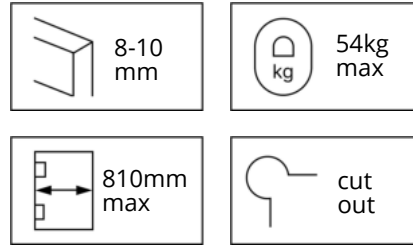
sales@nfk.com.au

42 Tacoma Circuit,
Canning Vale, WA 6155

08 9455 3866

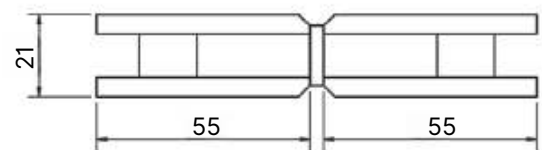
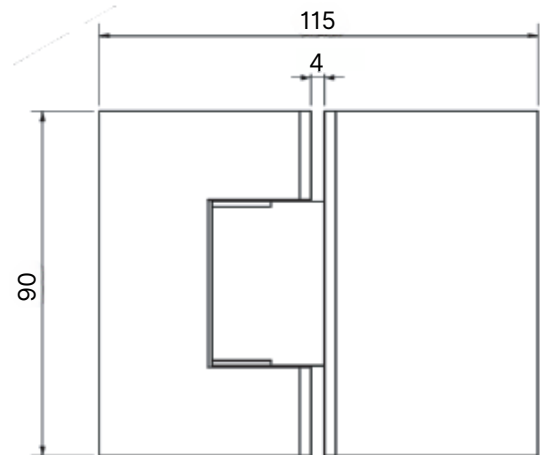
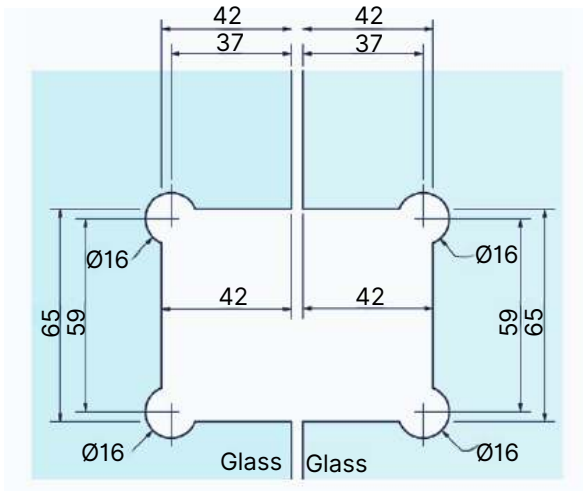
wasales@nfk.com.au

X1 Glass to Glass 180°



High-quality square glass to glass hinge 180°

FINISH	CODE
Chrome	19-SH/050C
Matt Black	19-SH/050MB
Brushed Nickel	19-SH/050BN
Gold	Contact NFK
Satin Chrome	Contact NFK
Other finishes	Contact NFK



NFK Glazing
& Industrial Supplies

www.nfk.com.au

28 Devlan Street,
Mansfield, QLD 4122

07 3343 3377

sales@nfk.com.au

42 Tacoma Circuit,
Canning Vale, WA 6155

08 9455 3866

wasales@nfk.com.au



X1U SERIES

TRADE HINGES RANGE

- ✓ High-quality manufactured hinges with durable finish
- ✓ Suits U-shape cut-out
- ✓ Suitable for 8-10 mm glass thickness

Hinges Capacities

Number of hinges on one door	Max. weight	Max. width
2	35kg	710mm
3	54kg	810mm

NFK Glazing
& Industrial Supplies

www.nfk.com.au

📍 28 Devlan Street,
Mansfield, QLD 4122

☎ 07 3343 3377

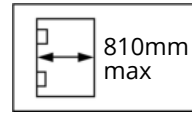
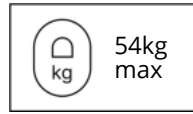
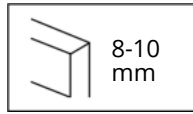
✉ sales@nfk.com.au

📍 42 Tacoma Circuit,
Canning Vale, WA 6155

☎ 08 9455 3866

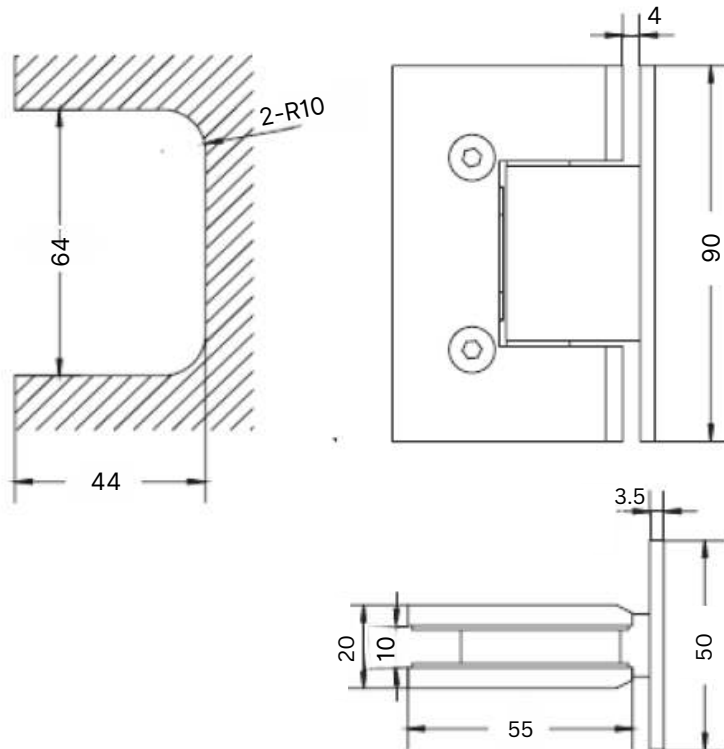
✉ wasales@nfk.com.au

X1U Wall to Glass 90° Full Back Plate



- High-quality square wall to glass hinge 90° with full back plate
- Recommended wall-to-glass clearance - 8mm

FINISH	CODE
Chrome	19-SH/025C
Matt Black	19-SH/025MB
Brushed Nickel	19-SH/025BN
Other finishes	Contact NFK



NFK Glazing
& Industrial Supplies

www.nfk.com.au

28 Devlan Street,
Mansfield, QLD 4122

07 3343 3377

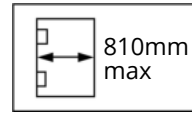
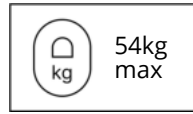
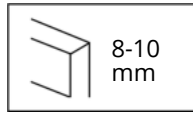
sales@nfk.com.au

42 Tacoma Circuit,
Canning Vale, WA 6155

08 9455 3866

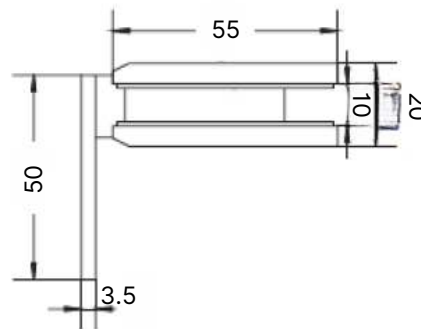
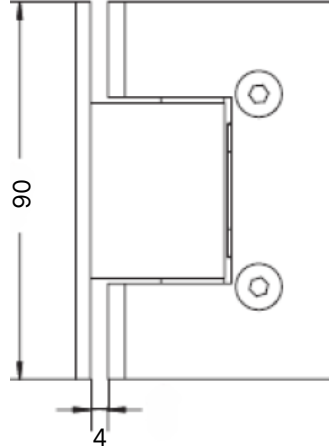
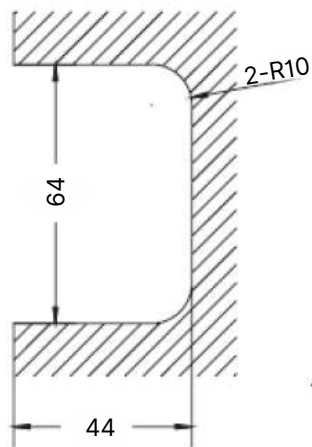
wasales@nfk.com.au

X1U Wall to Glass 90° Offset Back Plate



- High-quality square wall-to-glass hinge 90° with offset back plate
- Recommended wall-to-glass clearance - 8mm

FINISH	CODE
Chrome	19-SH/024C
Matt Black	19-SH/024MB
Brushed Nickel	19-SH/024BN
Brushed Gold	19-SH/024BG
Other finishes	Contact NFK



NFK Glazing
& Industrial Supplies

www.nfk.com.au

28 Devlan Street,
Mansfield, QLD 4122

07 3343 3377

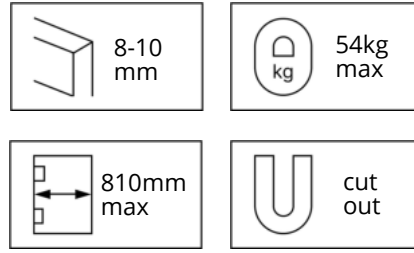
sales@nfk.com.au

42 Tacoma Circuit,
Canning Vale, WA 6155

08 9455 3866

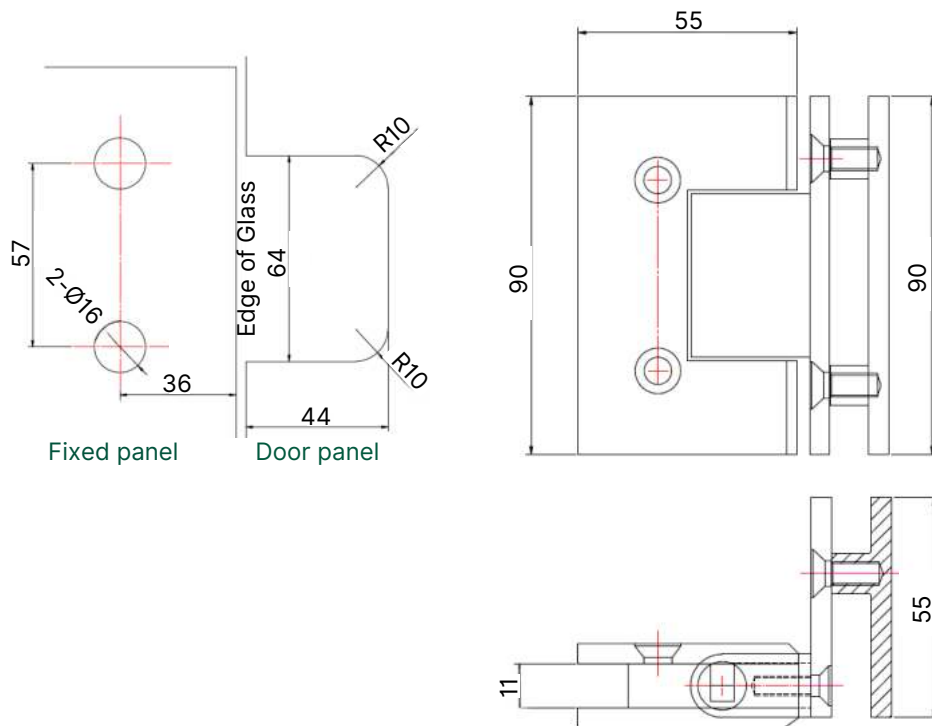
wasales@nfk.com.au

X1U Glass to Glass 90°



High-quality square glass-to-glass hinge 90°

FINISH	CODE
Chrome	19-SH/028C
Matt Black	19-SH/028MB
Brushed Nickel	Contact NFK
Gold	Contact NFK
Other finishes	Contact NFK



NFK Glazing
& Industrial Supplies

www.nfk.com.au

28 Devlan Street,
Mansfield, QLD 4122

07 3343 3377

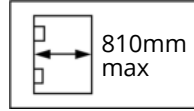
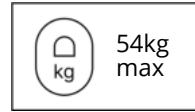
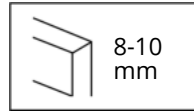
sales@nfk.com.au

42 Tacoma Circuit,
Canning Vale, WA 6155

08 9455 3866

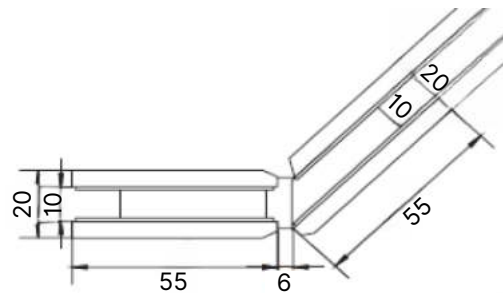
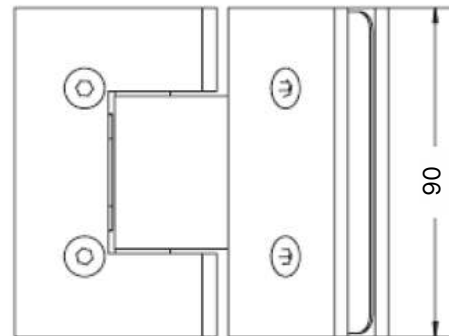
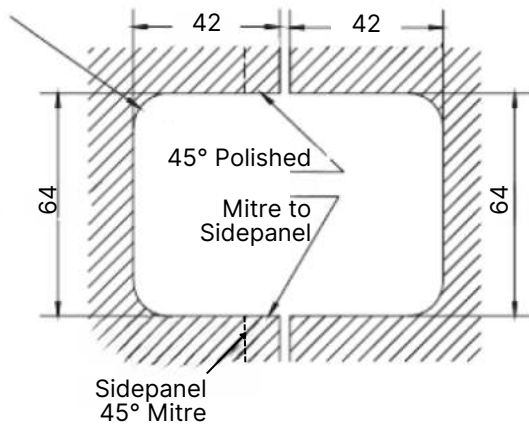
wasales@nfk.com.au

X1U Glass to Glass 135°



High-quality square glass-to-glass hinge 135°

FINISH	CODE
Chrome	19-SH/027C
Matt Black	19-SH/027MB
Brushed Nickel	19-SH/027BN
Gold	Contact NFK
Satin Chrome	Contact NFK
Other finishes	Contact NFK



NFK Glazing
& Industrial Supplies

www.nfk.com.au

28 Devlan Street,
Mansfield, QLD 4122

07 3343 3377

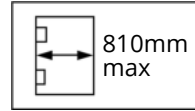
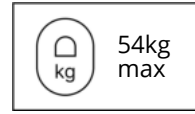
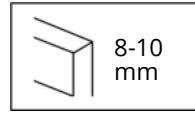
sales@nfk.com.au

42 Tacoma Circuit,
Canning Vale, WA 6155

08 9455 3866

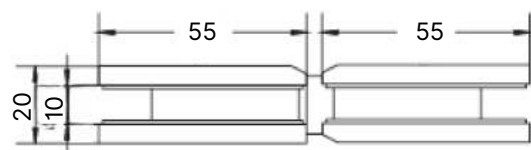
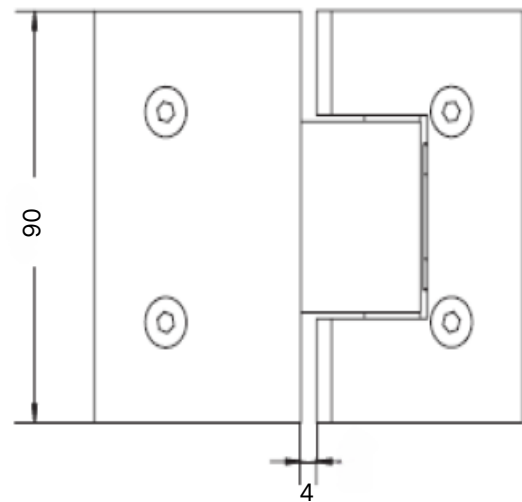
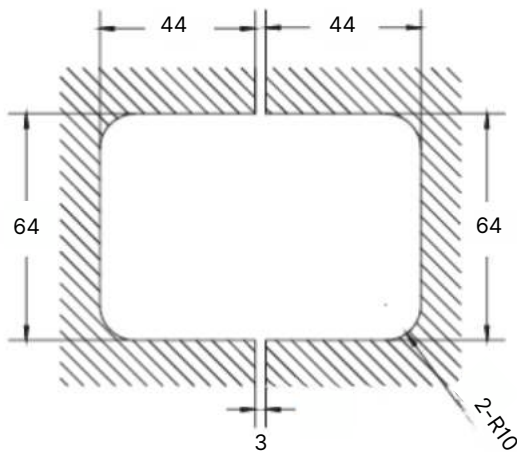
wasales@nfk.com.au

X1U Glass to Glass 180°



High-quality square glass-to-glass hinge 180°

FINISH	CODE
Chrome	19-SH/026C
Matt Black	19-SH/026MB
Brushed Nickel	19-SH/026BN
Brushed Gold	19-SH/026BG
Satin Chrome	Contact NFK
Other finishes	Contact NFK



NFK Glazing
& Industrial Supplies

www.nfk.com.au

28 Devlan Street,
Mansfield, QLD 4122

07 3343 3377

sales@nfk.com.au

42 Tacoma Circuit,
Canning Vale, WA 6155

08 9455 3866

wasaless@nfk.com.au



T7 SERIES

PREMIUM QUALITY HINGES

- ✓ Premium quality components and surface finish for longer durability and excellent performance
- ✓ Suits Rabbit Ear cut-out
- ✓ Suitable for 8-10 mm glass thickness

Hinges Capacities

Number of hinges on one door	Max. weight	Max. width
2	35kg	762mm

NFK Glazing
& Industrial Supplies

www.nfk.com.au

📍 28 Devlan Street,
Mansfield, QLD 4122

☎ 07 3343 3377

✉ sales@nfk.com.au

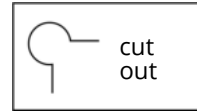
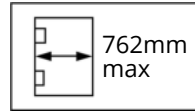
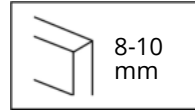
📍 42 Tacoma Circuit,
Canning Vale, WA 6155

☎ 08 9455 3866

✉ wasales@nfk.com.au

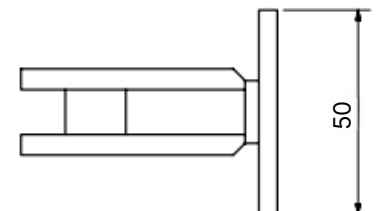
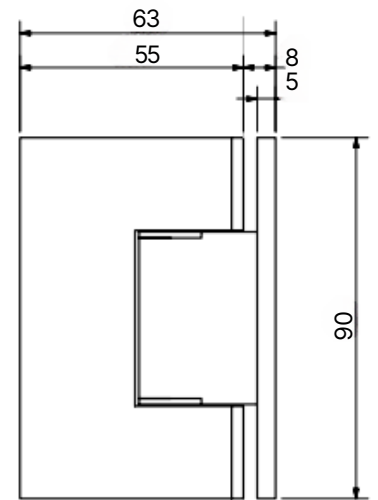
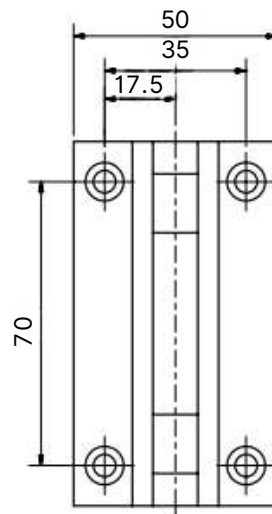
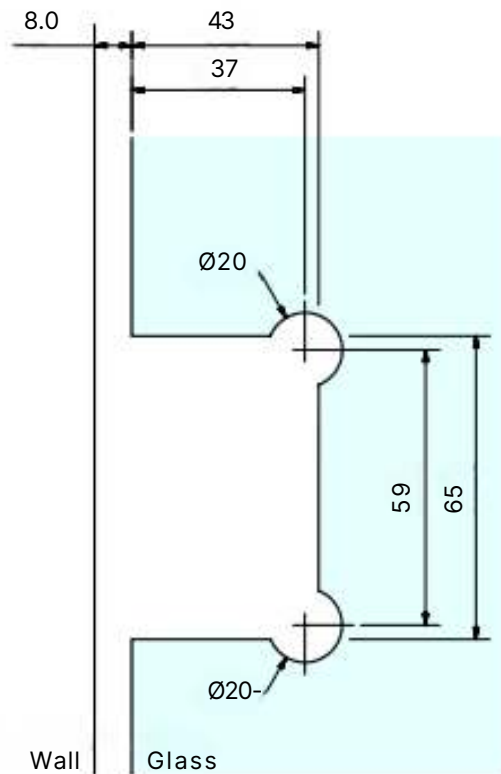


T7 Wall to Glass 90° Full Back Plate



Premium-quality square wall to glass hinge with full back plate

FINISH	CODE
Bright Chrome	19-SH/033C
Other finishes	Contact NFK



NFK Glazing
& Industrial Supplies

www.nfk.com.au

28 Devlan Street,
Mansfield, QLD 4122

07 3343 3377

sales@nfk.com.au

42 Tacoma Circuit,
Canning Vale, WA 6155



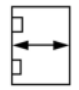

08 9455 3866

wasales@nfk.com.au



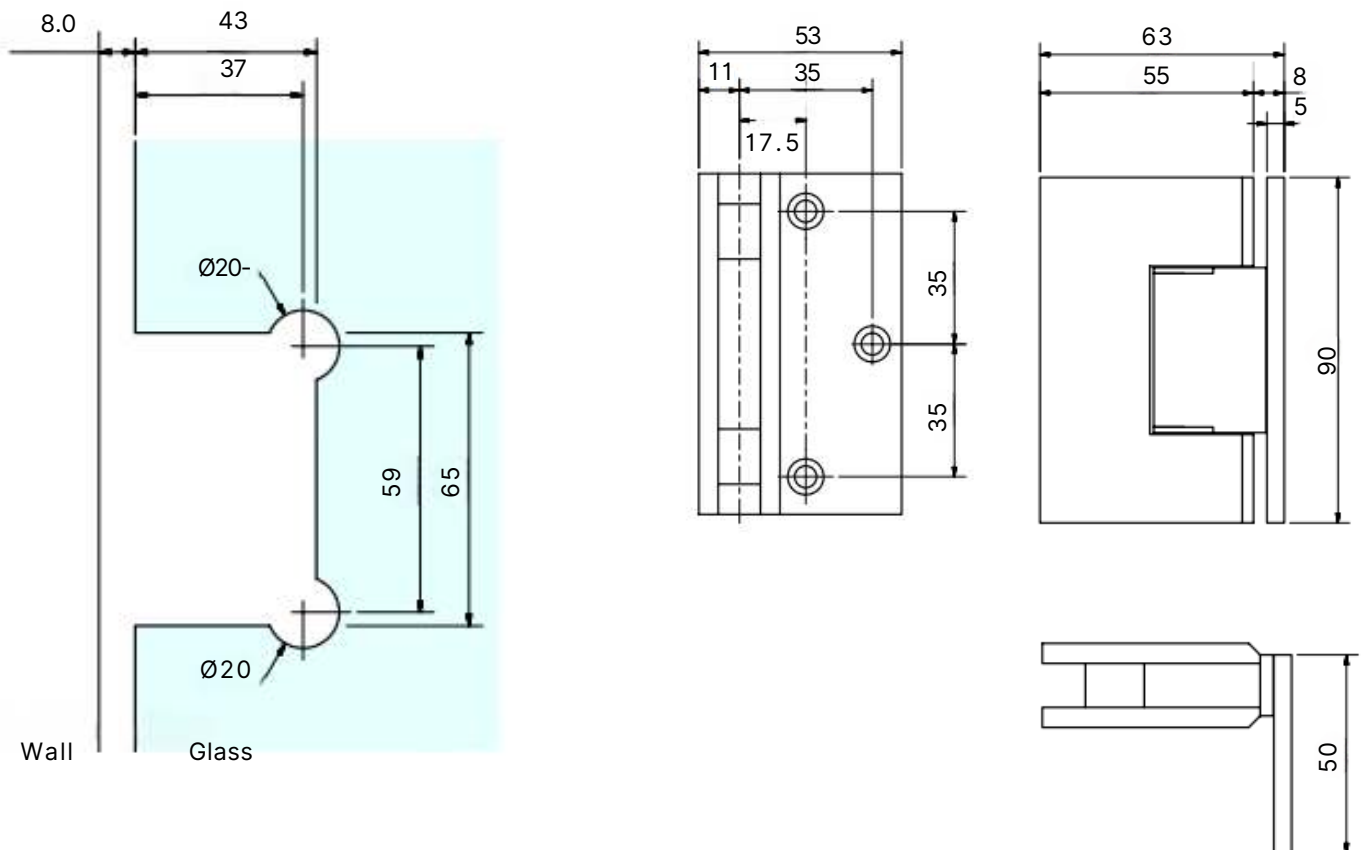
T7 Wall to Glass 90° Offset Back Plate



 8-10 mm	 35kg max
 762mm max	 cut out


Premium-quality square wall to glass hinge with offset back plate

FINISH	CODE
Bright Chrome	19-SH/034C
Other finishes	Contact NFK



NFK Glazing
& Industrial Supplies


www.nfk.com.au

 28 Devlan Street,
Mansfield, QLD 4122

 07 3343 3377

 sales@nfk.com.au

 42 Tacoma Circuit,
Canning Vale, WA 6155

 08 9455 3866

 wasales@nfk.com.au



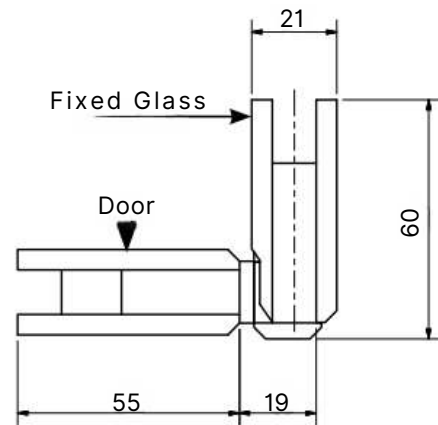
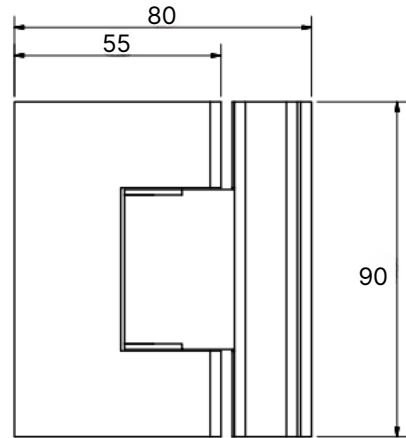
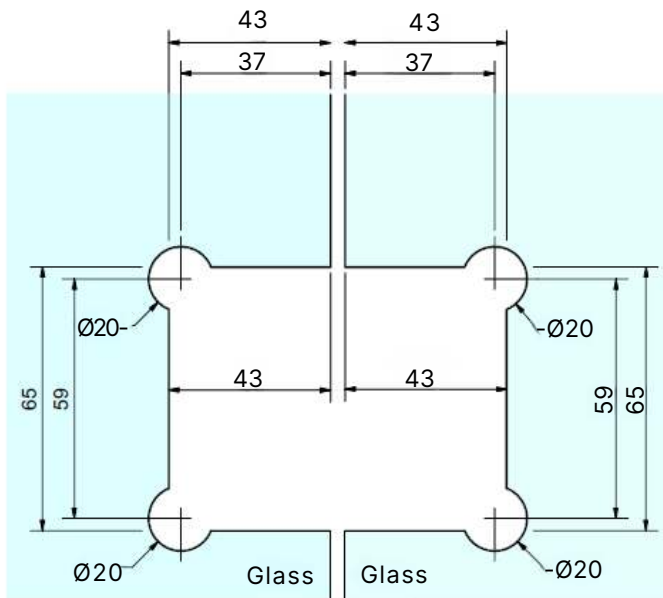
T7 Glass to Glass 90°



8-10 mm	35kg max
762mm max	cut out

Premium quality square glass to glass hinge 90°

FINISH	CODE
Bright Chrome	19-SH/037C
Other finishes	Contact NFK



NFK Glazing & Industrial Supplies

www.nfk.com.au

28 Devlan Street, Mansfield, QLD 4122

07 3343 3377

sales@nfk.com.au

42 Tacoma Circuit, Canning Vale, WA 6155





08 9455 3866

wasales@nfk.com.au



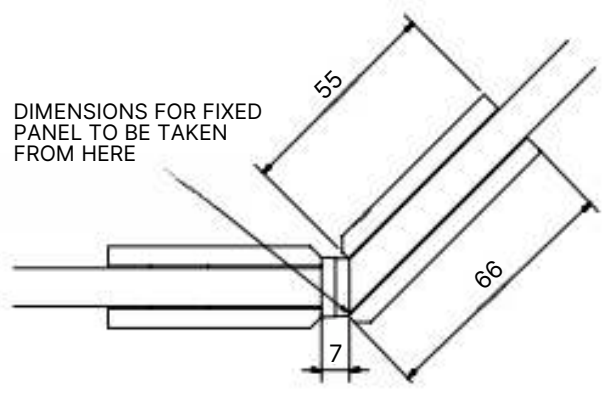
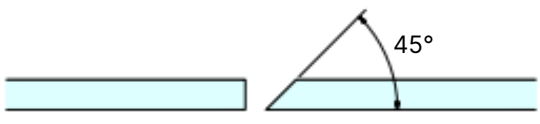
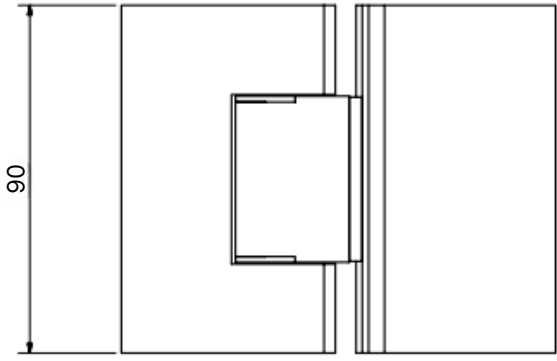
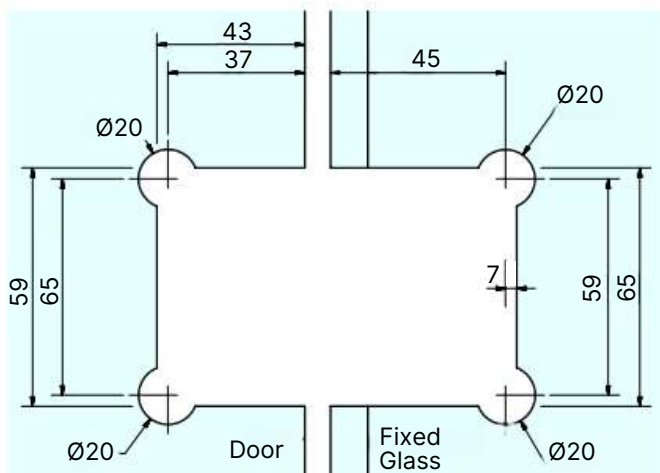
T7 Glass to Glass 135°



 8-10 mm	 35kg max
 762mm max	 cut out

Premium quality square glass to glass hinge 135°

FINISH	CODE
Bright Chrome	19-SH/036
Other finishes	Contact NFK



NFK Glazing & Industrial Supplies

www.nfk.com.au

28 Devlan Street, Mansfield, QLD 4122

07 3343 3377

sales@nfk.com.au

42 Tacoma Circuit, Canning Vale, WA 6155





08 9455 3866

wasales@nfk.com.au



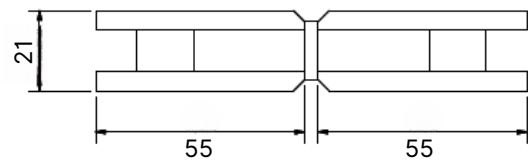
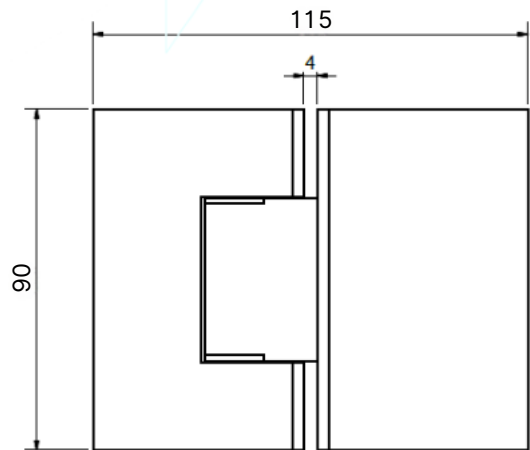
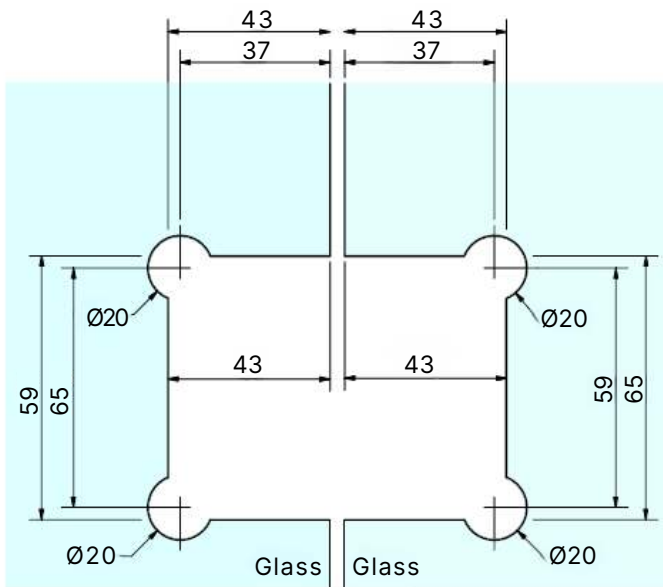
T7 Glass to Glass 180°



 8-10 mm	 35kg max
 762mm max	 cut out


Premium quality square glass to glass hinge 180°

FINISH	CODE
Bright Chrome	19-SH/035C
Other finishes	Contact NFK



NFK Glazing
& Industrial Supplies


www.nfk.com.au

 28 Devlan Street,
Mansfield, QLD 4122

 07 3343 3377

 sales@nfk.com.au

 42 Tacoma Circuit,
Canning Vale, WA 6155

 08 9455 3866

 wasaless@nfk.com.au



T9 SERIES

DESIGNED TO ENDURE.

PREMIUM QUALITY
HEAVY DUTY HINGES

- ✓ Superior quality, and heavy-duty strength
- ✓ Suitable for 10mm-12mm glass thickness

- ✓ 6mm plate thickness
- ✓ Suits U-shape cut-out

Hinges Capacities

Number of hinges on one door	Max. weight	Max. width
2	45kg	762mm
3	68kg	915mm

NFK Glazing
& Industrial Supplies

www.nfk.com.au

📍 28 Devlan Street,
Mansfield, QLD 4122

☎ 07 3343 3377

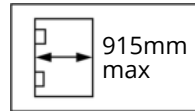
✉ sales@nfk.com.au

📍 42 Tacoma Circuit,
Canning Vale, WA 6155

☎ 08 9455 3866

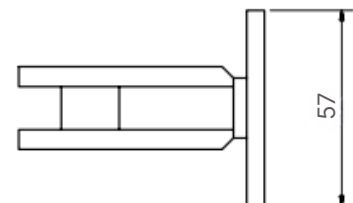
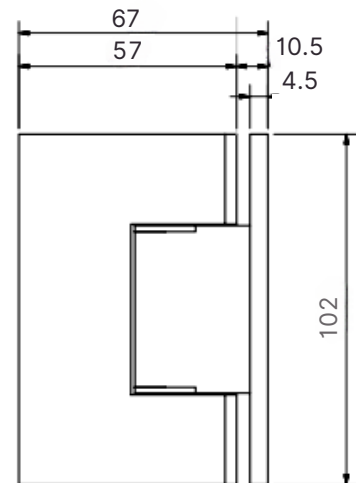
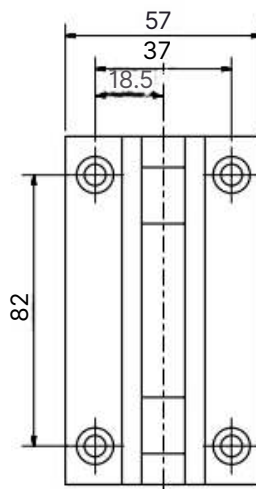
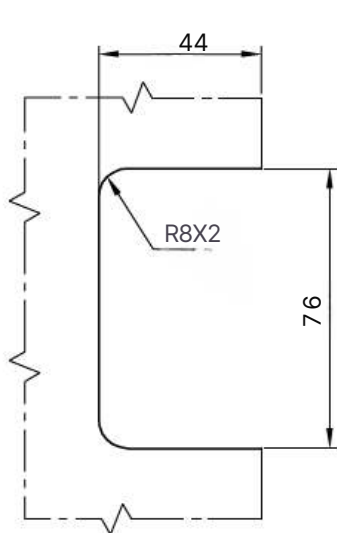
✉ wasales@nfk.com.au

T9 Wall to Glass 90° Full Back Plate



Premium quality square wall to glass hinge with full back plate

FINISH	CODE
Bright Chrome	19-SH/901C
Satin Chrome	Contact NFK
Gold	Contact NFK



NFK Glazing & Industrial Supplies

www.nfk.com.au

28 Devlan Street, Mansfield, QLD 4122

07 3343 3377

sales@nfk.com.au

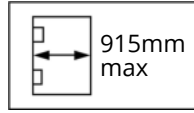
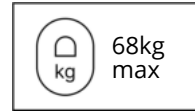
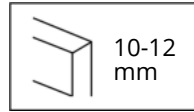
42 Tacoma Circuit, Canning Vale, WA 6155

08 9455 3866

wasales@nfk.com.au

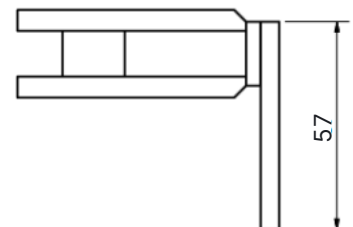
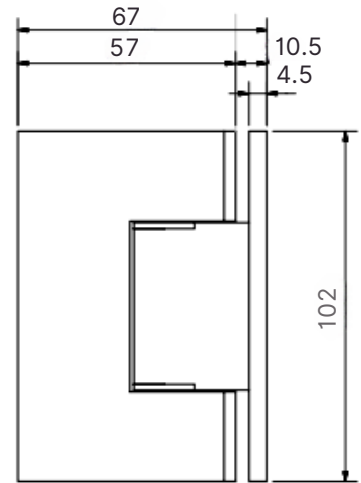
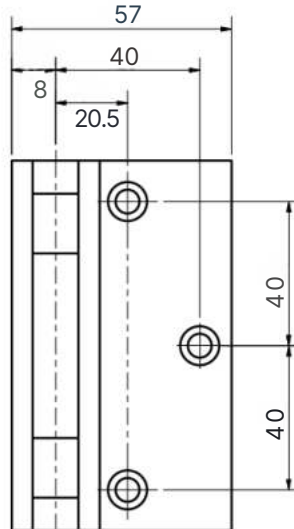
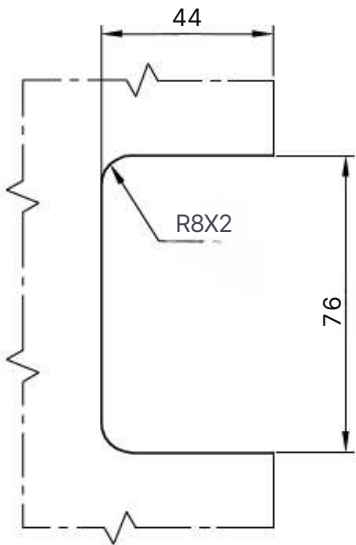


T9 Wall to Glass 90° Offset Back Plate



Premium quality square wall to glass hinge with offset back plate

FINISH	CODE
Bright Chrome	19-SH/900C
Satin Chrome	Contact NFK
Gold	Contact NFK



NFK Glazing
& Industrial Supplies

www.nfk.com.au

28 Devlan Street,
Mansfield, QLD 4122

07 3343 3377

sales@nfk.com.au

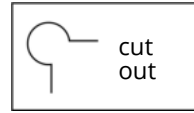
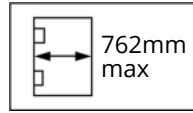
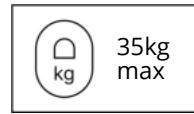
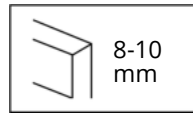
42 Tacoma Circuit,
Canning Vale, WA 6155

08 9455 3866

wasales@nfk.com.au

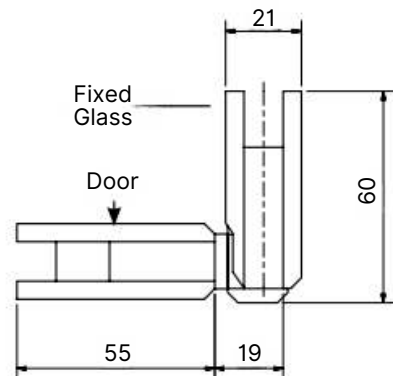
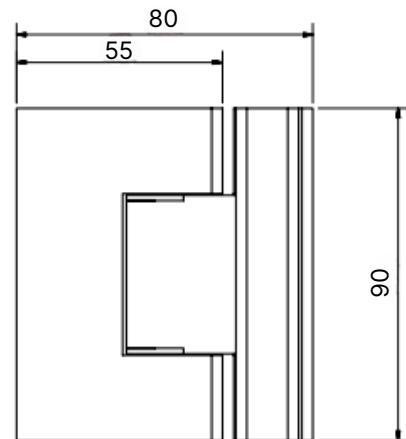
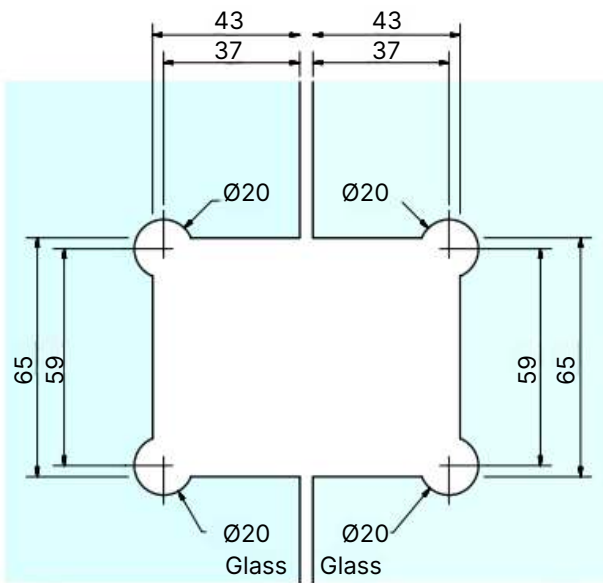


T9 Glass to Glass 90°



Premium quality square glass to glass hinge 90°

FINISH	CODE
Bright Chrome	19-SH/037
Other finishes	Contact NFK



NFK Glazing & Industrial Supplies

www.nfk.com.au

28 Devlan Street, Mansfield, QLD 4122

07 3343 3377

sales@nfk.com.au

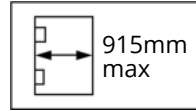
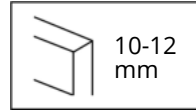
42 Tacoma Circuit, Canning Vale, WA 6155

08 9455 3866

wasaless@nfk.com.au

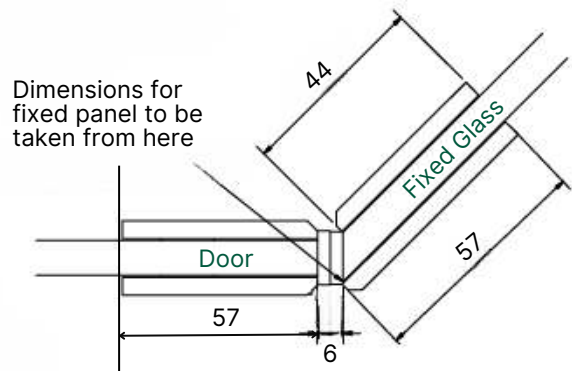
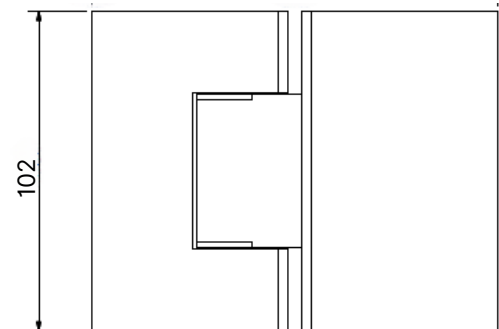
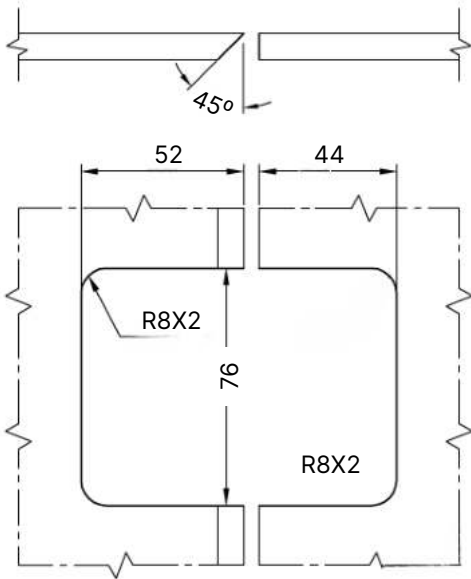


T9 Glass to Glass 135°



Premium quality square glass to glass hinge 135°

FINISH	CODE
Bright Chrome	19-SH/905C
Satin Chrome	Contact NFK
Gold	Contact NFK



NFK Glazing
& Industrial Supplies

www.nfk.com.au

28 Devlan Street,
Mansfield, QLD 4122

07 3343 3377

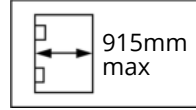
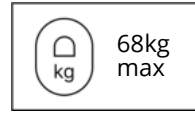
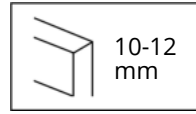
sales@nfk.com.au

42 Tacoma Circuit,
Canning Vale, WA 6155

08 9455 3866

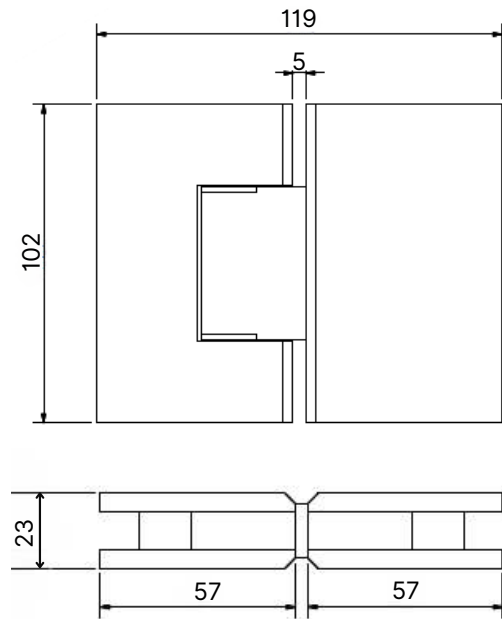
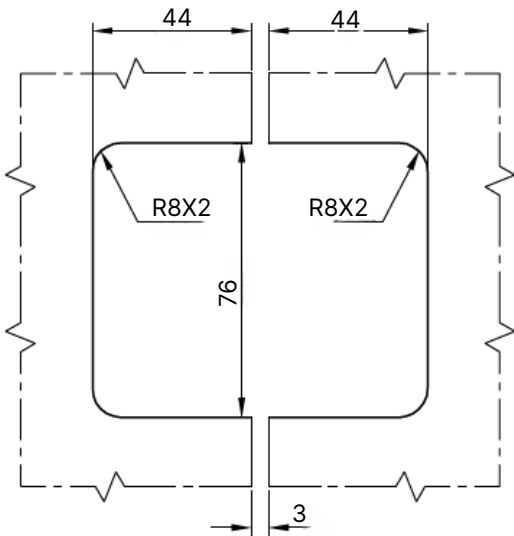
wasales@nfk.com.au

T9 Glass to Glass 180°



Premium quality square glass to glass hinge 180°

FINISH	CODE
Bright Chrome	19-SH/903C
Satin Chrome	Contact NFK
Gold	Contact NFK



NFK Glazing
& Industrial Supplies

www.nfk.com.au

28 Devlan Street,
Mansfield, QLD 4122

07 3343 3377

sales@nfk.com.au

42 Tacoma Circuit,
Canning Vale, WA 6155

08 9455 3866

wasales@nfk.com.au



XT2 SERIES

MICRO-HINGES FOR SMALL
DOORS

- ✓ High-quality manufactured hinges for light-weight doors
- ✓ Suits Rabbit Ear cut-out
- ✓ Suitable for 6-8 mm glass thickness

Hinges Capacities

Number of hinges on one door	Max. weight	Max. width
2	28kg	710mm

NFK Glazing
& Industrial Supplies

www.nfk.com.au

📍 28 Devlan Street,
Mansfield, QLD 4122

☎ 07 3343 3377

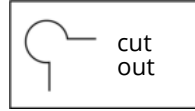
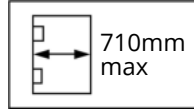
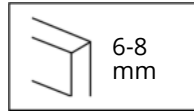
✉ sales@nfk.com.au

📍 42 Tacoma Circuit,
Canning Vale, WA 6155

☎ 08 9455 3866

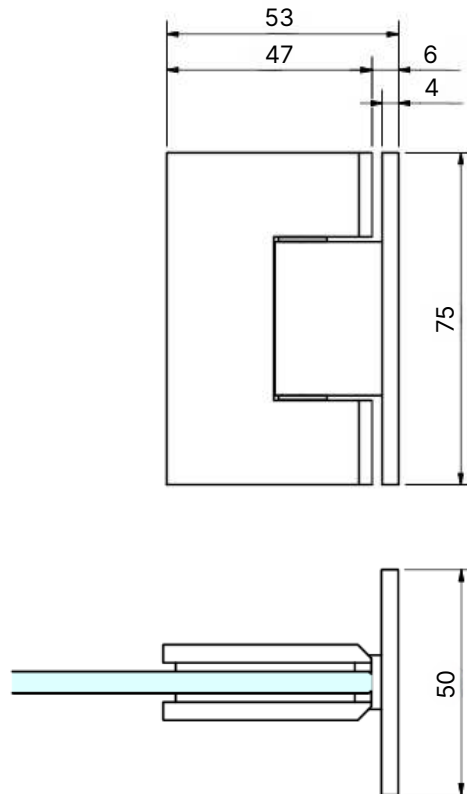
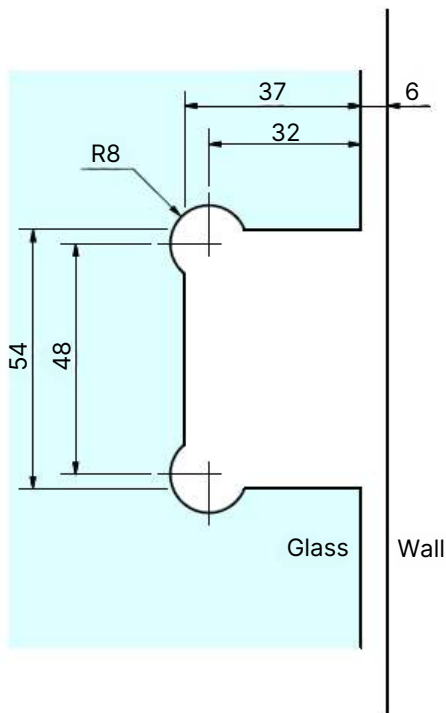
✉ wasaless@nfk.com.au

XT2 Wall to Glass 90° Full Back Plate



High-quality square wall to glass hinge with full back plate

FINISH	CODE
Chrome	19-SH/030
Other finishes	Contact NFK



NFK Glazing
& Industrial Supplies

www.nfk.com.au

28 Devlan Street,
Mansfield, QLD 4122

07 3343 3377

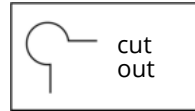
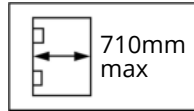
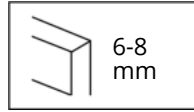
sales@nfk.com.au

42 Tacoma Circuit,
Canning Vale, WA 6155

08 9455 3866

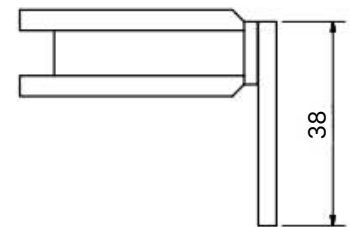
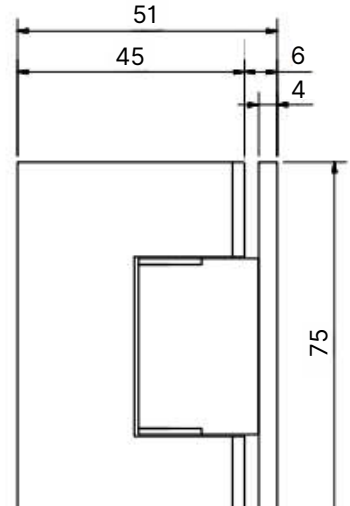
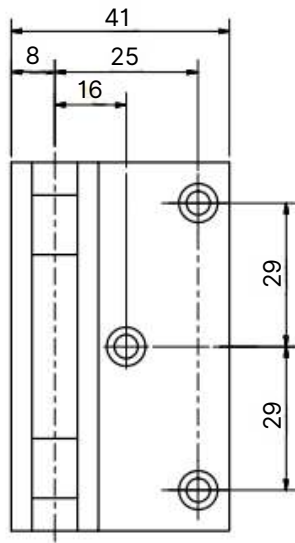
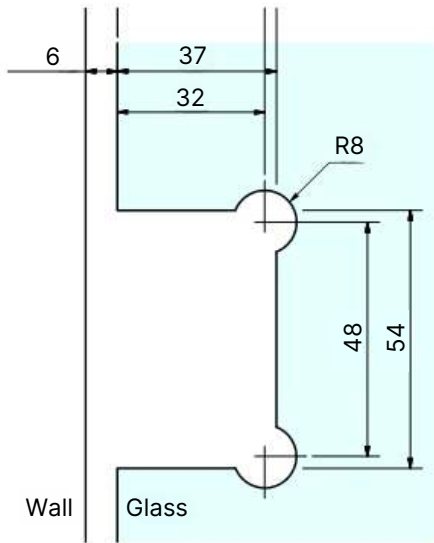
wasaless@nfk.com.au

XT2 Wall to Glass 90° Offset Back Plate



High-quality square wall to glass hinge with offset back plate

FINISH	CODE
Chrome	19-SH/032C
Other finishes	Contact NFK



NFK Glazing & Industrial Supplies

www.nfk.com.au

28 Devlan Street, Mansfield, QLD 4122

07 3343 3377

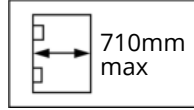
sales@nfk.com.au

42 Tacoma Circuit, Canning Vale, WA 6155

08 9455 3866

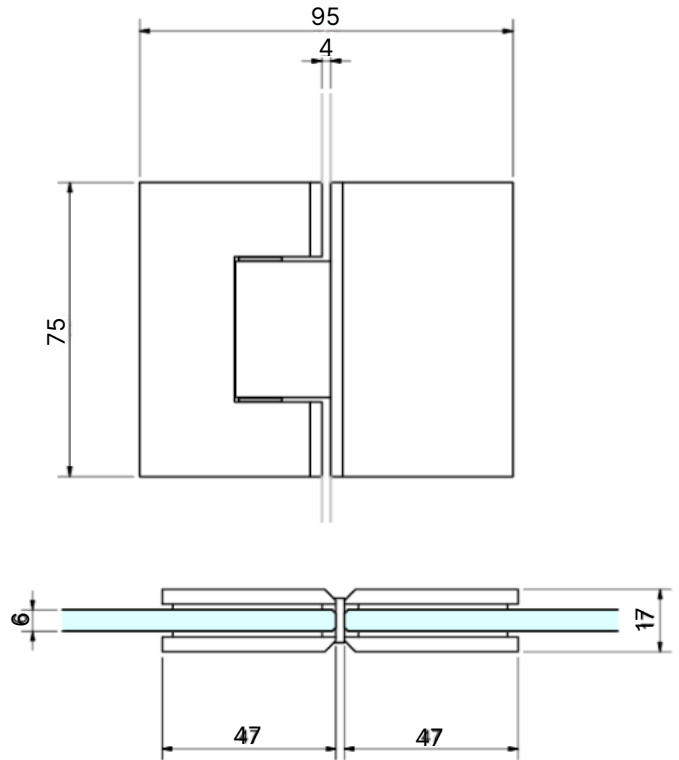
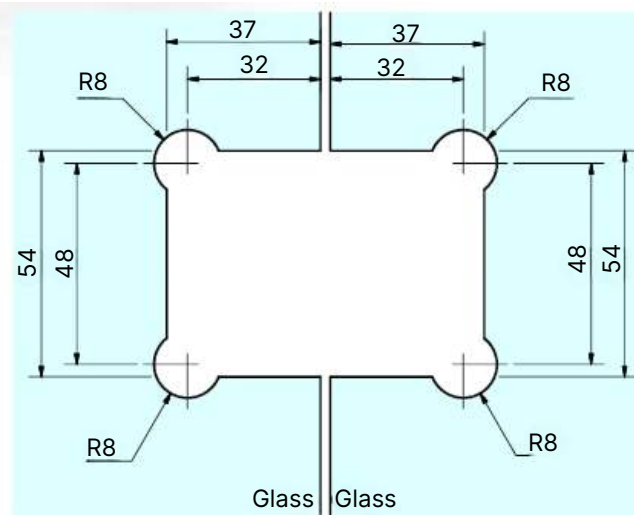
wasales@nfk.com.au

XT2 Glass to Glass 180°



High-quality square wall to glass hinge with offset back plate

FINISH	CODE
Chrome	19-SH/031C
Other finishes	Contact NFK



NFK Glazing
& Industrial Supplies

www.nfk.com.au

28 Devlan Street,
Mansfield, QLD 4122

07 3343 3377

sales@nfk.com.au

42 Tacoma Circuit,
Canning Vale, WA 6155

08 9455 3866

wasaless@nfk.com.au



MICRO-FLEX SERIES

ADJUSTABLE MICRO-HINGES

- ✓ Italian designed and manufactured
- ✓ Closing position can be adjusted with the door hung
- ✓ Suits Rabbit Ear cut-out
- ✓ Suitable for 6-10 mm glass thickness

Hinges Capacities

Number of hinges on one door	Max. weight	Max. width
2	35kg	700mm

NFK Glazing
& Industrial Supplies

www.nfk.com.au

28 Devlan Street,
Mansfield, QLD 4122

07 3343 3377

sales@nfk.com.au

42 Tacoma Circuit,
Canning Vale, WA 6155

08 9455 3866

wasales@nfk.com.au



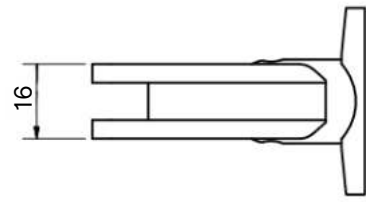
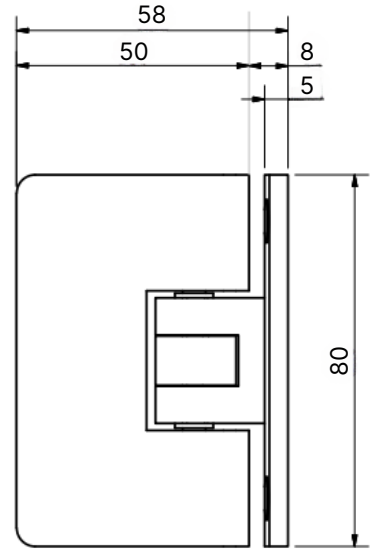
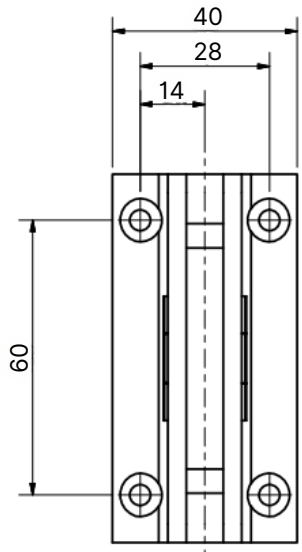
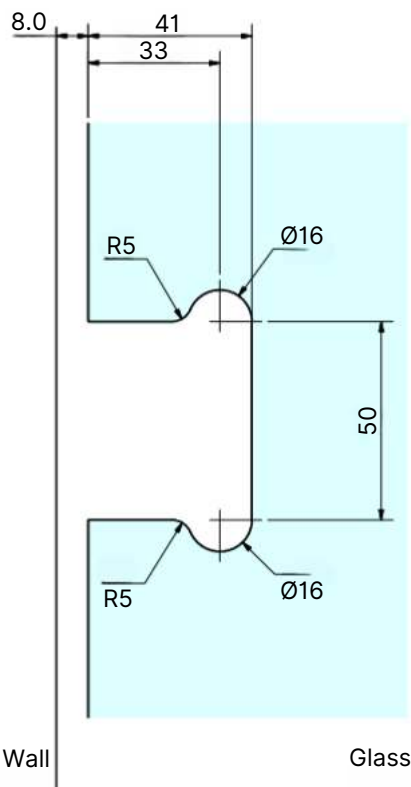
MicroFlex Wall to Glass Full Back Plate



6-10 mm	35kg max
700mm max	cut out

High-quality wall to glass hinge with full back plate

FINISH	CODE
Bright Chrome	19-005
Satin Chrome	19-006
Gold	Contact NFK



NFK Glazing & Industrial Supplies

www.nfk.com.au

28 Devlan Street, Mansfield, QLD 4122

07 3343 3377

sales@nfk.com.au

42 Tacoma Circuit, Canning Vale, WA 6155



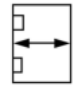

08 9455 3866

wasales@nfk.com.au



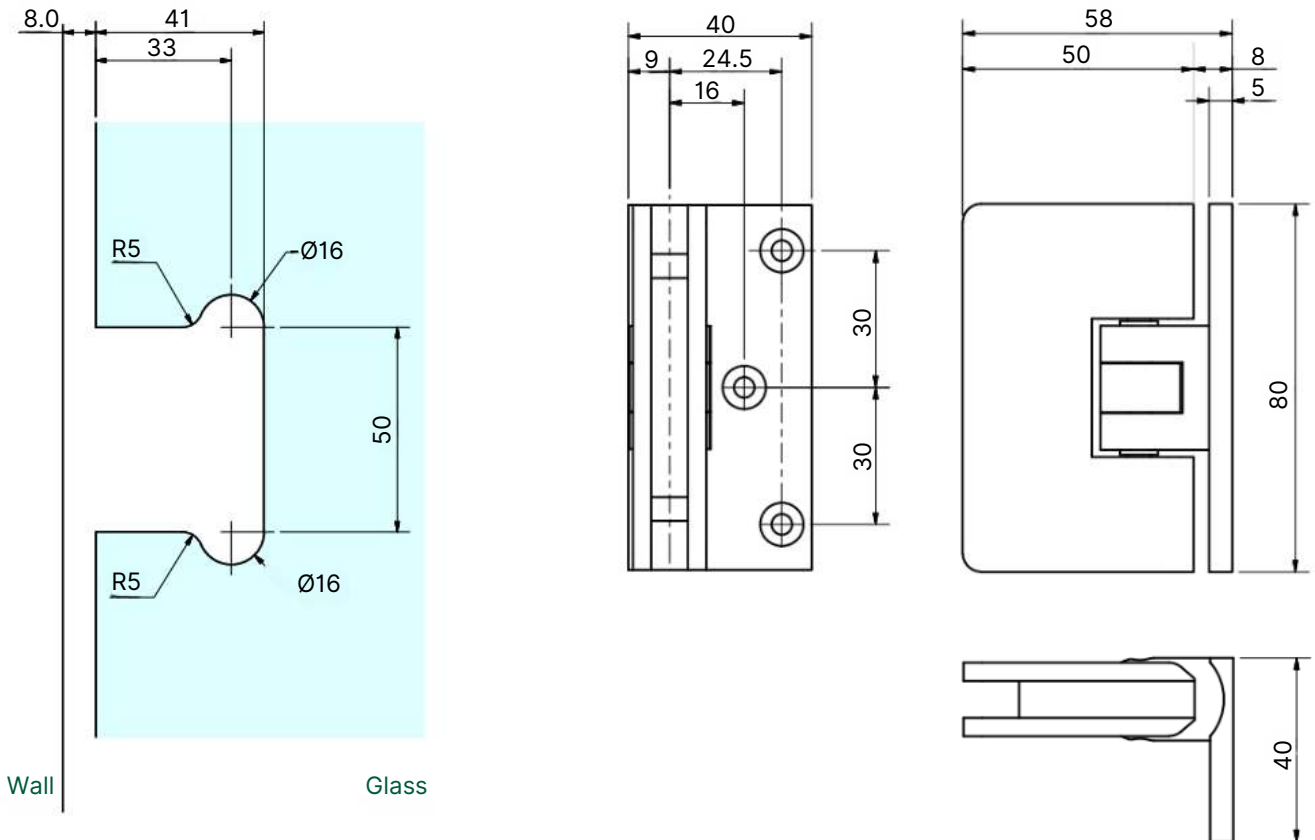
MicroFlex Wall to Glass Offset Back Plate



 6-10 mm	 35kg max
 700mm max	 cut out

High-quality wall to glass hinge with offset back plate

FINISH	CODE
Bright Chrome	19-007
Satin Chrome	19-008
Gold	Contact NFK



NFK Glazing & Industrial Supplies

www.nfk.com.au

28 Devlan Street, Mansfield, QLD 4122

07 3343 3377

sales@nfk.com.au

42 Tacoma Circuit, Canning Vale, WA 6155

08 9455 3866

wasales@nfk.com.au



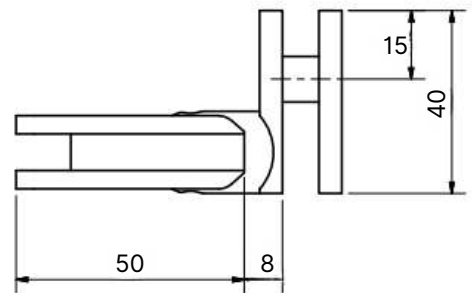
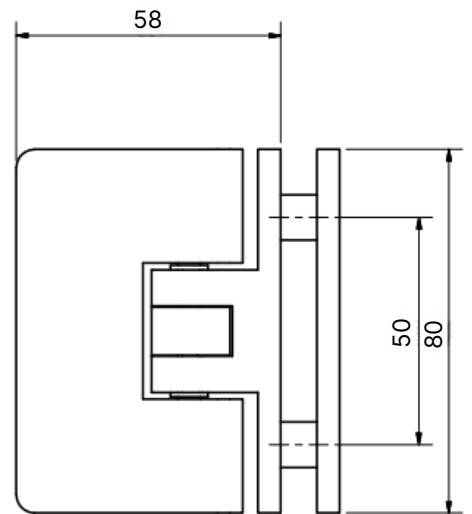
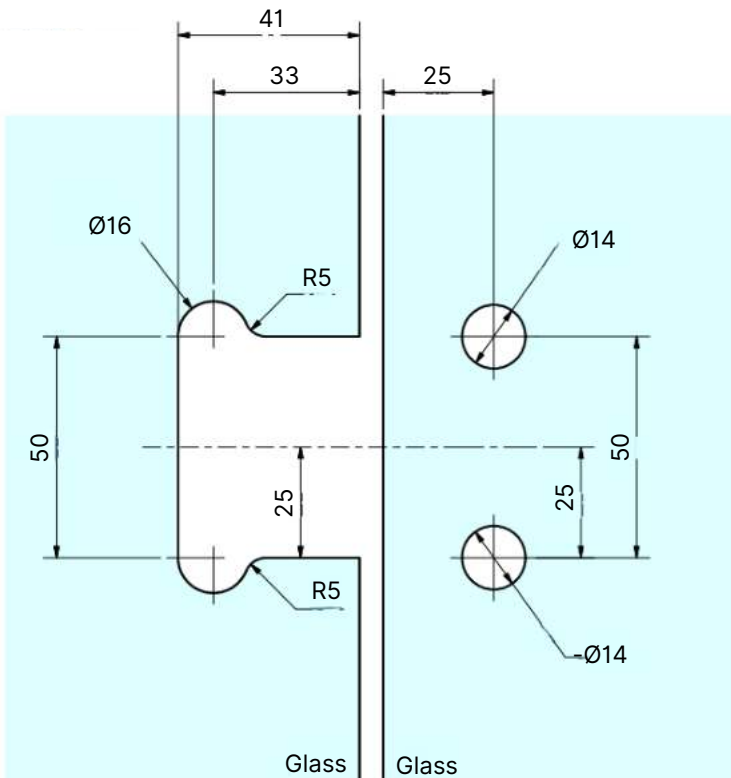
MicroFlex Glass to Glass 90°



6-10 mm	35kg max
700mm max	cut out

High-quality glass-to-glass hinge 90°

FINISH	CODE
Bright Chrome	19-003
Satin Chrome	19-004
Gold	Contact NFK



NFK Glazing & Industrial Supplies

www.nfk.com.au

28 Devlan Street, Mansfield, QLD 4122

07 3343 3377

sales@nfk.com.au

42 Tacoma Circuit, Canning Vale, WA 6155

08 9455 3866

wasaless@nfk.com.au



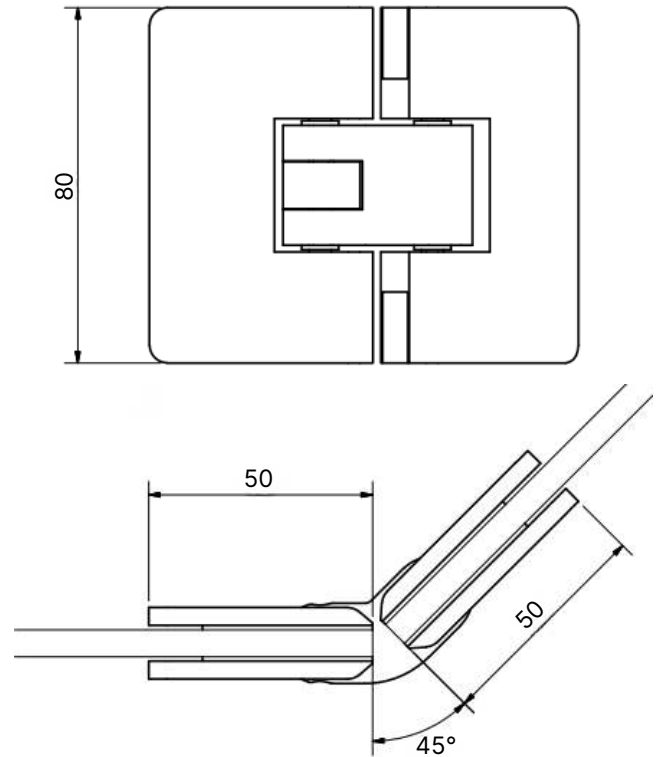
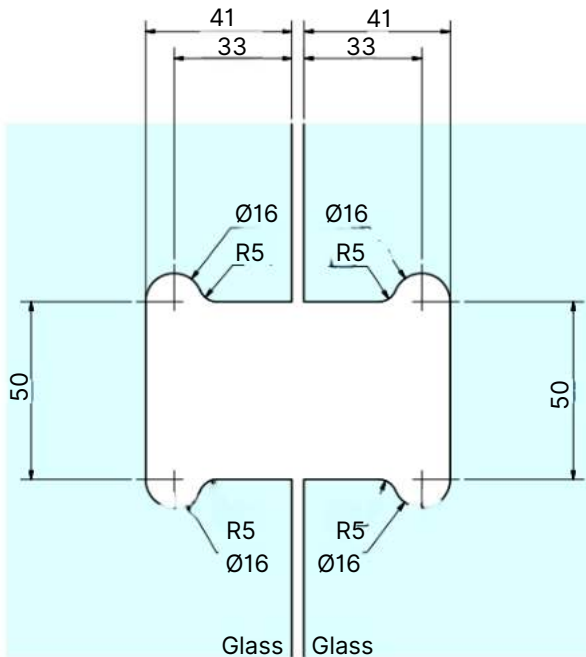
MicroFlex Glass to Glass 135°



6-10 mm	35kg max
700mm max	cut out

High-quality glass-to-glass hinge 180°

FINISH	CODE
Bright Chrome	19-009
Satin Chrome	19-010
Gold	Contact NFK



NFK Glazing
& Industrial Supplies

www.nfk.com.au

28 Devlan Street,
Mansfield, QLD 4122

07 3343 3377

sales@nfk.com.au





42 Tacoma Circuit,
Canning Vale, WA 6155

08 9455 3866

wasaless@nfk.com.au

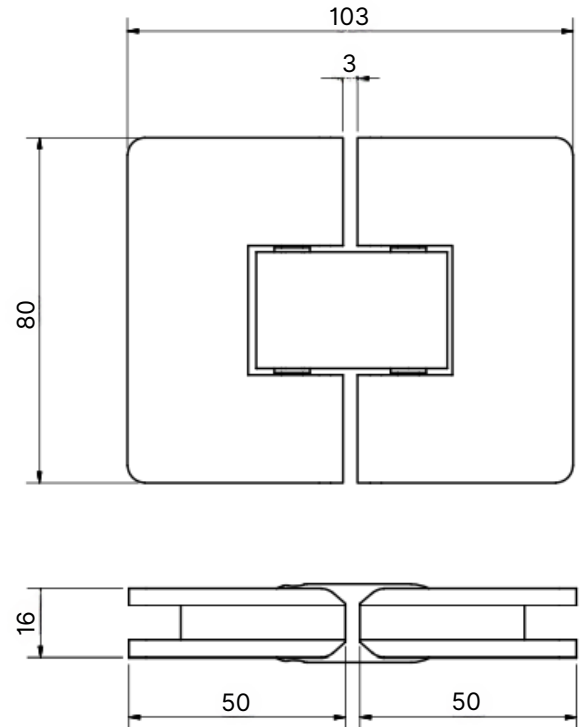
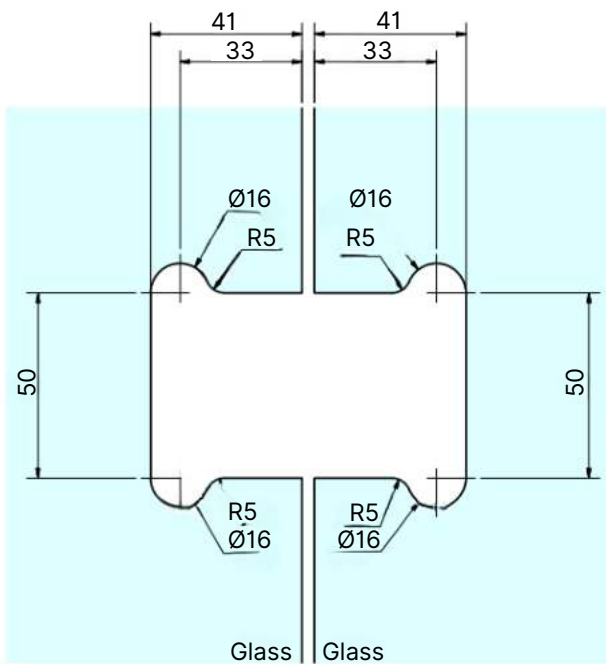
MicroFlex Glass to Glass 180°



 6-10 mm	 35kg max
 700mm max	 cut out


High-quality glass-to-glass hinge 180°

FINISH	CODE
Bright Chrome	19-001
Satin Chrome	19-002
Gold	Contact NFK



NFK Glazing
& Industrial Supplies


www.nfk.com.au

 28 Devlan Street,
Mansfield, QLD 4122

 07 3343 3377

 sales@nfk.com.au

 42 Tacoma Circuit,
Canning Vale, WA 6155

 08 9455 3866

 wasales@nfk.com.au



BIFOLD-S SERIES

FREE-SWINGING HINGES

- ✓ High-quality manufactured hinges from chrome-plated brass
- ✓ Suitable for 6-10 mm glass thickness
- ✓ Square profile

Hinges Capacities

Number of hinges on one door	Max. weight	Max. width
2	36kg	711mm
3	50kg	813mm

NFK Glazing
& Industrial Supplies

www.nfk.com.au

📍 28 Devlan Street,
Mansfield, QLD 4122

☎ 07 3343 3377

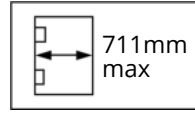
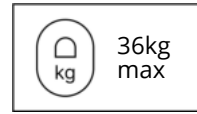
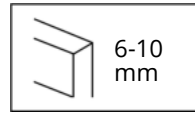
✉ sales@nfk.com.au

📍 42 Tacoma Circuit,
Canning Vale, WA 6155

☎ 08 9455 3866

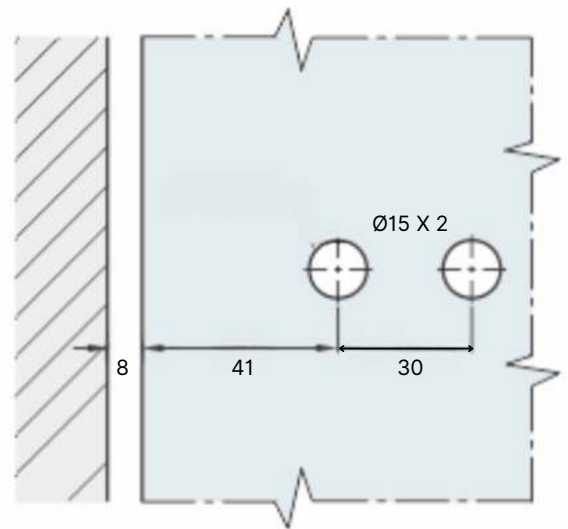
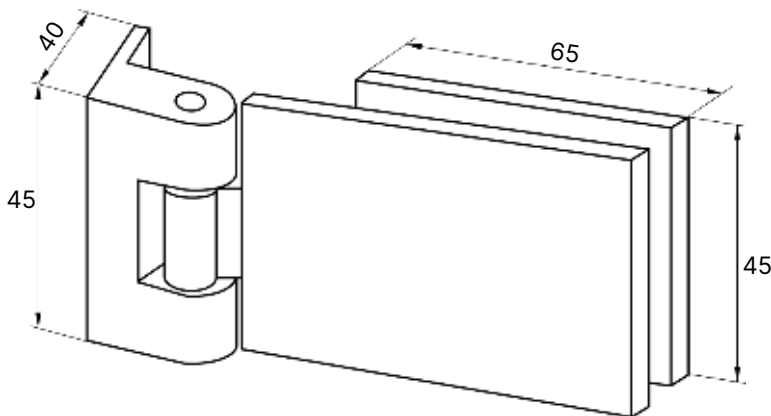
✉ wasaless@nfk.com.au

BiFold-S Wall to Glass Offset Free-Swinging





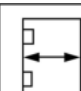

- High-quality wall-to-glass free-swinging hinge
- Glass processing requires two 15mm holes

FINISH	CODE
Chrome	19-SH/101C



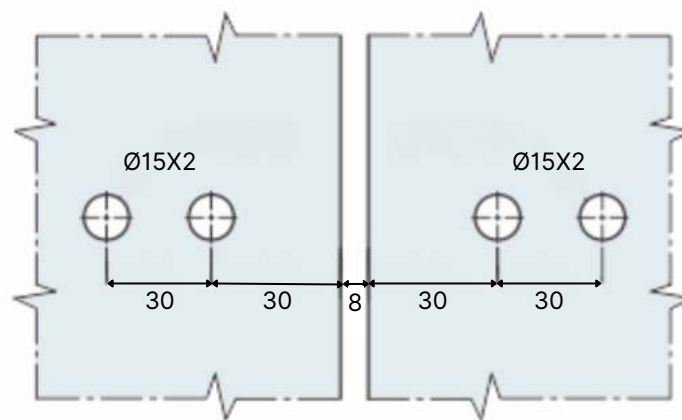
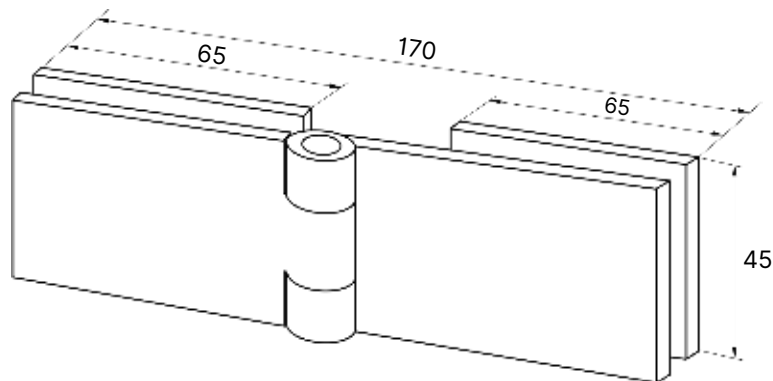
BiFold-S Glass to Glass 180° Free-Swinging



 6-10 mm	 36kg max
 711mm max	 2x15mm holes


- High-quality glass-to-glass free swing hinge
- Glass processing requires two 15mm holes in each glass panel

FINISH	CODE
Chrome	19-SH/103C



NFK Glazing
& Industrial Supplies


www.nfk.com.au

 28 Devlan Street,
Mansfield, QLD 4122

 07 3343 3377

 sales@nfk.com.au

 42 Tacoma Circuit,
Canning Vale, WA 6155

 08 9455 3866

 wasales@nfk.com.au



BIFOLD-R SERIES

FREE-SWINGING HINGES

- ✓ High-quality manufactured hinges from chrome-plated brass
- ✓ Suitable for 6-10 mm glass thickness
- ✓ Round profile

Hinges Capacities

Number of hinges on one door	Max. weight	Max. width
2	20kg	700mm

NFK Glazing
& Industrial Supplies

www.nfk.com.au

📍 28 Devlan Street,
Mansfield, QLD 4122

☎ 07 3343 3377

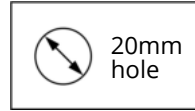
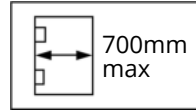
✉ sales@nfk.com.au

📍 42 Tacoma Circuit,
Canning Vale, WA 6155

☎ 08 9455 3866

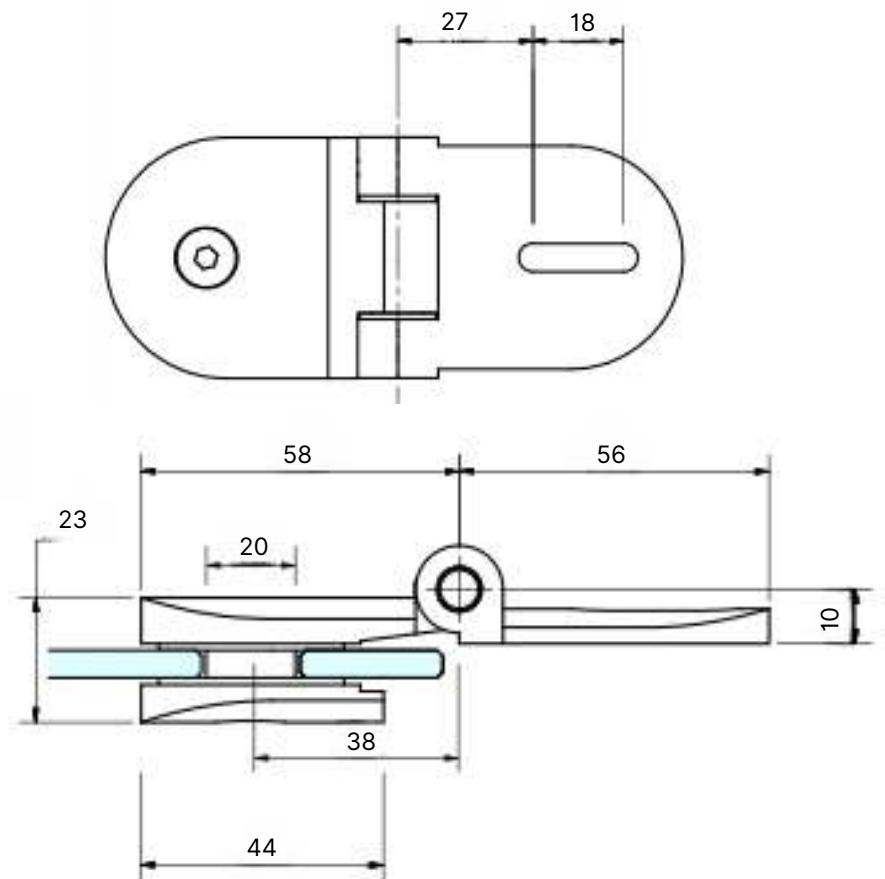
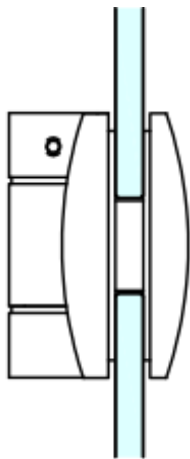
✉ wasales@nfk.com.au

BiFold-R Wall to Glass Free Swing



- High-quality wall-to-glass free swing hinge
- Glass processing requires 20mm hole

FINISH	CODE
Chrome	19-SH/022
Satin	19-SH/020SS



NFK Glazing
& Industrial Supplies

www.nfk.com.au

28 Devlan Street,
Mansfield, QLD 4122

07 3343 3377

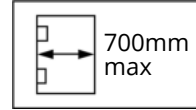
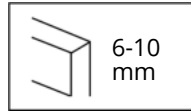
sales@nfk.com.au

42 Tacoma Circuit,
Canning Vale, WA 6155

08 9455 3866

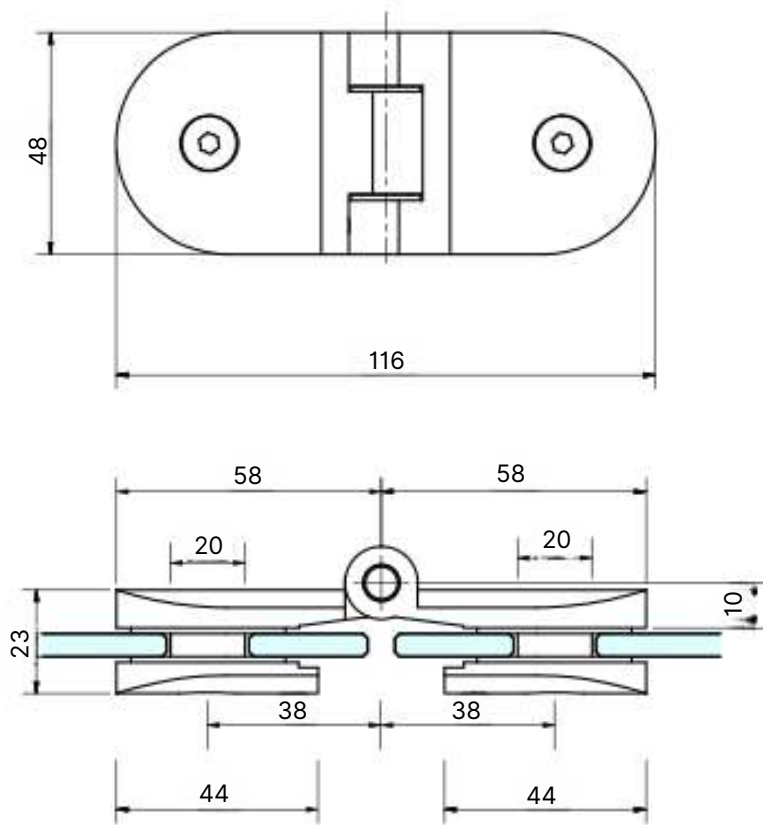
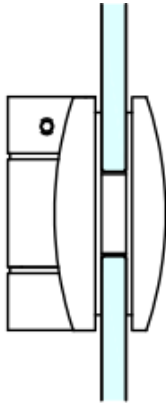
wasales@nfk.com.au

BiFold Glass to Glass Free Swing



High-quality glass-to-glass free swing hinge

FINISH	CODE
Chrome	19-SH/021



NFK Glazing
& Industrial Supplies

www.nfk.com.au

28 Devlan Street,
Mansfield, QLD 4122

07 3343 3377

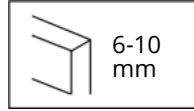
sales@nfk.com.au

42 Tacoma Circuit,
Canning Vale, WA 6155

08 9455 3866

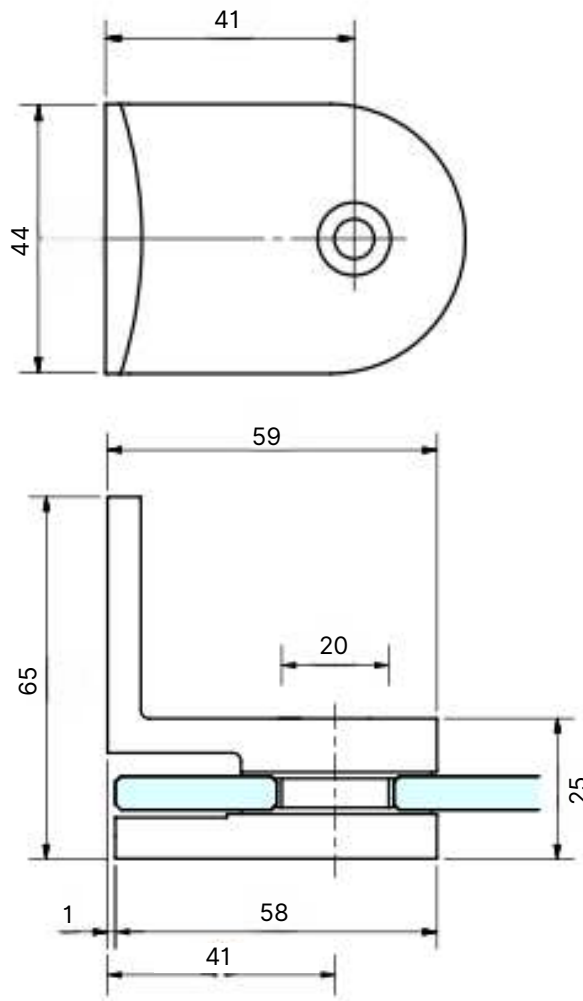
wasales@nfk.com.au

BiFold Wall to Glass Bracket Round Profile



Wall to Glass Bracket BiFold series to suit BiFold hinges

FINISH	CODE
Chrome	19-SH/020



NFK Glazing
& Industrial Supplies

www.nfk.com.au

28 Devlan Street,
Mansfield, QLD 4122

07 3343 3377

sales@nfk.com.au



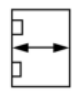

42 Tacoma Circuit,
Canning Vale, WA 6155

08 9455 3866

wasales@nfk.com.au

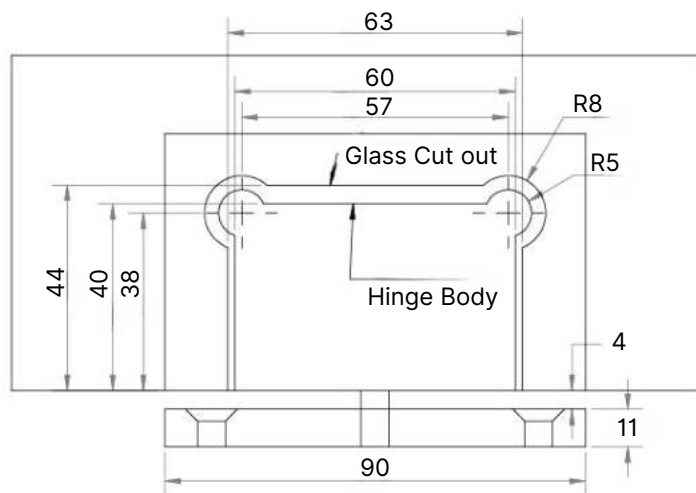
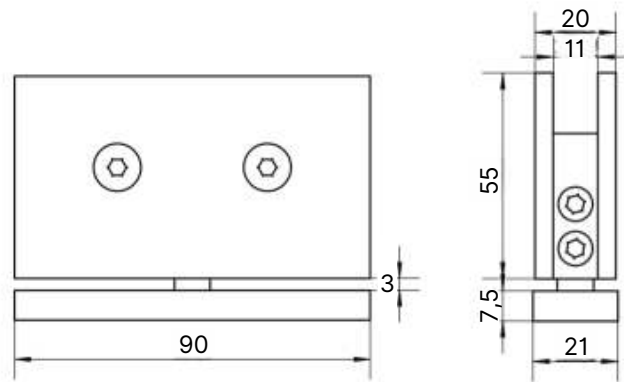
C8 Pivot Hinge Square Profile



 6-10 mm	 45kg max
 800mm max	 cut out


Dual action pivot hinge. Self-closing from approx. 25°


FINISH	CODE
Polished Chrome	19-SH/1020



NFK Glazing
& Industrial Supplies

www.nfk.com.au

 28 Devlan Street,
Mansfield, QLD 4122

 07 3343 3377

 sales@nfk.com.au

 42 Tacoma Circuit,
Canning Vale, WA 6155

 08 9455 3866

 wasaless@nfk.com.au

