

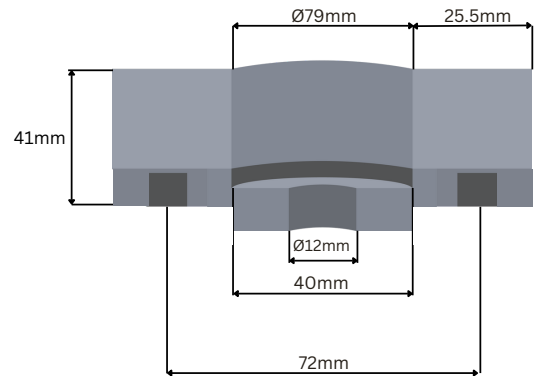
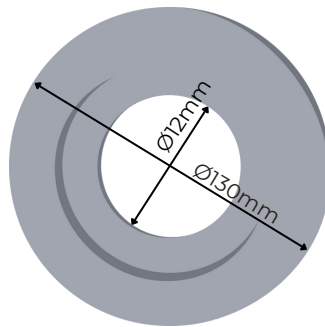
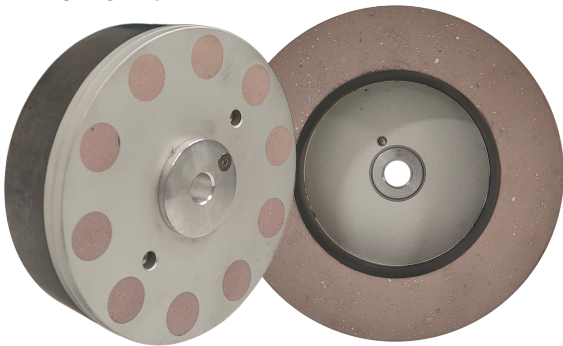


Polishing Wheels | Stone Wheel 130mm Diameter

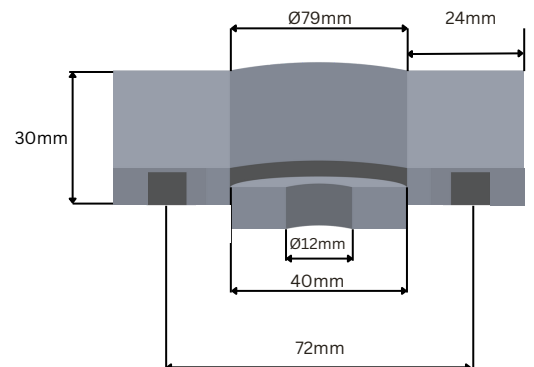
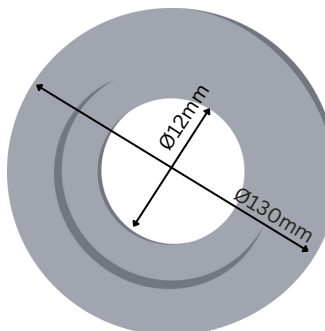
## ARRIS POLISHING STONE CUP WHEELS

Size	Producer	Code
130mm OD x 12mm ID x 40mm Height, Boss 40mm, SD Wheel is suitable for arris processing without diamond wheels	BOVONE	01-0219
130mm OD x 12mm ID x 30mm Height, , Boss 40mm	Siapi	01-0217
130mm OD x 22mm ID x 30mm Height, , Boss 40mm	Siapi	01-021722
130mm OD x 60mm ID x 30mm Height	Siapi	01-021760
130mm OD x 12mm ID x 40mm Height, Boss 40mm	BOVONE	01-0218
130mm OD x 50mm ID x 40mm Height	BOVONE	01-021850

01-0219



01-0217

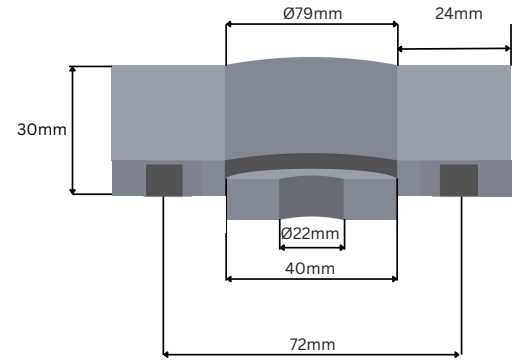




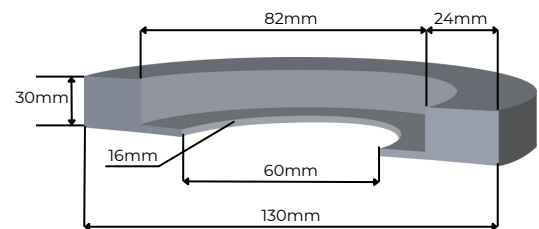
Polishing Wheels | Stone Wheel 130mm Diameter

## ARRIS POLISHING STONE CUP WHEELS

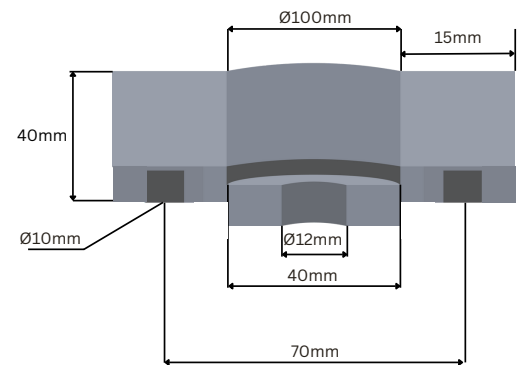
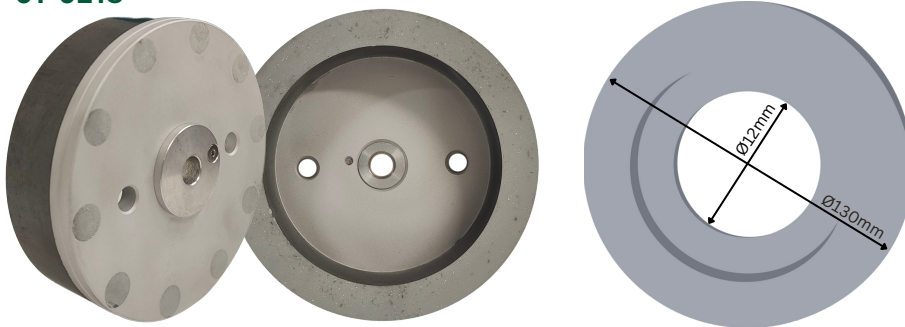
01-021722



01-021760



01-0218



01-0218.50

