

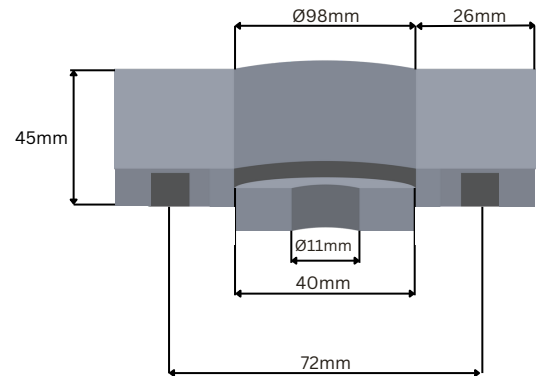
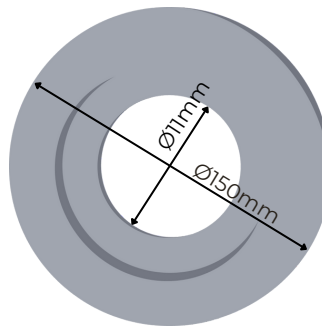


Polishing Wheels | Stone Wheel 150mm Diameter

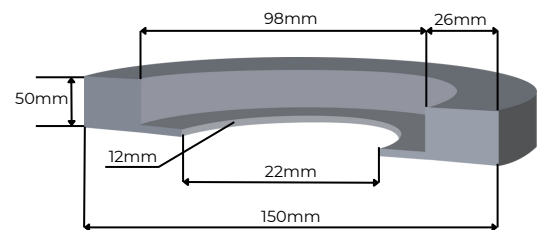
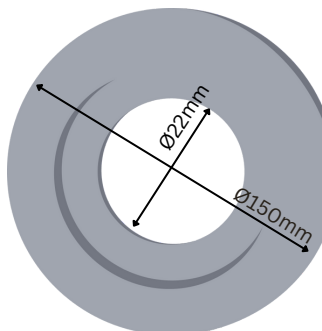
ARRIS POLISHING STONE CUP WHEELS

Size	Producer	Code
150mm OD x 11mm ID x 45mm Height, Boss 40mm, CD Series - suitable for arris polishing after a diamond wheel	BOVONE	01-0214
150mm OD x 22mm ID x 50mm Height, CD Series - suitable for arris polishing after a diamond wheel	BOVONE	01-0220
150mm OD x 70mm ID x 40mm Height	Siapi	01-02134
150mm OD x 70mm ID x 40mm Height, CD Series - suitable for arris polishing after a diamond wheel	BOVONE	01-02135

01-0214



01-0217

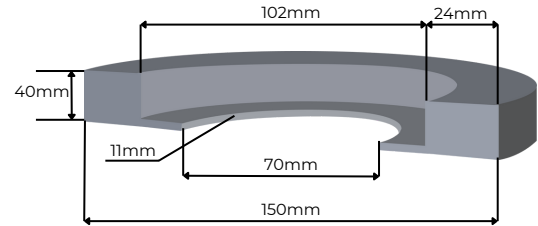
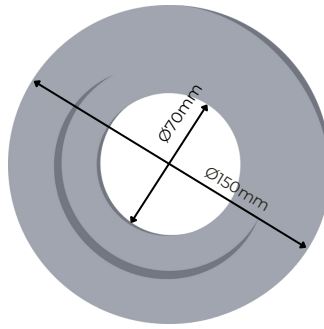




Polishing Wheels | Stone Wheel 150mm Diameter

ARRIS POLISHING STONE CUP WHEELS

01-02134



01-02135

