



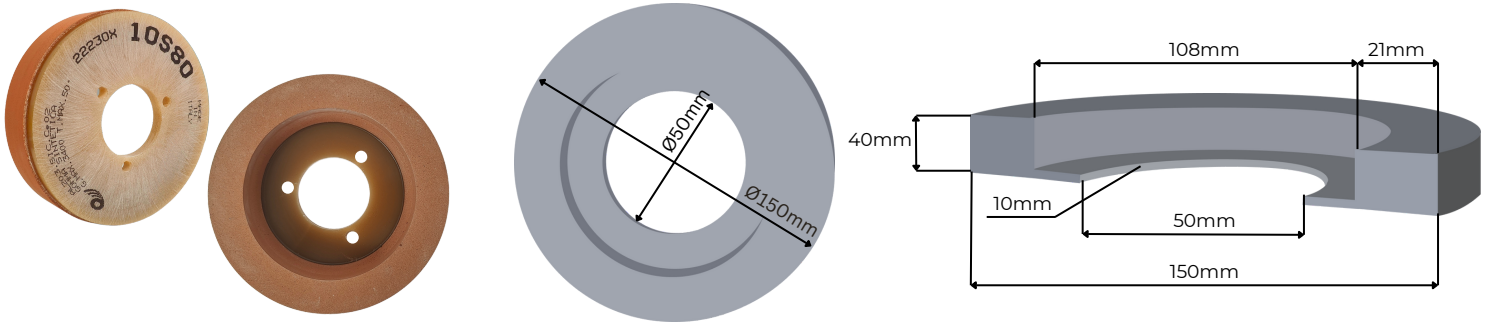
Polishing Wheels | 10S™ Series is advised to obtain a medium glass polishing

10S™ - SYNTHETIC RUBBER WHEELS AND CERIUM OXIDE

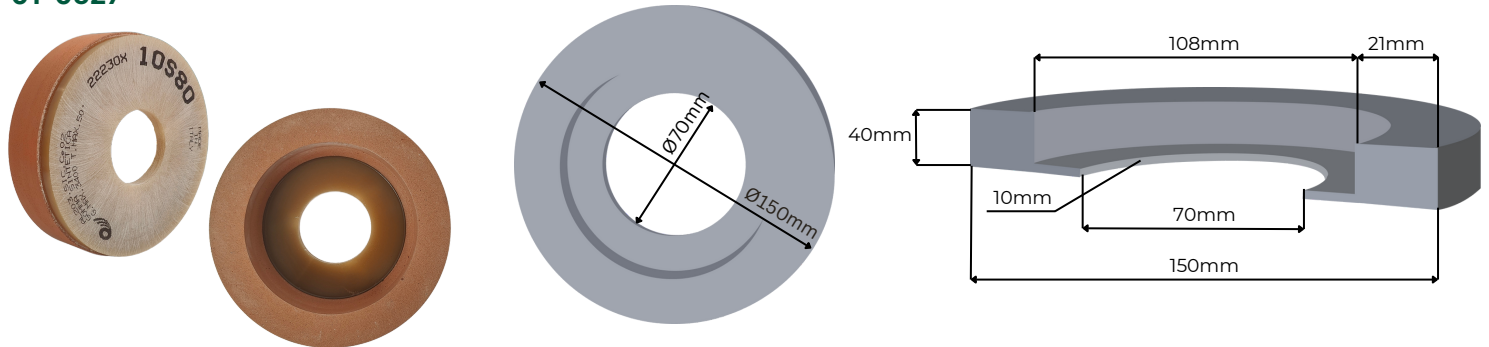
Polishing Cup Wheel CP9

Size	Grain	Code
150mm OD x 50mm ID x 40mm Height	80	01-052
150mm OD x 70mm ID x 40mm Height	80	01-0527
170mm OD x 50mm ID x 40mm Height	120	01-074

01-052



01-0527



01-0527

