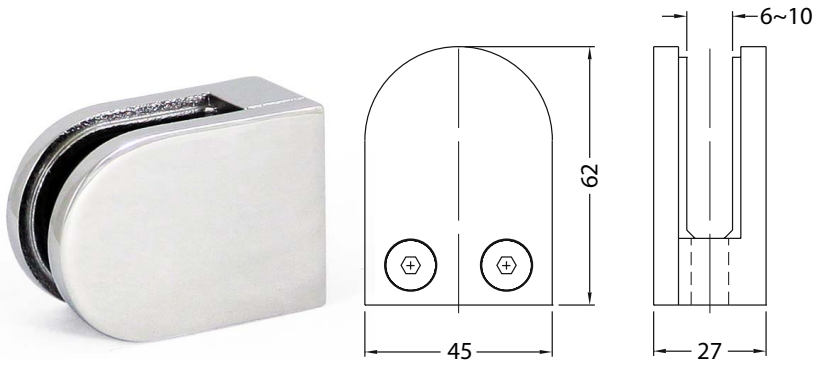


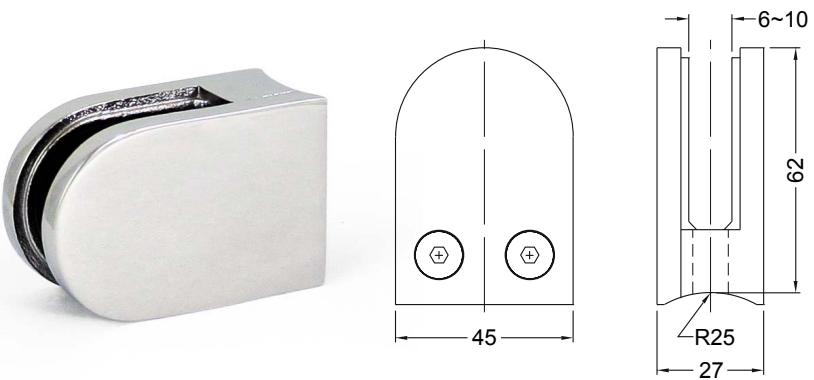
Glass Clamps



Model 310 Flat Back

High quality glass clamps, made from 316 stainless steel. Suitable for glass 6mm to 10mm, includes gaskets for 6mm, 8mm and 10mm glass.

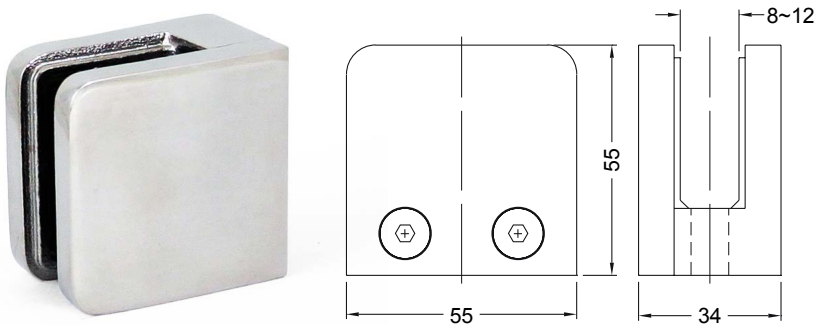
Description	Code
Satin	19-014
Polished	19-014P



Model 311 Radius Back

High quality glass clamps, made from 316 stainless steel. Suitable for glass 6mm to 10mm, includes gaskets for 6mm, 8mm and 10mm glass.

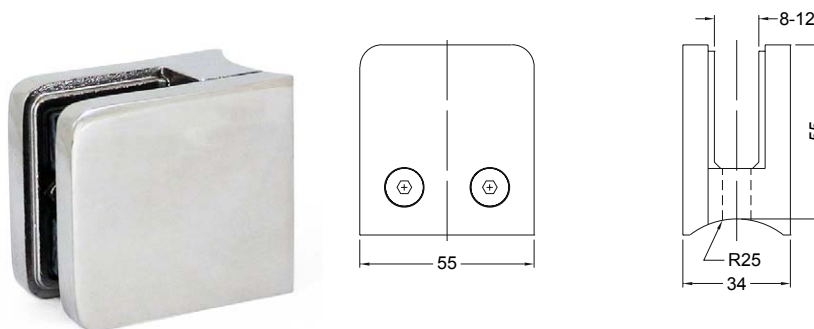
Description	Code
Satin	19-015
Polished	19-015P



Model 200 Flat Back

High quality glass clamps, made from 316 stainless steel. Suitable for glass 8mm to 12mm, includes gaskets for 8mm, 10mm and 12mm glass.

Description	Code
Satin	19-012
Polished	19-012P



Model 201 Radius Back

High quality glass clamps, made from 316 stainless steel. Suitable for glass 8mm to 12mm, includes gaskets for 8mm, 10mm and 12mm glass.

Description	Code
Satin	19-013
Polished	19-013P