

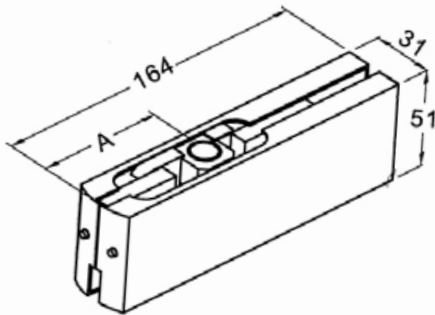


## Architectural Hardware | Patch Fittings

### Top Inset Patch Fitting



- Material: aluminium, stainless steel
- For glass thickness: 10–12 mm
- Available for other glass thicknesses on request
- Door weight max. 100 kg
- Door width max. 1100 mm
- Supplied with: standard pivot block for ceiling mounted free pivot



A dimensions: 50mm-70mm

FINISH	CODE
Polished	19-0361.99
Satin	19-0361.77

