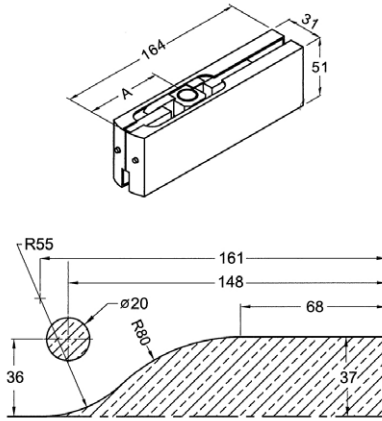


Patch Fittings

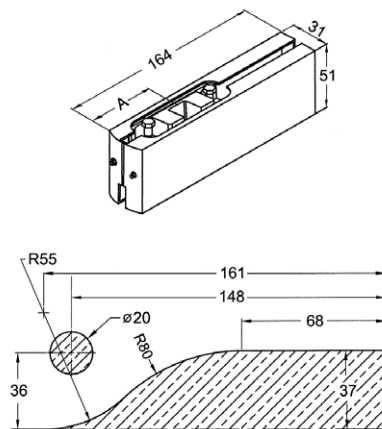


Top Corner Patch

Strong, high quality corner patch for frameless glass doors. Comes with standard pivot block for ceiling mounted free pivot.

- Set up for glass 10mm to 12mm.
- 316 s/s Covers.
- Available for other glass thicknesses on request.

Description	Code
Satin	19-036.77
Polished	19-036.99

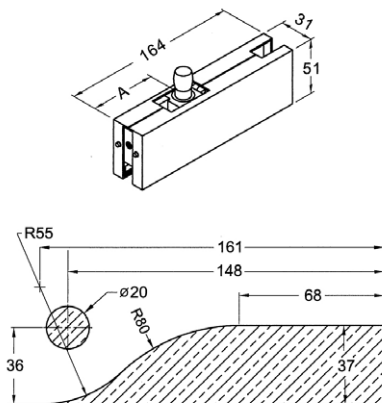


Top Corner Patch To Suit COC

Strong, high quality corner patch for frameless glass doors. Comes with square pivot block for COC Closer

- Set up for glass 10mm to 12mm.
- 316 s/s Covers.
- Available for other glass thicknesses on request.

Description	Code
Satin	19-0362.77
Polished	19-0362.99

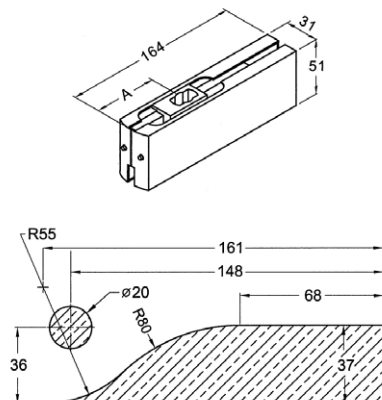


High-Lite Pivot Patch

Fixes to high-lite glass to enable use of a Top Corner patch. Can be fixed off to a side wall for additional support.

- Set up for glass 10mm to 12mm.
- 316 s/s Covers.
- Available for other glass thicknesses on request.

Description	Code
Satin	19-038.77
Polished	19-038.99



Bottom Corner Patch

Strong, high quality corner patch for frameless glass doors. Comes standard with pivot block for Floor Springs or Heavy Duty Free Pivot.

- Set up for glass 10mm to 12mm.
- 316 s/s Covers.
- Available for other glass thicknesses on request.

Description	Code
Satin	19-037.77
Polished	19-037.99