

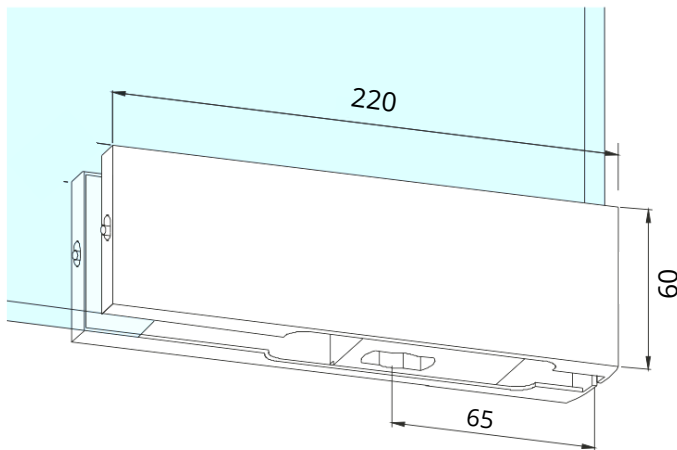


Architectural Hardware | Patch Fittings

Heavy Duty Bottom Corner Patch Fitting



- Material: solid stainless steel
- For glass thickness: 15-30mm
- Door weight max. 400 kg
- Door width max. 1500 mm
- Suitable for floor spring or heavy duty-free pivot



FINISH	CODE
Satin	19-037.HD.77
Polished	19-037.HD.99



Architectural Hardware | Patch Fittings

