

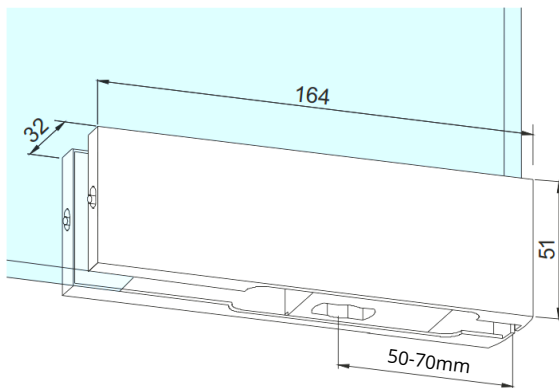


## Architectural Hardware | Patch Fittings

### Bottom Inset Patch Fitting



- Material: aluminium, stainless steel
- For glass thickness: 10–12 mm
- Available for other glass thicknesses on request
- Door weight max. 100 kg
- Door width max. 1100 mm
- Suitable for floor springs' pivot block or heavy duty-free pivot



FINISH	CODE
Polished	19-0371.99
Satin	19-0371.77

