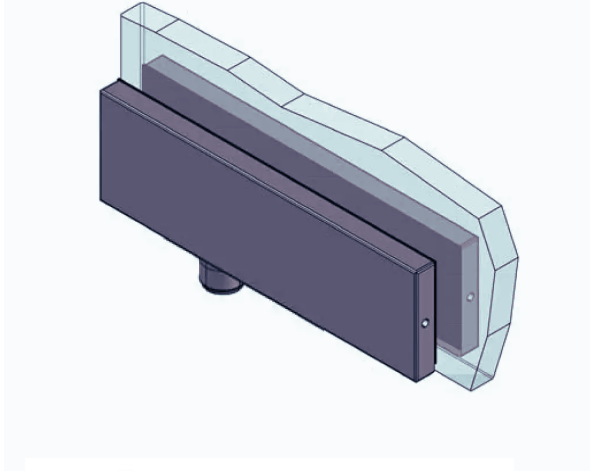




Architectural Hardware | Patch Fittings

HIGH-LITE PIVOT PATCH FITTING



- Pivot Patch Fitting for corner mounting
- Material: aluminium, stainless steel
- Fixes to high-lite glass to enable the use of a top-corner patch
- It can be fixed off to a side wall for additional support
- For glass thickness: 10–12 mm; available for other glass thicknesses on request
- Door weight max. 100 kg
- Door width max. 1100 mm



FINISH	CODE
Polished	19-038.99
Satin	19-038.77
Anodised Aluminium	19-038.11

A dimensions: 50mm-70mm

