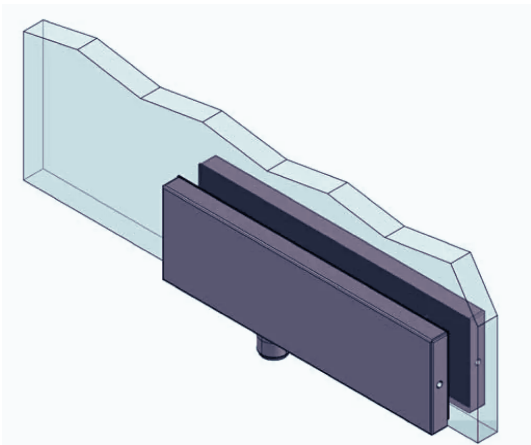


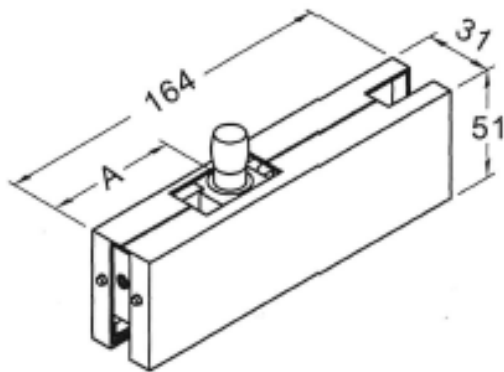


Architectural Hardware | Patch Fittings

High-Lite Inset Pivot Patch



- For inset mounting
- Material: aluminium, stainless steel
- Fixes to high-lite glass to enable the use of a top-corner patch
- For glass thickness: 10–12 mm, available for other glass thicknesses on request
- Door weight max. 100 kg
- Door width max. 1100 mm
- Available Finishes: Polished, Satin



A dimensions: 50mm-70mm

FINISH	CODE
Polished	19-0381.99
Satin	19-0381.77
Anodised Aluminium	19-0381.11

