

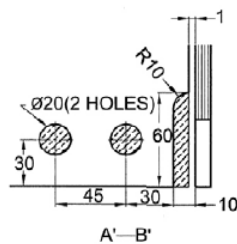
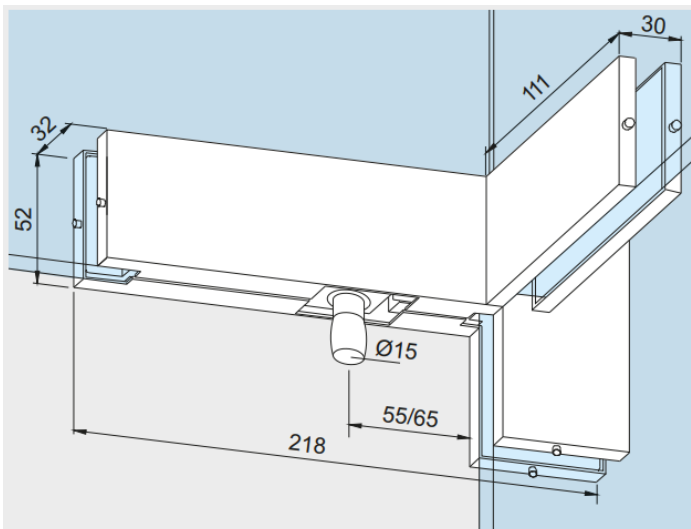


## Architectural Hardware | Patch Fittings

### Left Corner Pivot Patch Fitting with Fin



- Patch for highlight and sidelight with fin fitting inside, with pivot 15 mm Ø
- Suitable for double or single-action doors with a top pivot to receive a standard top-corner patch
- For glass thickness: 10-12 mm, available for other glass thicknesses on request



| DESCRIPTION        | CODE       |
|--------------------|------------|
| Polished           | 19-0386.99 |
| Satin              | 19-0386.77 |
| Anodised Aluminium | 19-0386.11 |

