

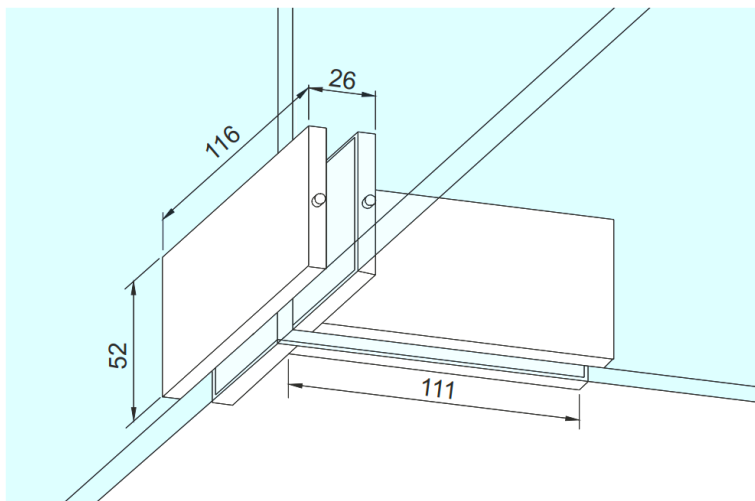


Architectural Hardware | Patch Fittings

Fin Link Patch / Highlight connector with fin fitting



- Ties two glass panels together
- Contains an additional leg to fix to a glass fin or flat bar post
- For glass thickness: 10-12 mm, available for other glass thicknesses on request



DESCRIPTION	CODE
Polished	19-0388.99
Satin	19-0388.77

