

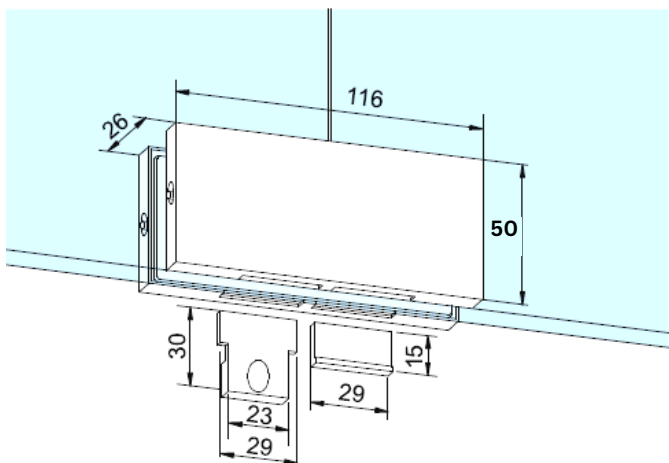
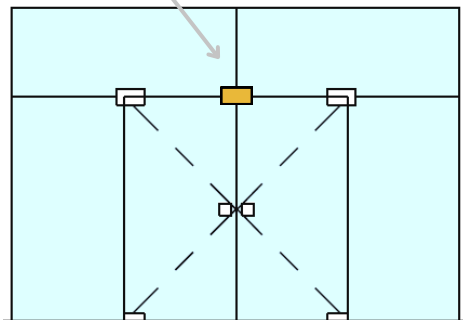


Architectural Hardware | Patch Fittings

Highlight Patch Fitting with Double Doorstop



- Patch fitting for highlight with stop inserts
- Suitable for internal or external double doors to prevent from closing past the highlight
- Material: Stainless Steel, grade 304
- Suitable for 10-12mm glass thickness
- Fitted above double doors where they meet



DESCRIPTION

CODE

Polished

19-0389.99

Satin

19-0389.77

