



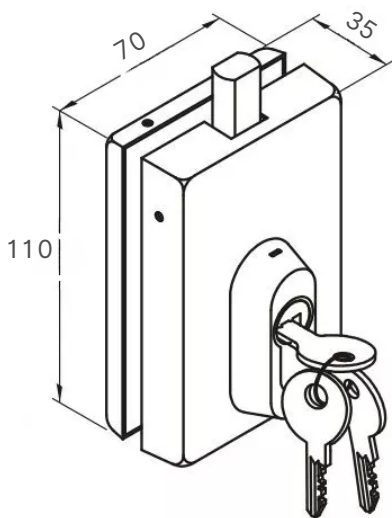
Architectural Hardware | Patch Fittings | Locks and Lock Keepers

PATCH LOCK SNIB VERTICAL KA

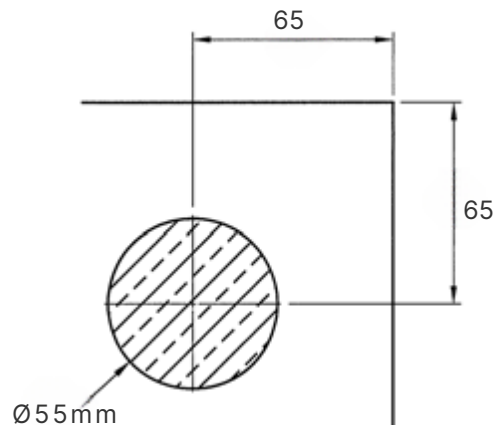
- A stainless steel patch lock can be used vertically or horizontally
- Suitable for glass thickness: 10-12mm
- Material: stainless steel 316



Product	Finish	Code
Patch Lock	Polished	19-0412.99
Patch Lock	Satin	19-0412.77



Glass cut-out



NFK Glazing
& Industrial Supplies

www.nfk.com.au

📍 28 Devlan Street,
Mansfield, QLD 4122

☎ 07 3343 3377

✉ sales@nfk.com.au

📍 42 Tacoma Circuit,
Canning Vale, WA 6155

☎ 08 9455 3866

✉ wasaless@nfk.com.au

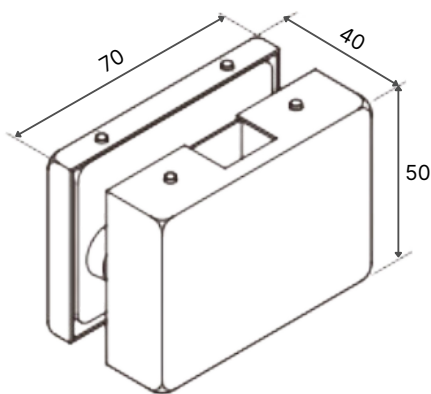


LOCK KEEPER



- A stainless steel lock keeper suits Patch Lock (19-0412).
- Suitable for glass thickness: 10-12mm
- Material: stainless steel 316

Product	Finish	Code
Lock Keeper	Polished	19-0432.99
Lock Keeper	Satin	19-0432.77



Glass cut-out

