

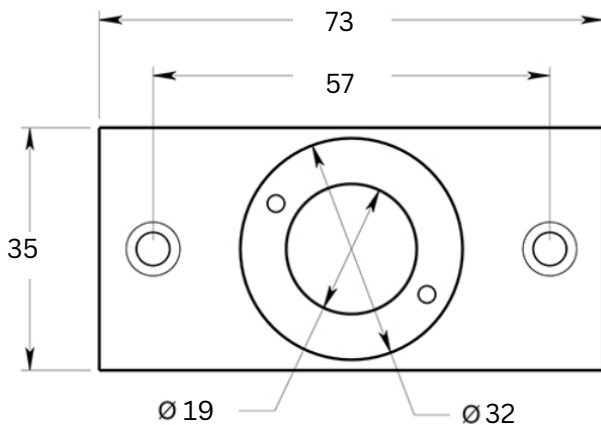


Architectural Hardware | Patch Fittings

Floor Ferrel with Dust Cap



- Dust-Proof Strike
- Material: Solid Brass
- Finish: Brushed nickel plated
- Removable face plate
- Included Accessory: Spanner wrench & Adjustable nut



DESCRIPTION	CODE
Brushed nickel plated	19-0455

