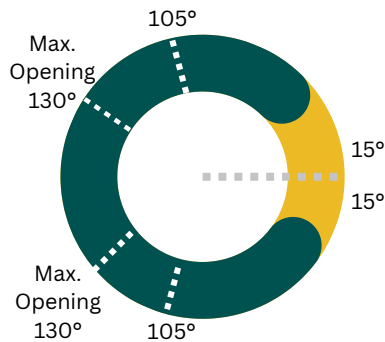




Architectural Hardware | Hydraulic Door Closers | Floor Spring

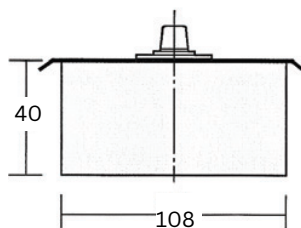
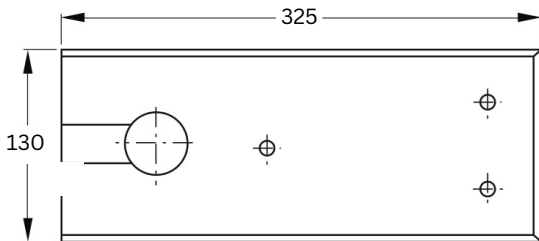
Hold-Open 105° Floor Spring EN4



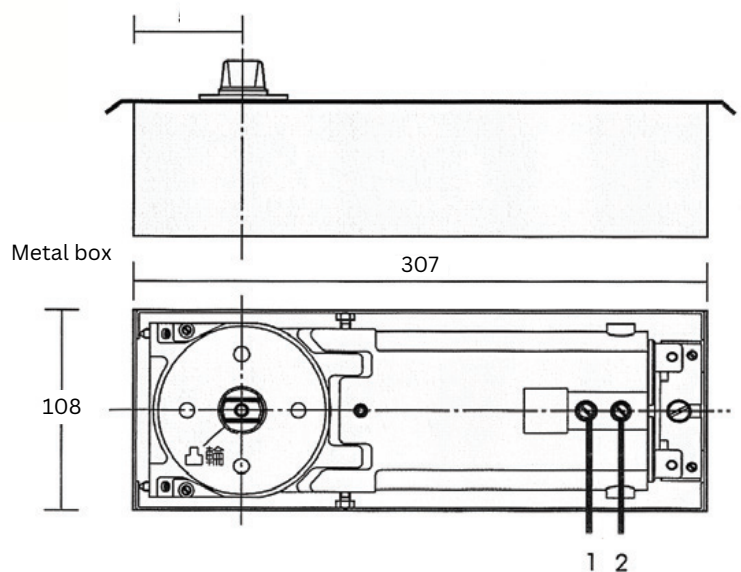
- Designed to automatically close from any open angle
- Suitable for single or double-action doors
- Hold-open angle 105°
- Mechanical backcheck
- Adjustable closing and latching speed
- Interchangeable spindle



DESCRIPTION	Door Width (Max)	Door Weight (Max)	CODE
Power Size EN#4 (Hold Open Angle 105°)	1000mm	80kg	19-047.105



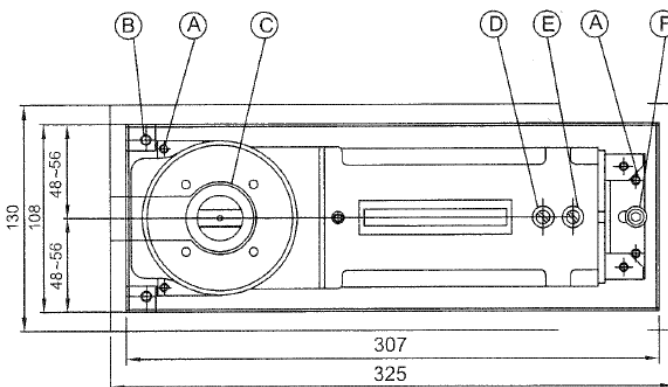
Metal box





Architectural Hardware | Hydraulic Door Closers | Floor Spring

Application Adjustment



1. Clearance between hinge jamb and door stile adjustment: loosen screws **F** and **B**.
2. Door height adjustment: loosen screws **B**, and **F** and adjust screw **A**.
3. Centring door: loosen screws **B**, **F**.
4. Closing speed adjustment: two regulating valves **D** and **E**
 - → decrease closing speed
 - ← increase closing speed
 - Valve D: control closing range 130°-15°
 - Valve E: control closing range 15°-0°
5. Spring tension adjustment **F**:
 - → increase spring tension
 - ← decrease spring tension



6. Speed adjustment D, E: