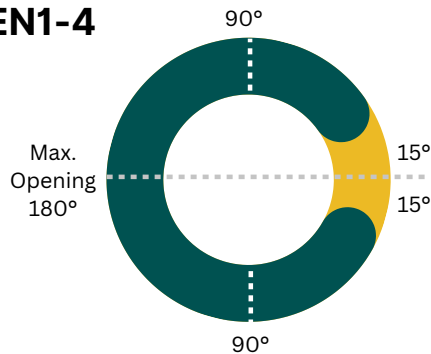


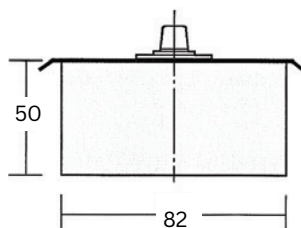
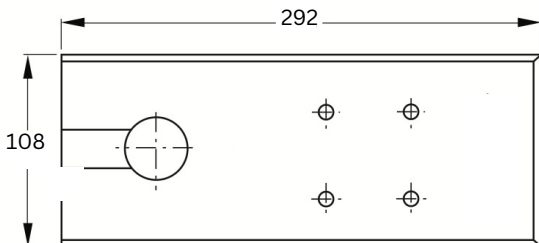


## Architectural Hardware | Hydraulic Door Closers | Floor Spring

### Hold-Open 90° Floor Spring EN1-4

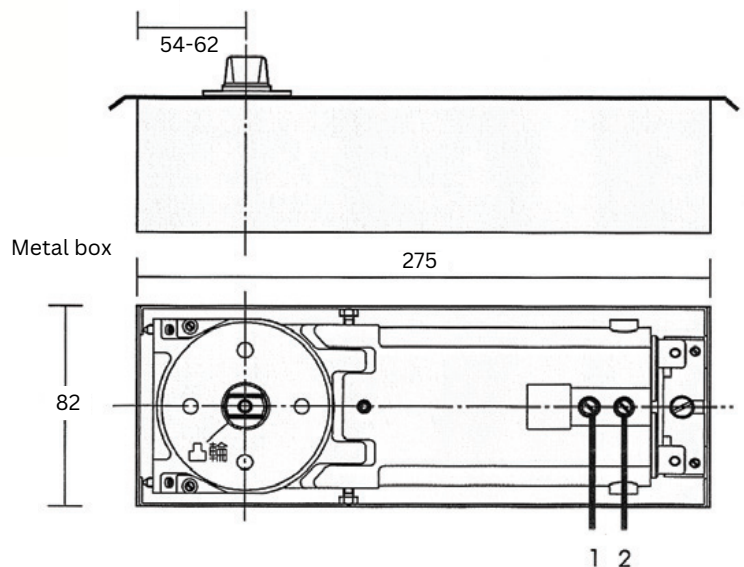


- Power adjustment to EN1, EN2, EN3 or EN4
- Designed to automatically close from any open angle
- Suitable for single or double-action doors
- Hold-open angle 90°
- Mechanical backcheck
- Adjustable closing and latching speed
- Interchangeable spindle



Metal box

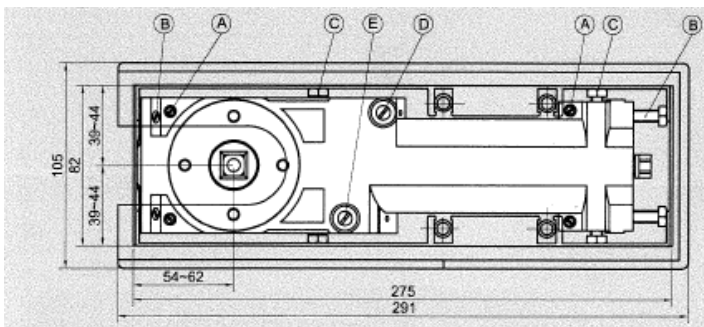
DESCRIPTION	Door Width (Max)	Door Weight (Max)	CODE
Power Size EN#1-4 (Hold Open Angle 90°)	1200mm	150kg	19-175.090.1-4.77





## Architectural Hardware | Hydraulic Door Closers | Floor Spring

### Application Adjustment



1. Clearance between hinge jamb and door stile adjustment : loosen screws **B** and **C**.
2. Door height adjustment : loosen screws **B**, **C** and adjust screw **A**.
3. Centring door: loosen screws **B**, **C**.
4. Closing speed adjustment: two regulating valves **D** and **E**
  - → decrease closing speed
  - ← increase closing speed
  - Valve **D**: control closing range 170°-15°
  - Valve **E**: control closing range 15°-0°



5. Speed adjustment **D**, **E**:

### Power Adjustment



**NOTE:**

1. Max.10 turns from the minimum setting
  2. Factory pre-setting size EN3
- Use 11mm open and wrenches

Power	Exterior Door Width	Interior Door Width	Full turns of spring adjusting nut
EN1	-	-	-5
EN2	-	762mm	-2
EN3	762mm	914mm	0
EN4	914mm	1067mm	+5