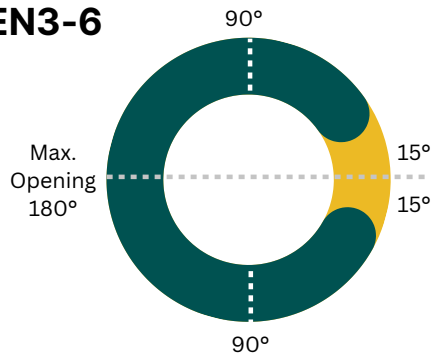




## Architectural Hardware | Hydraulic Door Closers | Floor Spring

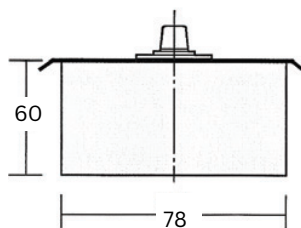
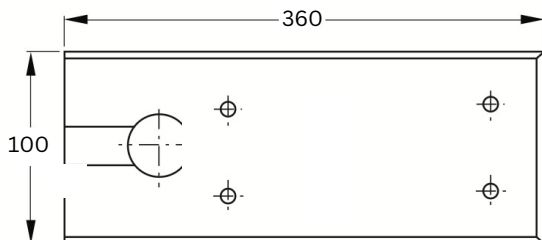
### Hold-Open 90° Floor Spring EN3-6



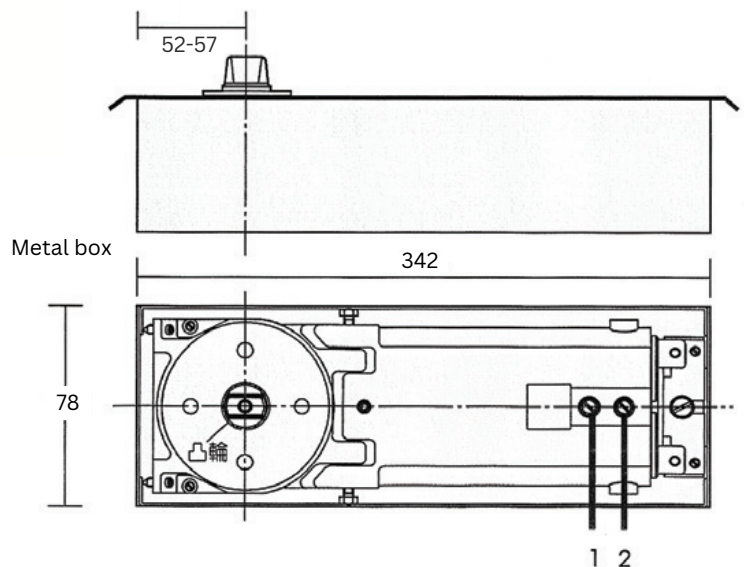
- Power adjustment to EN3, EN4, EN5 or EN6
- Designed to automatically close from any open angle
- Suitable for single or double-action doors
- Hold-open angle 90°
- Mechanical backcheck
- Adjustable closing and latching speed
- Interchangeable spindle



DESCRIPTION	Door Width (Max)	Door Weight (Max)	CODE
Power Size EN#3-6 (Hold Open Angle 90°)	1400mm	300kg	19-180.090.3-6.77



Metal box

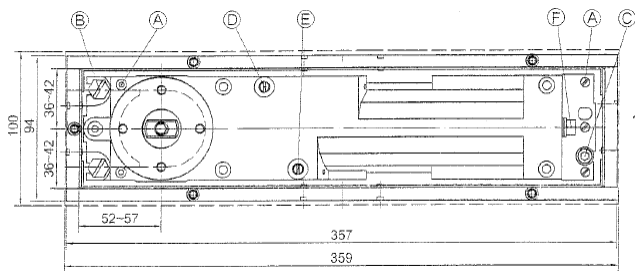


Metal box



## Architectural Hardware | Hydraulic Door Closers | Floor Spring

### Application Adjustment



1. Clearance between hinge jamb and door stile adjustment: loosen screws **B** and **C**.
2. Door height adjustment: loosen screws **B**, and **C** and adjust screw **A**.
3. Centring door: loosen screws **B**, **C**.
4. Closing speed adjustment: two regulating valves **D** and **E**
  - → decrease closing speed
  - ← increase closing speed
  - Valve D: control closing range 180°-15°
  - Valve E: control closing range 15°-0°
5. Spring tension adjustment **F**:
  - → increase spring tension
  - ← decrease spring tension



6. Speed adjustment D, E:

### Power Adjustment



**NOTE:**

1. Use 13mm open and wrenches
2. Factory pre-setting size EN4

Power Size	Full turns of spring adjusting nut
EN3	-10
EN4	0
EN5	+10
EN6	+20