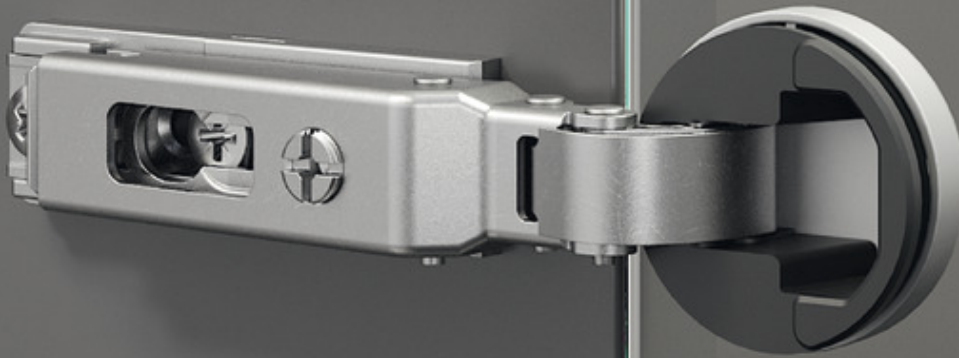




NFK GLAZING & INDUSTRIAL SUPPLIES

Professional Products for the Glass & Glazing industry





HÄFELE CABINET HARDWARE

CONCEALED HINGES DUOMATIC 94° FOR
GLASS DOORS

NFK Glazing
& Industrial Supplies


www.nfk.com.au

 28 Devlan Street,
Mansfield, QLD 4122

 07 3343 3377

 sales@nfk.com.au

 42 Tacoma Circuit,
Canning Vale, WA 6155

 08 9455 3866

 wasales@nfk.com.au



CONCEALED HINGES SET FOR CABINET GLASS DOORS



The Crank Hinge Set consists of 3 components:

1. Duomatic concealed hinge 94° for glass - 1
2. Mounting plate -1
3. Trim Cover Cap - 1

DETERMINE WHICH TYPE IS SUITABLE FOR YOU:

1) Select the mounting type:

- Full overlay
- Half overlay
- Inset

2) Select the type of fixing of the mounting plate to the inside wall or face frame of the cabinet:

- Screw mount (side-on)
- Press-fit (Clip) for quick fit

3) Calculate the overlay and select the mounting plate's height (refer to page 5)

4) Determine the number of hinges required for the door size and weight

Set #1 Standard



Full overlay

Screw mount

Black



Half overlay



Chrome



Inset

1

2

3

Set #2 Quick Fit



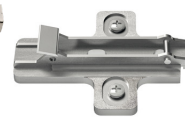
Full overlay

Press-fit

Black



Half overlay



Chrome



Inset

1

2

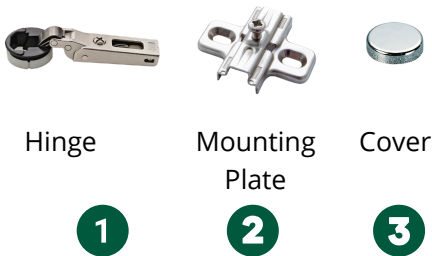
3



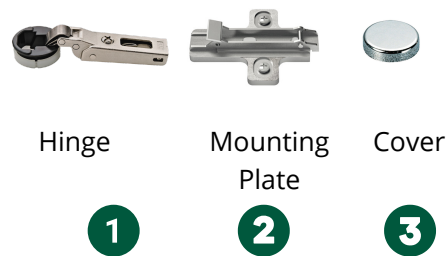
THE CRANK HINGE SETS - CONFIGURATIONS & CODES

Set #	Hinge Mounting Type	Mounting Plate Type	Cover Colour	Mounting Plate Height Options	Code
1	Full overlay	Slide-on	Chrome	0mm, 3mm, 6mm, 9mm	19-317 02 580C
2	Full overlay	Clip (Quick Fit)	Chrome	0mm, 3mm, 6mm	19-317 02 590C
3	Full overlay	Slide-on	Black	0mm, 3mm, 6mm, 9mm	19-317 02 580B
4	Full overlay	Clip (Quick Fit)	Black	0mm, 3mm, 6mm	19-317 02 590B
5	Half overlay	Slide-on	Chrome	0mm, 3mm, 6mm, 9mm	19-317 02 581C
6	Half overlay	Clip (Quick Fit)	Chrome	0mm, 3mm, 6mm	19-317 02 591C
7	Half overlay	Slide-on	Black	0mm, 3mm, 6mm, 9mm	19-317 02 581B
8	Half overlay	Clip (Quick Fit)	Black	0mm, 3mm, 6mm	19-317 02 591B
9	Inset	Slide-on	Chrome	0mm, 3mm, 6mm, 9mm	19-317 02 582C
10	Inset	Clip (Quick Fit)	Chrome	0mm, 3mm, 6mm	19-317 02 592C
11	Inset	Slide-on	Black	0mm, 3mm, 6mm, 9mm	19-317 02 582B
12	Inset	Clip (Quick Fit)	Black	0mm, 3mm, 6mm	19-317 02 592B

Set #1 Standard

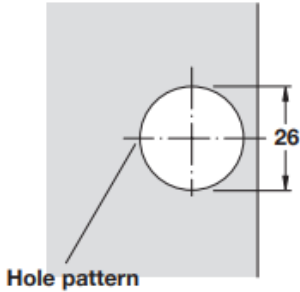


Set #2 Quick Fit

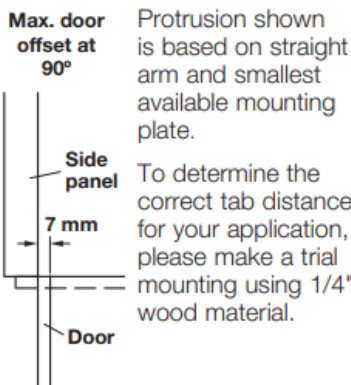




1 HINGES



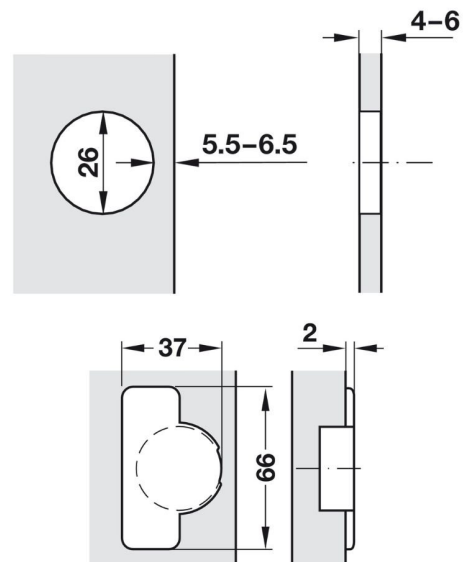
Opening angle: **94°**



- Self-closing
- Opening 94°
- Screw mounted
- Glass thickness: 4–6 mm (3/16"–1/4")
- Side panel thickness: from 16 mm (5/8")
- Tab: 5.5–6.5 mm (3/16"–1/4")
- Trim shim and screws included
- Material: Steel

Mounting	Item Code	Hinge Arm
Full overlay	19-317 02 500	
Half overlay	19-317 02 501	
Inset	19-317 02 502	

FULL OVERLAY MOUNTING



NFK Glazing
& Industrial Supplies

www.nfk.com.au

28 Devlan Street,
Mansfield, QLD 4122

07 3343 3377

sales@nfk.com.au

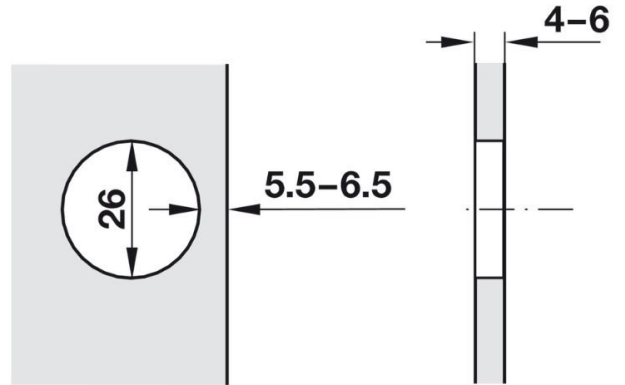
42 Tacoma Circuit,
Canning Vale, WA 6155

08 9455 3866

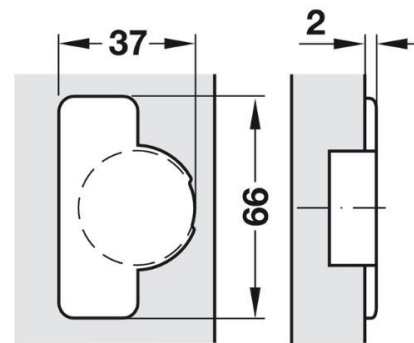
wasales@nfk.com.au



HALF OVERLAY MOUNTING

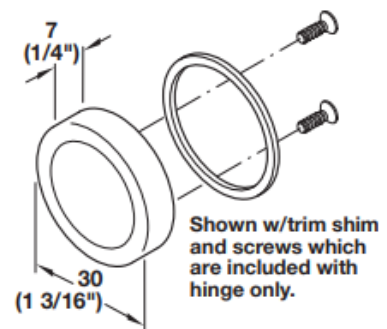


INSET MOUNTING



3 TRIM COVER CAPS

- Round
- Material: Plastic



Colour	Item Code
Chrome	19-317 10 420
Black	19-317 10 320

NFK Glazing
& Industrial Supplies

www.nfk.com.au

28 Devlan Street,
Mansfield, QLD 4122

07 3343 3377

sales@nfk.com.au

42 Tacoma Circuit,
Canning Vale, WA 6155

08 9455 3866

wasales@nfk.com.au



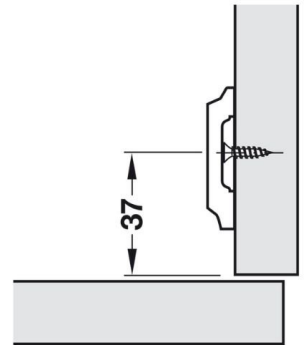
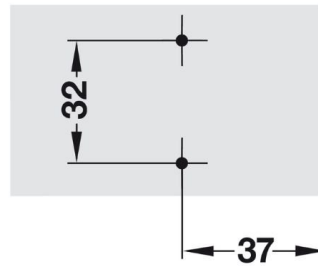
2 MOUNTING PLATES

Slide-on Mounting Plate



- Screw mounted
- Pre-installed hinge-arm retaining screws
- Independent vertical adjustment
- Material: Zinc die-cast;
- Finish: nickel-plated

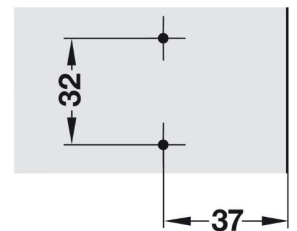
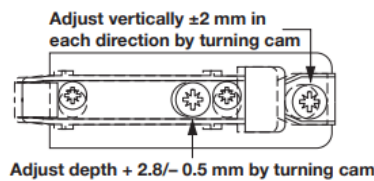
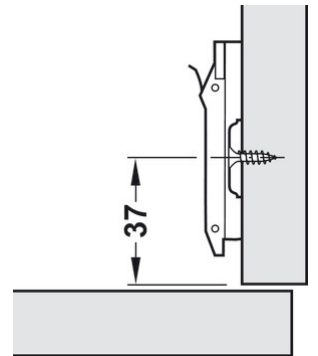
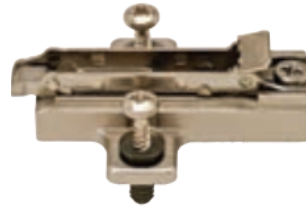
Height, mm	Item Code
0	19-329.80.528
3	19-329.80.555
6	19-329 80 582
9	19-329 80 590



Clip Mounting Plate (Quick Fit)

- Mounted in system holes with expandable 5 mm (3/16") dowels
- Spring lever
- With independent vertical and depth adjustment with cam
- Material: Steel/Zinc;
- Finish: nickel-plated

Height, mm	Item Code
0	19-32971500
3	19-32971503
6	19-32971506



Automatic Adjustment Response feature: A slight turn of the depth adjustment cam or vertical cam quickly positions the hinge eliminating the need for manual positioning by loosening screws.



→ HOW TO DETERMINE & CALCULATE OVERLAY

The overlay is the correlation of a cabinet door to the cabinet side panel or the face frame. The amount of overlay determines the type of hinge that should be used. Different suppliers all can use the same formula, however be cautious, as their constants might be different.

There are 3 factors that are used to calculate the overlay:

1. The cup drilling distance or tab. (K)
2. The height or the mounting plate. (H)
3. The hinge constant, which is a value set by the supplier.

Overlay = (constant + tab) – mounting plate height

FULL OVERLAY

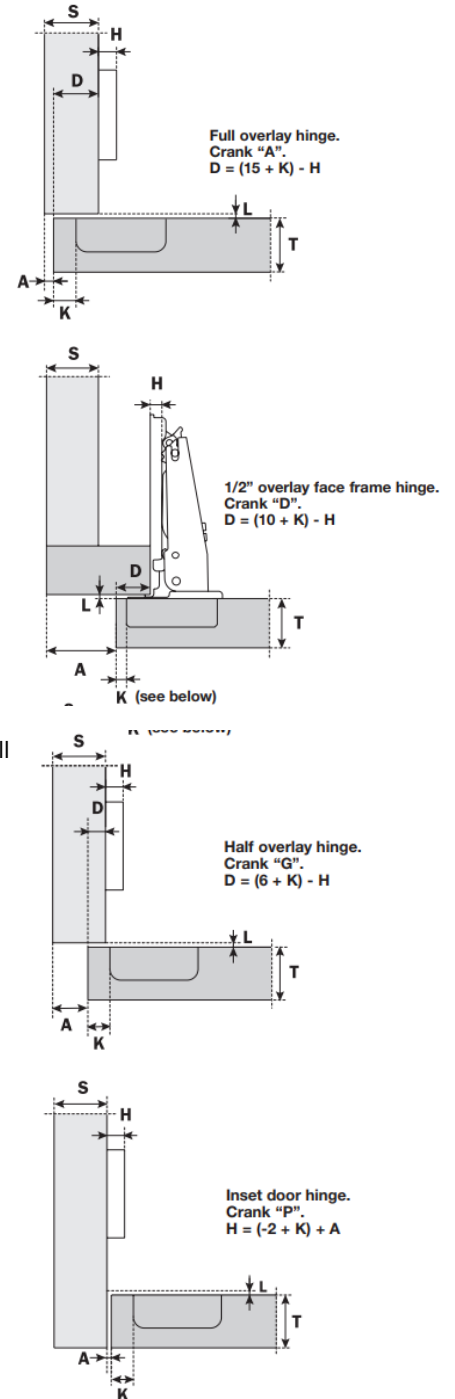
This means that the door significantly overlaps the cabinet opening on all four sides. A full overlay on a frameless cabinet typically ranges from 16–19 mm (5/8"–3/4"). A full overlay hinge is used along with a 0, 2, or 3 mm mounting plate.

PARTIAL, HALF, AND 1/2" OVERLAY

Any of these partial overlays means that the door overlaps the cabinet less than the full overlay. Partial on a frameless cabinet would be between 6–16 mm (1/4"–5/8").

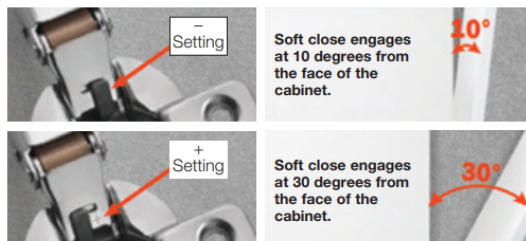
INSET

Inset doors fit completely into the face frame. They use a special hinge known as an inset hinge, or an overlay hinge can be used with a high mounting plate.



Overlay = (constant + tab) - bp height

Overlay = D	constant +	tab - K	bp height H
17.5	15	5.5	3
12.5	10	5.5	3
10	6	5	1
-2.5	-2	5.5	6
Alternate inset w/half hinge			
-1.5	6	4.5	12



Overlay = (constant + drilling distance) - plate height. For special applications, do not hesitate to contact our customer service department.

NFK Glazing
& Industrial Supplies

www.nfk.com.au

28 Devlan Street,
Mansfield, QLD 4122

07 3343 3377

sales@nfk.com.au

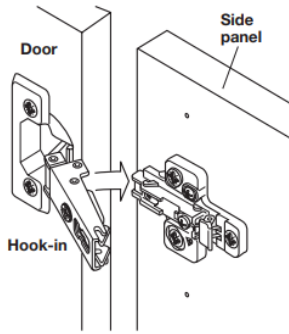
42 Tacoma Circuit,
Canning Vale, WA 6155

08 9455 3866

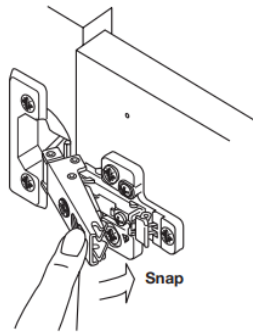
wasaless@nfk.com.au



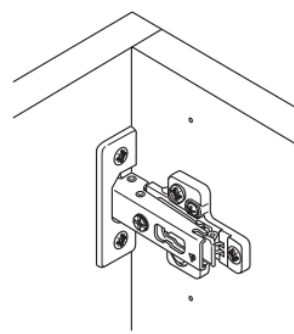
MOUNTING AND ADJUSTMENTS



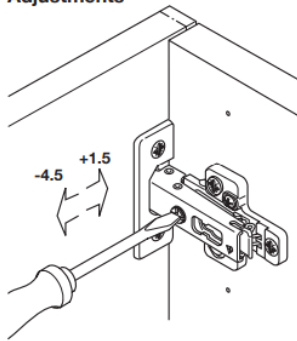
Step 1
Unique compensated adjustment. No gap increase between door and panel.



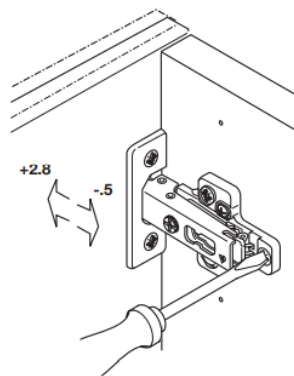
Step 2
Rotate cam adjustment screw on baseplate.



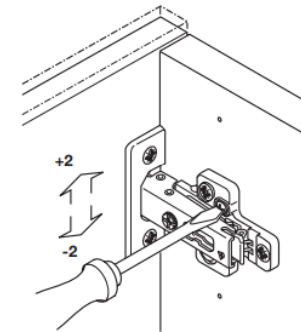
Adjustments



Parallel Side Adjustment
by screw adjustment (6 mm (1/4") of adjustment).

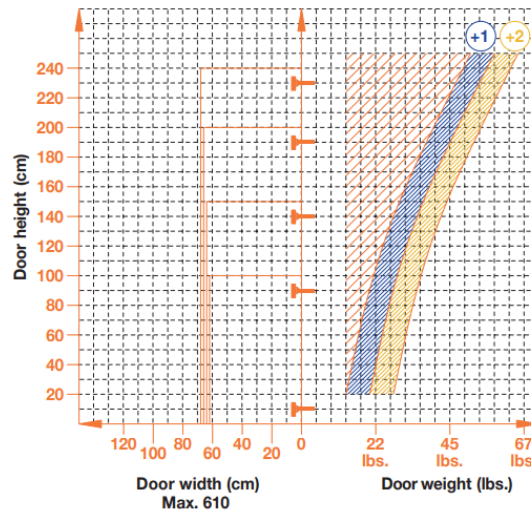
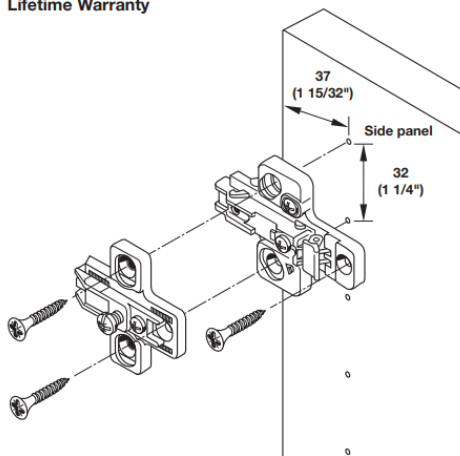


In-and-Out
by loosening the hinge-arm mounting screw or via cam



Vertical
via slots in the mounting plate or cam adjustment

Lifetime Warranty



NFK Glazing & Industrial Supplies

www.nfk.com.au

28 Devlan Street, Mansfield, QLD 4122

07 3343 3377

sales@nfk.com.au

42 Tacoma Circuit, Canning Vale, WA 6155

08 9455 3866

wasaless@nfk.com.au