



# X1U SERIES

TRADE HINGES RANGE

- ✓ High-quality manufactured hinges with durable finish
- ✓ Suits U-shape cut-out
- ✓ Suitable for 10 mm glass thickness

## Hinges Capacities

Number of hinges on one door	Max. weight	Max. width
2	35kg	710mm
3	54kg	810mm

NFK Glazing  
& Industrial Supplies

[www.nfk.com.au](http://www.nfk.com.au)

📍 28 Devlan Street,  
Mansfield, QLD 4122

☎ 07 3343 3377

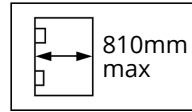
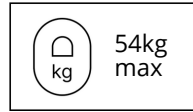
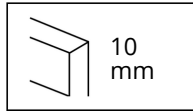
✉ [sales@nfk.com.au](mailto:sales@nfk.com.au)

📍 42 Tacoma Circuit,  
Canning Vale, WA 6155

☎ 08 9455 3866

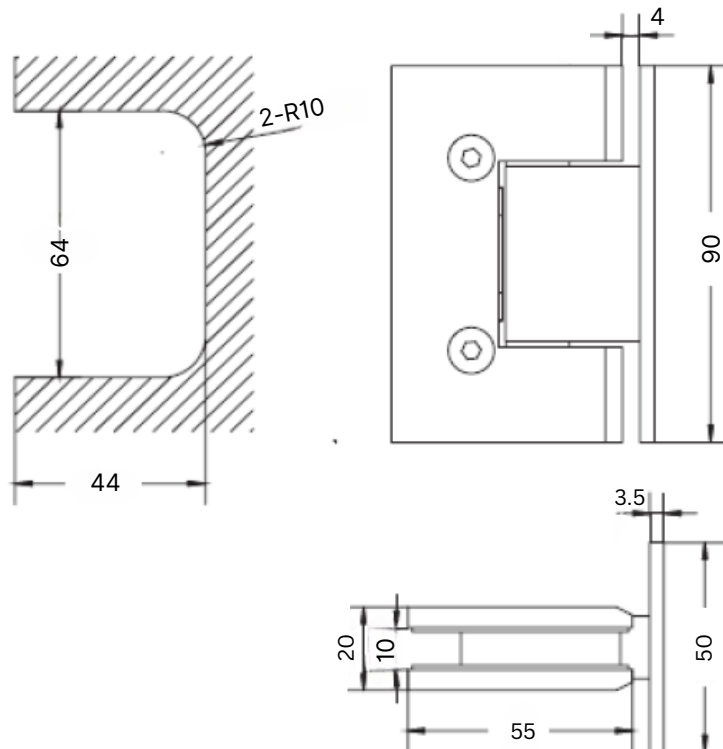
✉ [wasales@nfk.com.au](mailto:wasales@nfk.com.au)

## X1U Wall to Glass 90° Full Back Plate



- High-quality square wall to glass hinge 90° with full back plate
- Recommended wall-to-glass clearance - 8mm

FINISH	CODE
Chrome	19-SH/025C
Matt Black	19-SH/025MB
Brushed Nickel	19-SH/025BN
Other finishes	Contact NFK



NFK Glazing  
& Industrial Supplies

[www.nfk.com.au](http://www.nfk.com.au)

28 Devlan Street,  
Mansfield, QLD 4122

07 3343 3377

[sales@nfk.com.au](mailto:sales@nfk.com.au)

42 Tacoma Circuit,  
Canning Vale, WA 6155

08 9455 3866

[wasales@nfk.com.au](mailto:wasales@nfk.com.au)