



# T7 SERIES

PREMIUM QUALITY HINGES

- ✓ Premium quality components and surface finish for longer durability and excellent performance
- ✓ Suits Rabbit Ear cut-out
- ✓ Suitable for 8-10 mm glass thickness

## Hinges Capacities

Number of hinges on one door	Max. weight	Max. width
2	35kg	762mm

NFK Glazing  
& Industrial Supplies

[www.nfk.com.au](http://www.nfk.com.au)

📍 28 Devlan Street,  
Mansfield, QLD 4122

☎ 07 3343 3377

✉ [sales@nfk.com.au](mailto:sales@nfk.com.au)

📍 42 Tacoma Circuit,  
Canning Vale, WA 6155

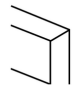

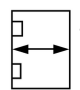

☎ 08 9455 3866

✉ [wasales@nfk.com.au](mailto:wasales@nfk.com.au)



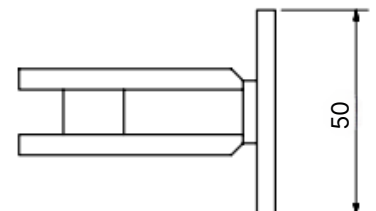
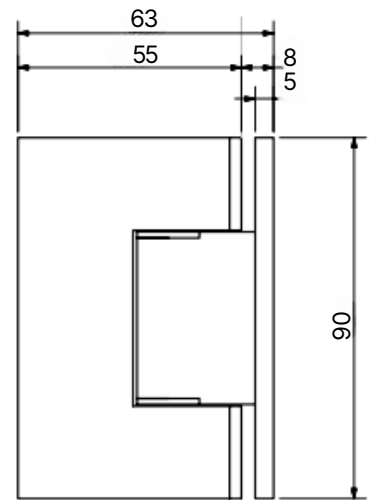
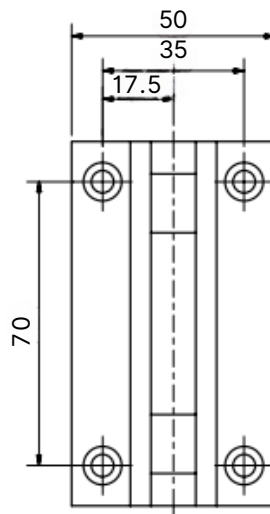
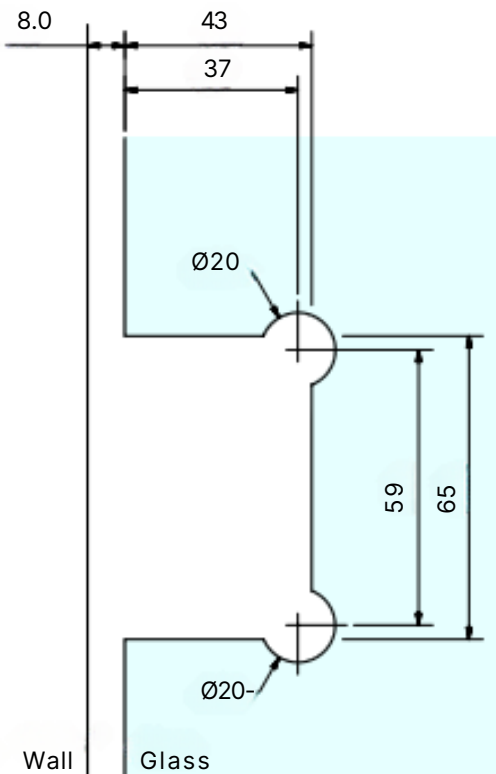
# T7 Wall to Glass 90° Full Back Plate



 8-10 mm	 35kg max
 762mm max	 cut out

Premium-quality square wall to glass hinge with full back plate

FINISH	CODE
Bright Chrome	19-SH/033C
Other finishes	Contact NFK



NFK Glazing & Industrial Supplies

[www.nfk.com.au](http://www.nfk.com.au)

28 Devlan Street, Mansfield, QLD 4122

07 3343 3377

[sales@nfk.com.au](mailto:sales@nfk.com.au)

42 Tacoma Circuit, Canning Vale, WA 6155

08 9455 3866

[wasales@nfk.com.au](mailto:wasales@nfk.com.au)



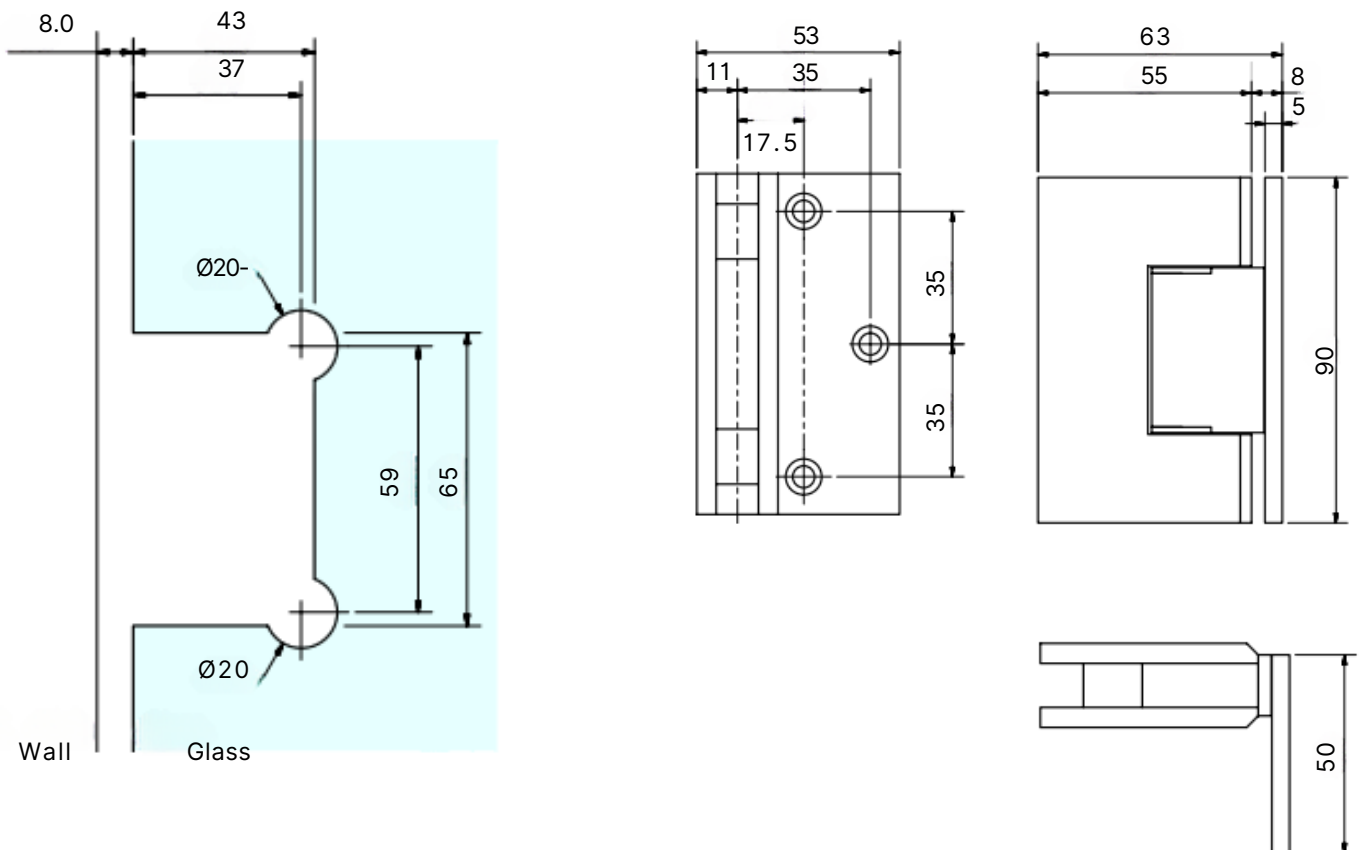
## T7 Wall to Glass 90° Offset Back Plate



8-10 mm	35kg max
762mm max	cut out

Premium-quality square wall to glass hinge with offset back plate

FINISH	CODE
Bright Chrome	19-SH/034C
Other finishes	Contact NFK



NFK Glazing  
& Industrial Supplies

[www.nfk.com.au](http://www.nfk.com.au)

28 Devlan Street,  
Mansfield, QLD 4122

07 3343 3377

[sales@nfk.com.au](mailto:sales@nfk.com.au)

42 Tacoma Circuit,  
Canning Vale, WA 6155





08 9455 3866

[wasales@nfk.com.au](mailto:wasales@nfk.com.au)



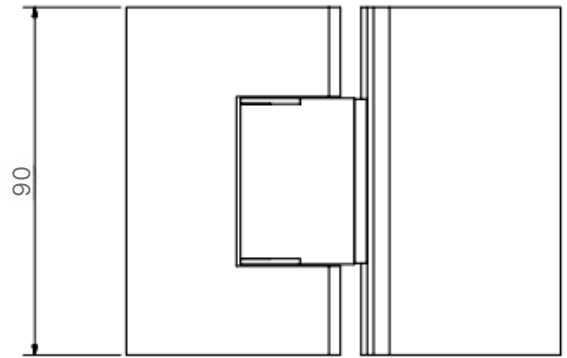
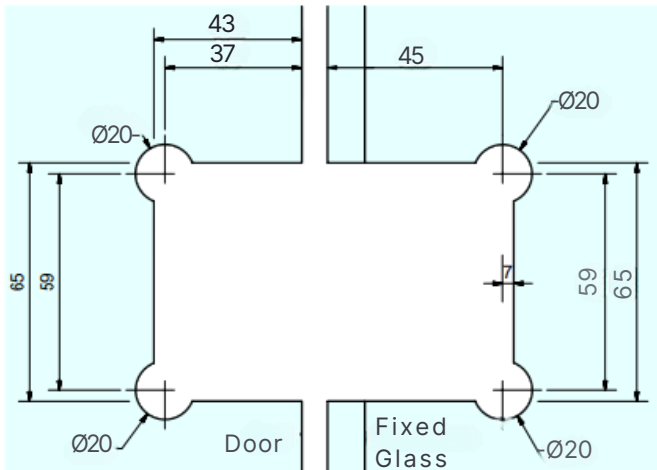
## T7 Glass to Glass 135°



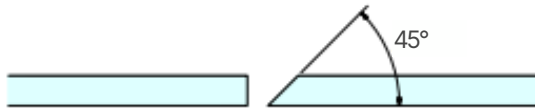
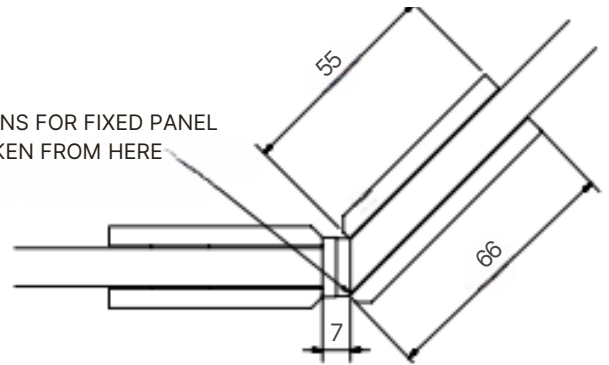
 8-10 mm	 35kg max
 762mm max	 cut out

Premium quality square glass to glass hinge 135°

FINISH	CODE
Bright Chrome	19-SH/036
Other finishes	Contact NFK



DIMENSIONS FOR FIXED PANEL TO BE TAKEN FROM HERE



NFK Glazing  
& Industrial Supplies

[www.nfk.com.au](http://www.nfk.com.au)

28 Devlan Street,  
Mansfield, QLD 4122

07 3343 3377

[sales@nfk.com.au](mailto:sales@nfk.com.au)

42 Tacoma Circuit,  
Canning Vale, WA 6155

08 9455 3866

[wasales@nfk.com.au](mailto:wasales@nfk.com.au)