



# T7 SERIES

PREMIUM QUALITY HINGES

- ✓ Premium quality components and surface finish for longer durability and excellent performance
- ✓ Suits Rabbit Ear cut-out
- ✓ Suitable for 8-10 mm glass thickness

## Hinges Capacities

| Number of hinges on one door | Max. weight | Max. width |
|------------------------------|-------------|------------|
| 2                            | 35kg        | 762mm      |

NFK Glazing  
& Industrial Supplies

[www.nfk.com.au](http://www.nfk.com.au)

📍 28 Devlan Street,  
Mansfield, QLD 4122

☎ 07 3343 3377

✉ [sales@nfk.com.au](mailto:sales@nfk.com.au)

📍 42 Tacoma Circuit,  
Canning Vale, WA 6155





☎ 08 9455 3866

✉ [wasales@nfk.com.au](mailto:wasales@nfk.com.au)



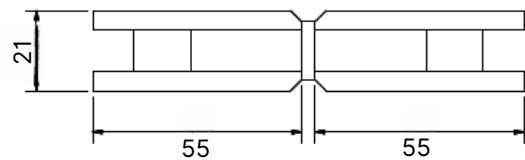
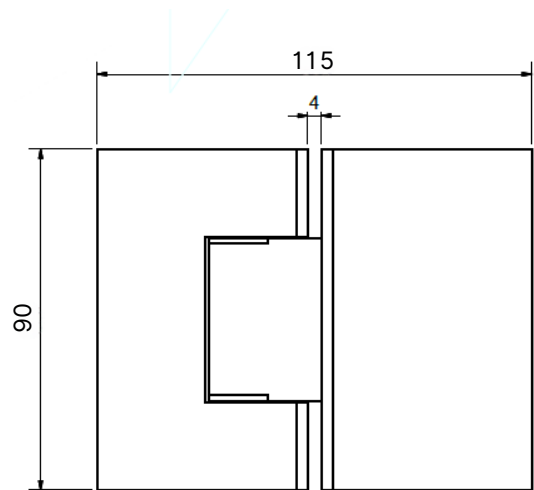
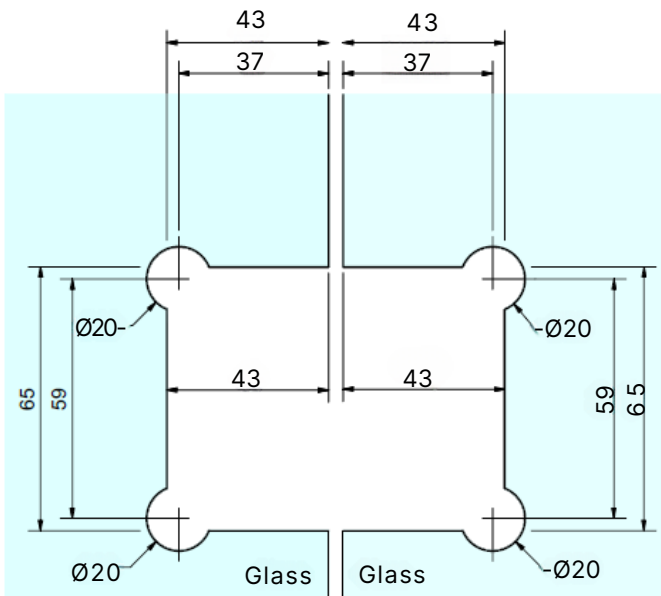
# T7 Glass to Glass 180°



|   |  |
|---|--|
|  8-10 mm   |  35kg max |
|  762mm max |  cut out  |

Premium quality square glass to glass hinge 180°

| FINISH         | CODE        |
|----------------|-------------|
| Bright Chrome  | 19-SH/035C  |
| Other finishes | Contact NFK |



NFK Glazing & Industrial Supplies

[www.nfk.com.au](http://www.nfk.com.au)

28 Devlan Street, Mansfield, QLD 4122

07 3343 3377

[sales@nfk.com.au](mailto:sales@nfk.com.au)

42 Tacoma Circuit, Canning Vale, WA 6155

08 9455 3866

[wasaless@nfk.com.au](mailto:wasaless@nfk.com.au)