



T7 SERIES

PREMIUM QUALITY HINGES

- ✓ Premium quality components and surface finish for longer durability and excellent performance
- ✓ Suits Rabbit Ear cut-out
- ✓ Suitable for 8-10 mm glass thickness

Hinges Capacities

Number of hinges on one door	Max. weight	Max. width
2	35kg	762mm

NFK Glazing
& Industrial Supplies

www.nfk.com.au

📍 28 Devlan Street,
Mansfield, QLD 4122

☎ 07 3343 3377

✉ sales@nfk.com.au

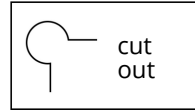
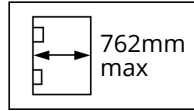
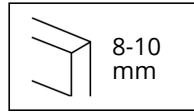
📍 42 Tacoma Circuit,
Canning Vale, WA 6155

☎ 08 9455 3866

✉ wasales@nfk.com.au

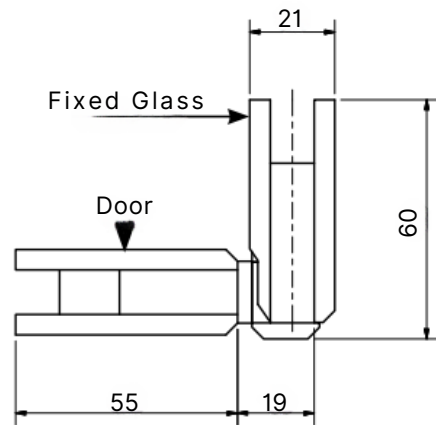
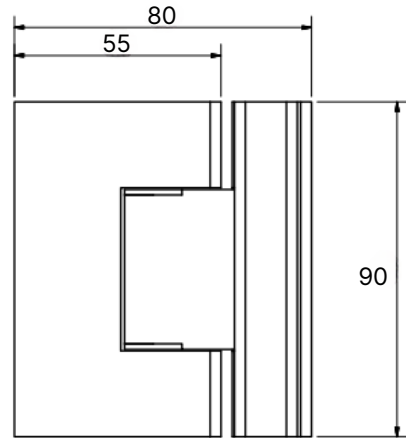
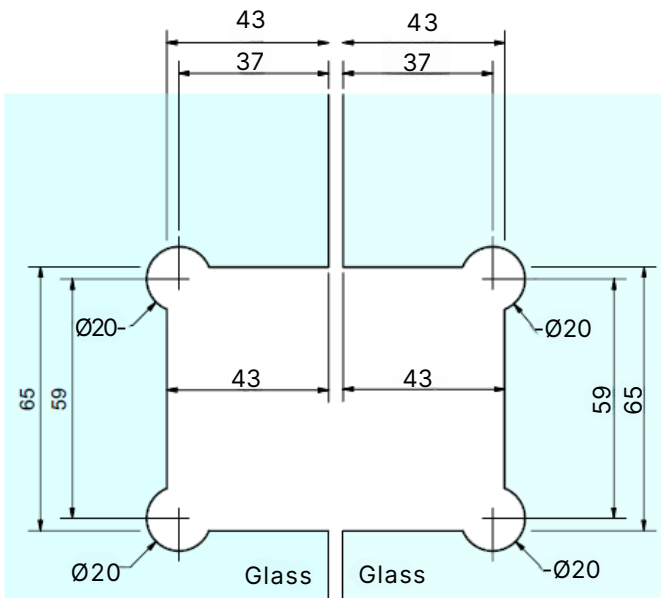


T7 Glass to Glass 90°



Premium quality square glass to glass hinge 90°

FINISH	CODE
Bright Chrome	19-SH/037C
Other finishes	Contact NFK



NFK Glazing
& Industrial Supplies

www.nfk.com.au

28 Devlan Street,
Mansfield, QLD 4122

07 3343 3377

sales@nfk.com.au

42 Tacoma Circuit,
Canning Vale, WA 6155

08 9455 3866

wasales@nfk.com.au