

biloba hinges  
FOR INTERNAL DOORS



# innovative design

Until now options for speed controlled Self Closing Pivot Doors have been limited to either In-ground Floor Springs or Concealed Overhead Closers.

Now we introduce the unique Biloba Hinge - first in the world and in a class of its own.

## After years of development and testing Biloba has arrived.

Biloba – unique, stylish and mechanically practical

- Biloba is a hydraulic hinge manufactured from high quality components and successfully cycle tested for more than 1million actions
- Italian designed and manufactured with an enviable stamp of quality that is second to none.
- Adjustable speed control via one small screw
- FAST and SIMPLE installation
- No concern about glass slippage – a pair of wall to glass hinges can carry 100kg door weight
- Various surface finishes available
- Available in Hold Open or Non Hold Open





unique quality



# hydraulic hinges

## FOR FRAMELESS GLASS DOORS

The new Biloba Hinge is a world first. It is now possible to hang a frameless glass door on two hinges, with a weight capacity of up to 100KG. Available in Hold Open or Non Hold Open, and due to the patented Hydraulic mechanism, the closing speed can be controlled and adjusted as desired.

Both Wall to Glass or Glass to Glass configurations and a range of surface finishes are available.

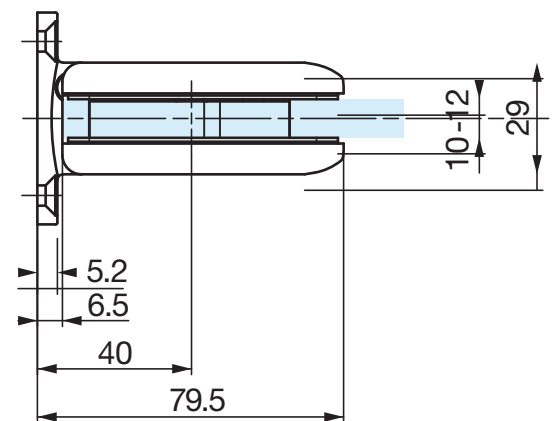
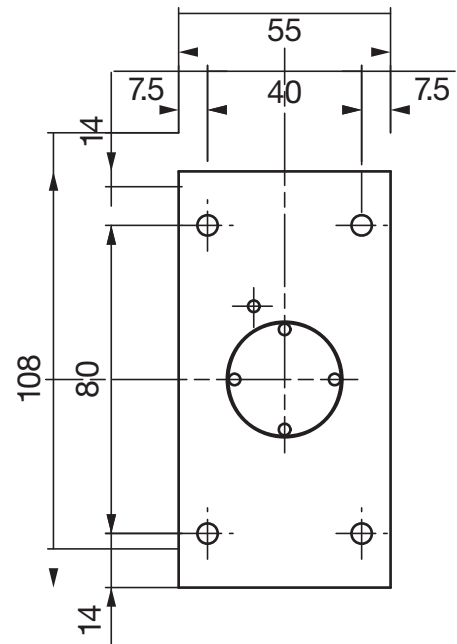
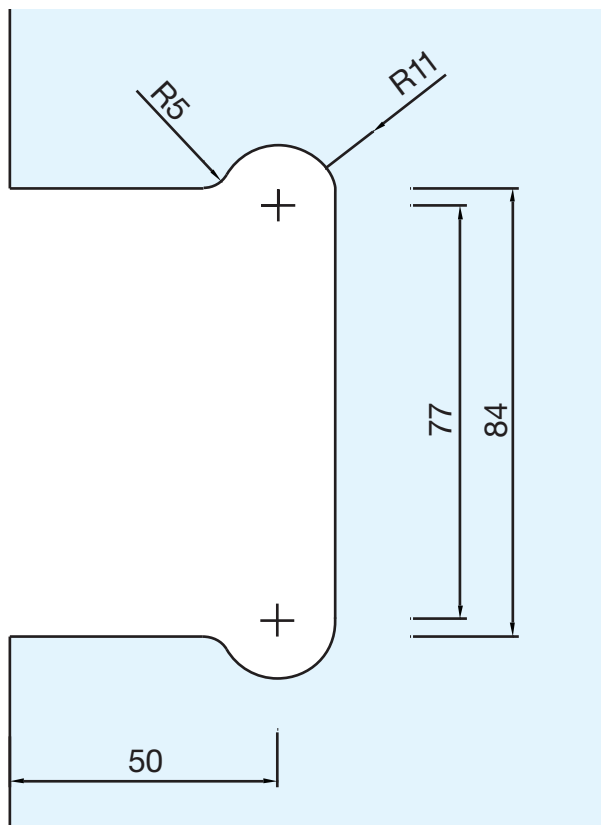
Being Italian designed and manufactured, the quality of this product is second to none, with the piece of mind from more than 1 million actions of cycle testing.





# Biloba Hinge

WALL MOUNT - FULL BACK PLATE



## technical details

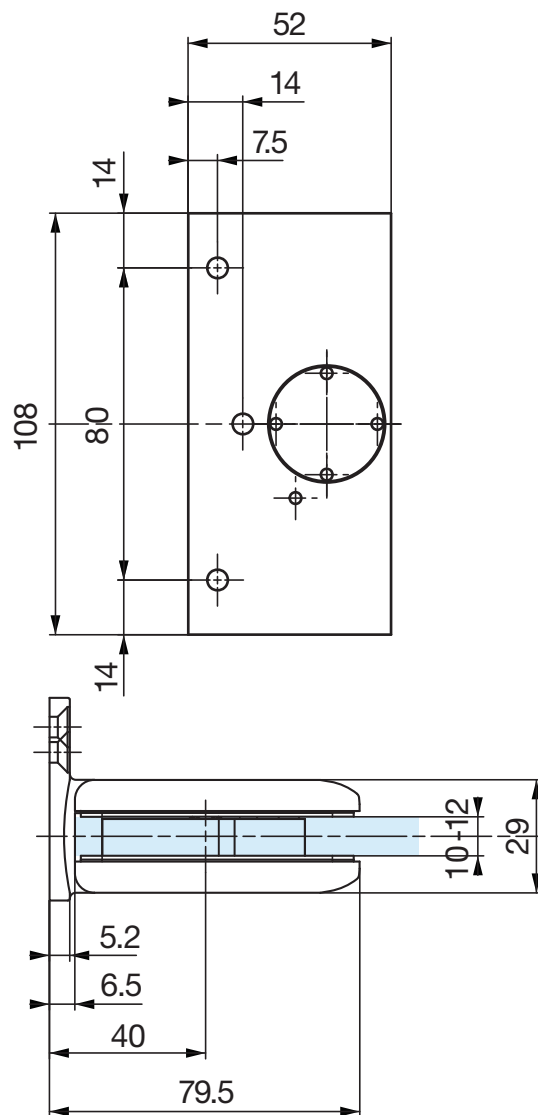
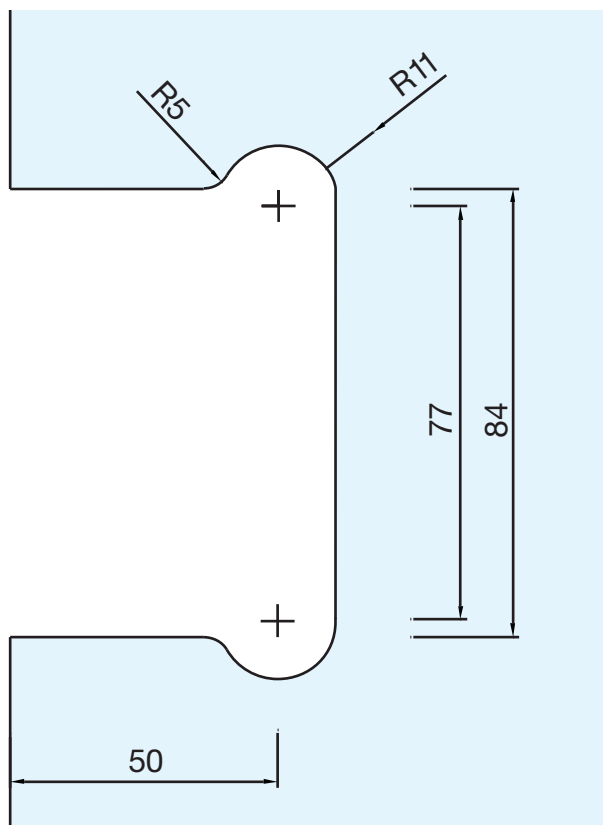
Glass:	10 ~ 12mm
Max Door Weight:	100kg
Max Door Width:	1000mm
All hinges are manufactured in Aluminium & PVD Coated, other finishes are available on request.	
Maximum two hinges per door	

description	code
Hold Open – Brushed Stainless Steel PVD Coated	19-SH/074
Hold Open – Bright Chrome	19-SH/074C
Non Hold Open – Brushed Stainless Steel PVD Coated	19-SH/071
Non Hold Open – Bright Chrome	19-SH/071C



# Biloba Hinge

WALL MOUNT - OFFSET BACK PLATE



## technical details

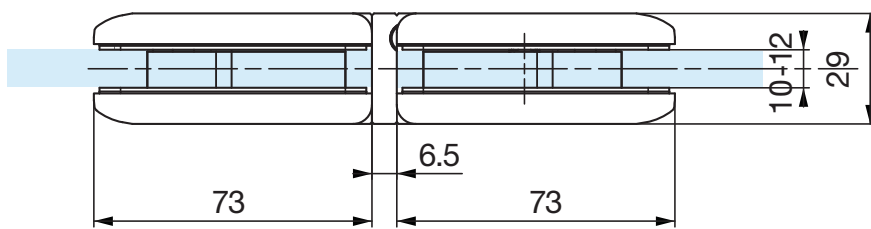
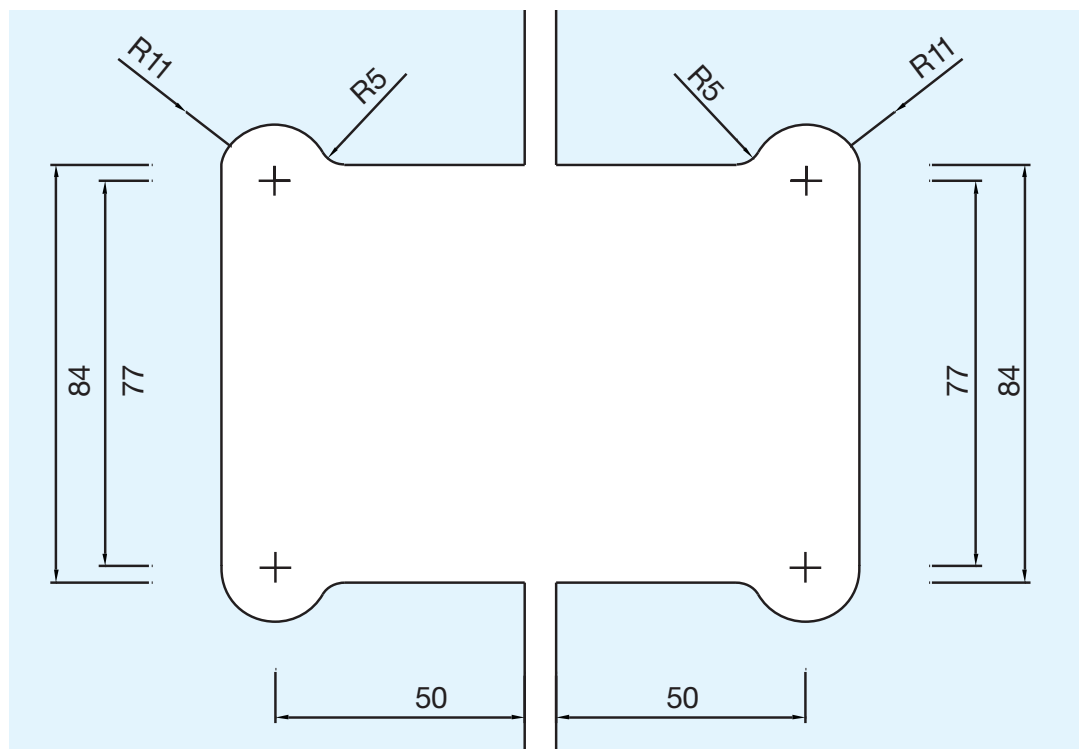
Glass:	10 ~ 12mm
Max Door Weight:	100kg
Max Door Width:	1000mm
All hinges are manufactured in Aluminium & PVD Coated, other finishes are available on request.	
Maximum two hinges per door	

description	code
Hold Open – Brushed Stainless Steel PVD Coated	19-SH/075
Hold Open – Bright Chrome	19-SH/075C
Non Hold Open – Brushed Stainless Steel PVD Coated	19-SH/072
Non Hold Open – Bright Chrome	19-SH/072C



# Biloba Hinge

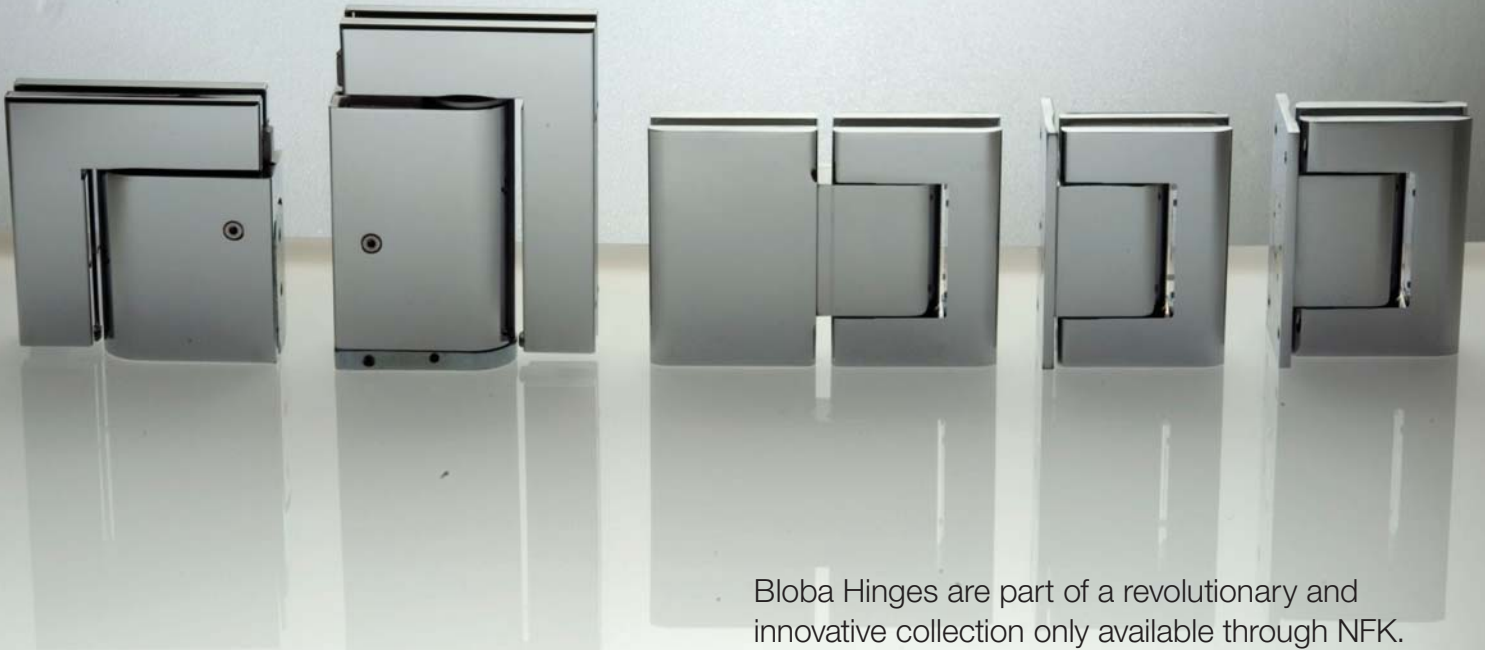
GLASS/GLASS 180°



## technical details

Glass:	10 ~ 12mm
Max Door Weight:	80kg
Max Door Width:	1000mm
All hinges are manufactured in Aluminium & PVD Coated, other finishes are available on request.	
Maximum two hinges per door	

description	code
Hold Open – Brushed Stainless Steel PVD Coated	19-SH/073
Hold Open – Bright Chrome	19-SH/073C
Non Hold Open – Brushed Stainless Steel PVD Coated	19-SH/070
Non Hold Open – Bright Chrome	19-SH/070C



Bloba Hinges are part of a revolutionary and innovative collection only available through NFK. Talk to us about the exciting possibilities for your next project.



NFK GLAZING & INDUSTRIAL SUPPLIES P/L

28 Devlan Street, Mansfield Qld 4122 Australia

PO Box 2091, Mansfield BC Qld 4122 Australia

**Phone: (07) 3343 3377**

Fax: (07) 3343 6877

Toll Free: 1800 064 596

Email: [sales@nfk.com.au](mailto:sales@nfk.com.au)

[www.nfk.com.au](http://www.nfk.com.au)

