



ARCHITECTURAL GLASS FITTINGS
TRILOBA HYDRAULIC HINGE



**Triloba Frameless Glass Door Hinges –
designed and manufactured in Italy.**

The concept of swinging a frameless toughened glass door on patch fittings is not new, however the design of Triloba incorporates both the patch fitting and hydraulic door closer within the one component.

A great advantage of the Triloba system - apart from its unique shape and design - is the ability to “surface mount” the bottom hinge directly onto the floor. There is no need for messy and time consuming installation of in-ground floor closers. Should the door/s require removal in the future, a building tenant has only three small drill holes in the concrete to fill. Aluminium door heads with Concealed Overhead Closers can be totally eliminated.

Design options are varied, as the hinges can be installed as single or double doors, as shown on the opposite page with solid surrounds on all sides. Or with a combination of glass side-lites, and/or overhead fixed glass panels, as shown on page 6.

Suitable for 12mm glass doors up to 150kg and 1200mm wide, doors of 1200mm x 3000mm are well within the operable range.

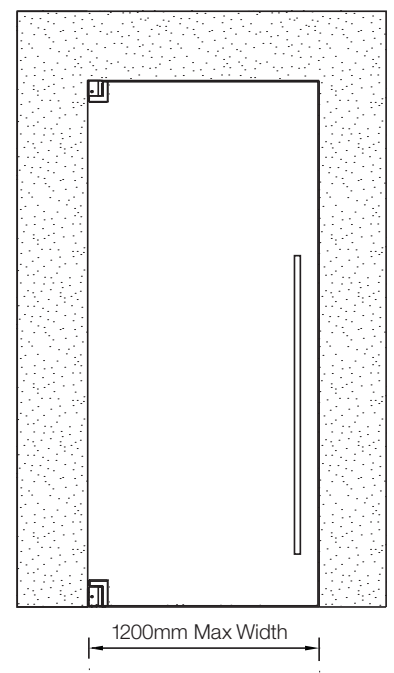
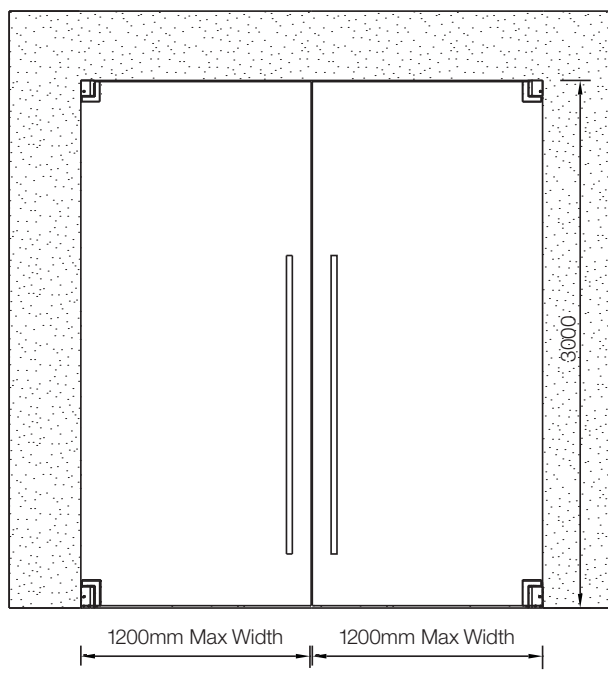
Please log onto www.nfk.com.au, email or call us for more information.

design excellence

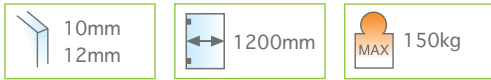


Left - animated detail showing the Triloba internal components

Below - two common design options, showing the hinge and glass proportions to scale. Mechanically, the hinges are able to carry a door 1.2mtr wide x 3.5mtrs high in 12mm toughened glass (AS1288 glazing code should be consulted)

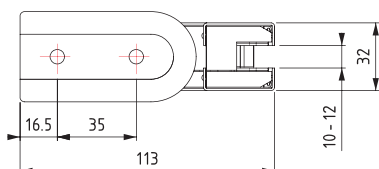
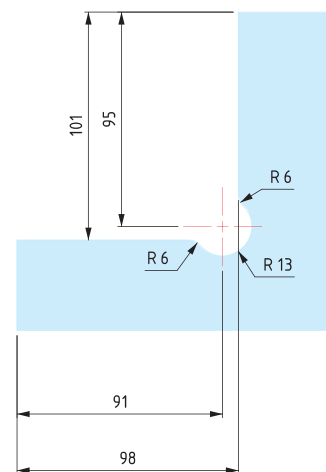
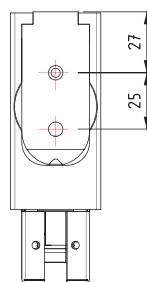
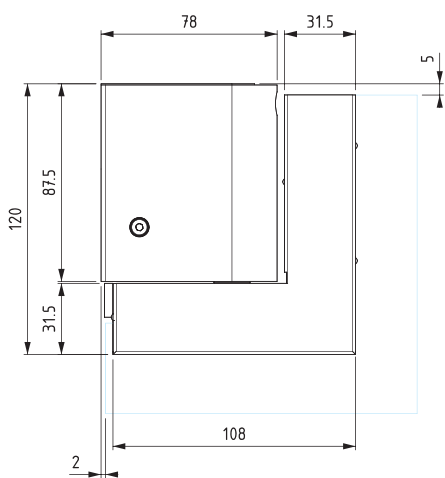


Triloba Top Hinge



Triloba is unique in that the top and bottom hinges work in partnership.

The function of the top hinge is to offer breaking resistance, removing the possibility of the door closing faster than the bottom hinge allows.



Triloba Bottom Hinge

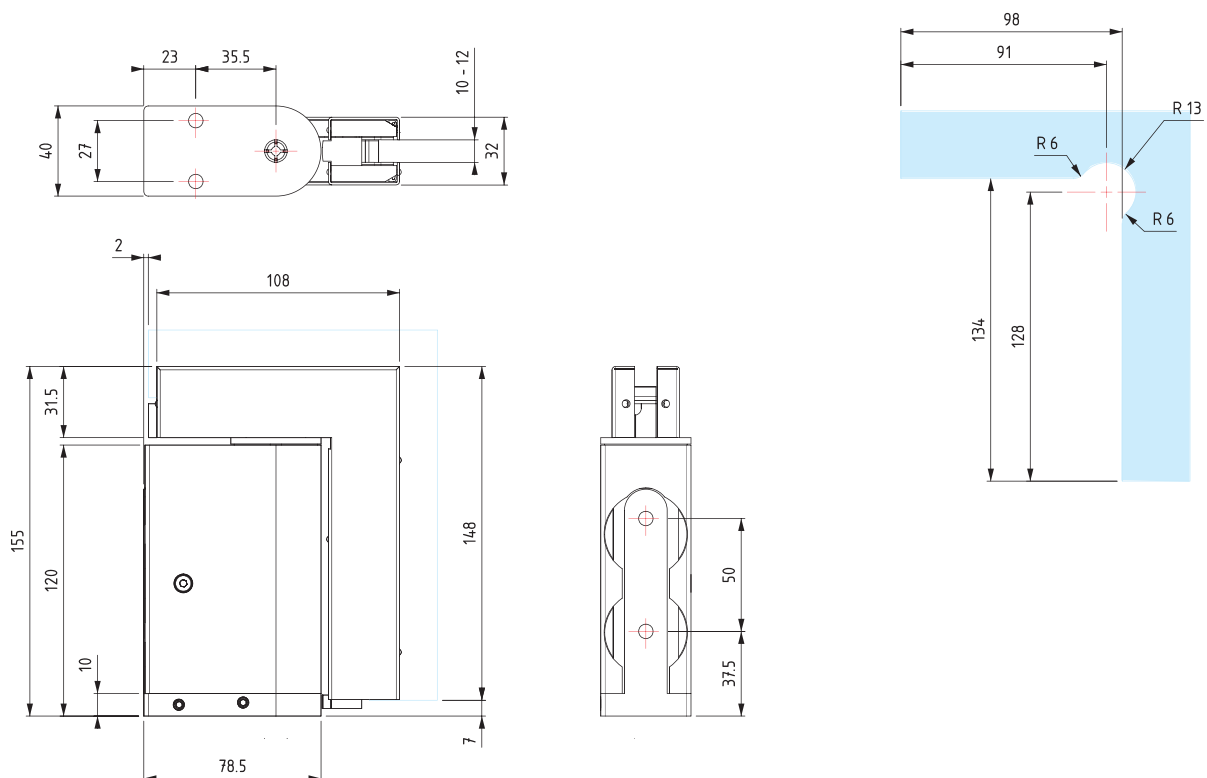


Triloba is unique in that the top and bottom hinges work in partnership.

The function of the bottom hinge is to offer closing force. Triloba is a double action hinge with stops at +90°, 0°, -90°.



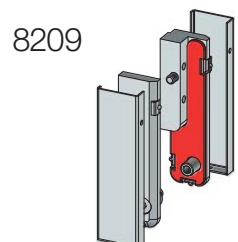
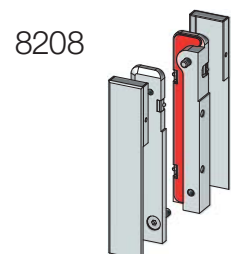
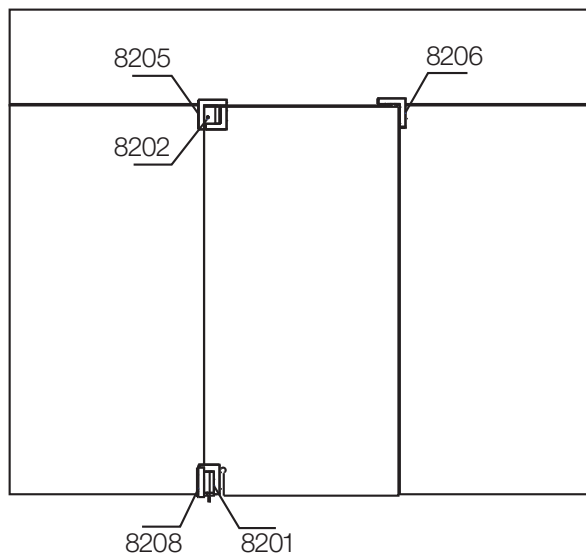
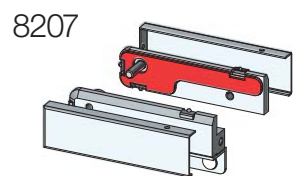
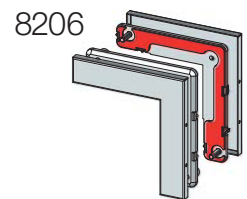
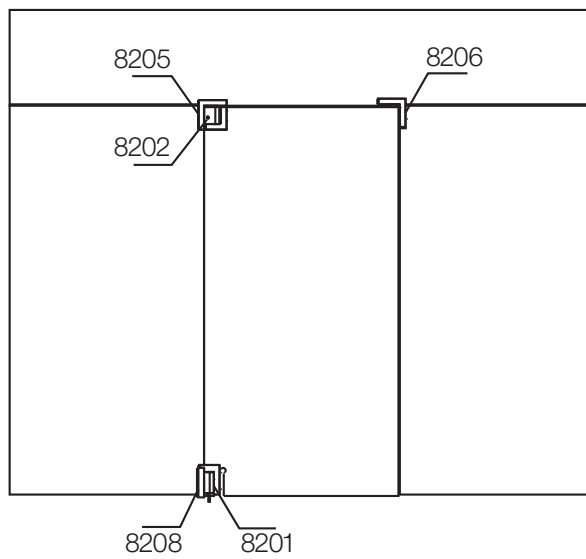
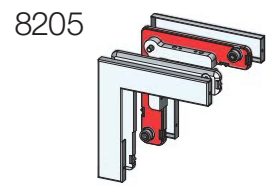
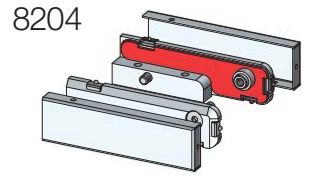
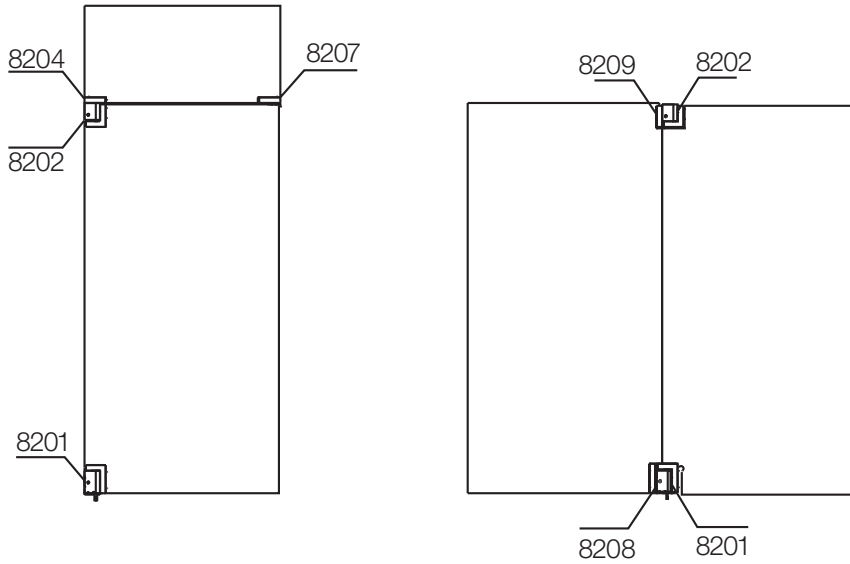
Control valve
for the closing
speed of the door



	Code	Description	Glass mm
	8201 TRILOBA	Oildynamic hinge with adjustment of the closing speed of the door. Stop at 0° +90° -90°	10-12
	8202 TRILOBA	Oildynamic hinge with control valve for brake	10-12
	8204 TRILOBA	Upper-segment attachment-side wall without stop	10-12
	8205 TRILOBA	Upper-segment attachment-side glass without stop	10-12
	8206 TRILOBA	Upper-segment attachment-side glass with stop	10-12
	8207 TRILOBA	Upper-segment attachment-side wall with stop	10-12
	8208 TRILOBA	Bottom hinge attachment-side glass	10-12
	8209 TRILOBA	Upper hinge attachment-side glass	10-12

Configuration options

using Triloba accessories, where side or overhead fixed glass panels are required





NFK GROUP OF COMPANIES

NFK GLAZING & INDUSTRIAL SUPPLIES P/L

28 Devlan Street, Mansfield Qld 4122 Australia

PO Box 2091, Mansfield BC Qld 4122 Australia

Phone: (07) 3343 3377

Fax: (07) 3343 6877

Toll Free: 1800 064 596

Email: sales@nfk.com.au

www.nfk.com.au

