



# NFK GLAZING & INDUSTRIAL SUPPLIES

Professional Products for the Glass & Glazing industry



# BILOBA UNICA

HYDRAULIC DOOR CLOSER


We Build the Invisible




indoor / outdoor applications

NFK Glazing  
& Industrial Supplies


[www.nfk.com.au](http://www.nfk.com.au)

 28 Devlan Street,  
Mansfield, QLD 4122

 07 3343 3377

 [sales@nfk.com.au](mailto:sales@nfk.com.au)

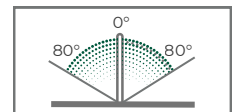
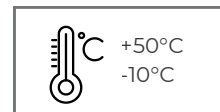
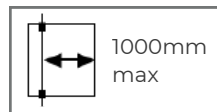
 42 Tacoma Circuit,  
Canning Vale, WA 6155

 08 9455 3866

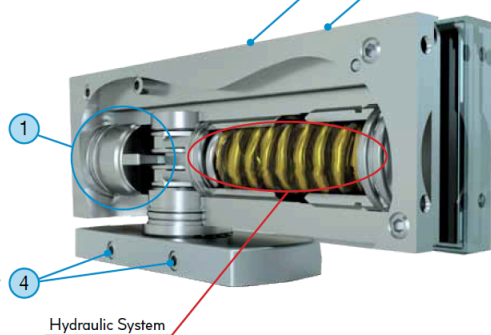
 [wasales@nfk.com.au](mailto:wasales@nfk.com.au)



- This unique product is designed and manufactured in Italy
- A miniaturised hydraulic door closer, concealed within a corner patch fitting 56mm(high)x167mm(long)
- Suitable for glass doors from 8mm to 13.52mm thick
- Maximum Door Width: 1000mm
- Adjustable closing and latching speeds
- 90° Hold Open
- The closing automatism kicks in within the 70 °- 80 ° range. The closing is soft for the first 20° and is speed-adjustable from 60° to full closing.
- Suitable for indoor/outdoor applications



2 Final latch adjuster 3 Closing speed adjuster

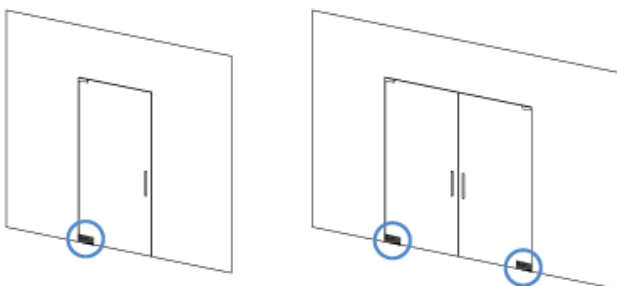


4 Door alignment adjuster

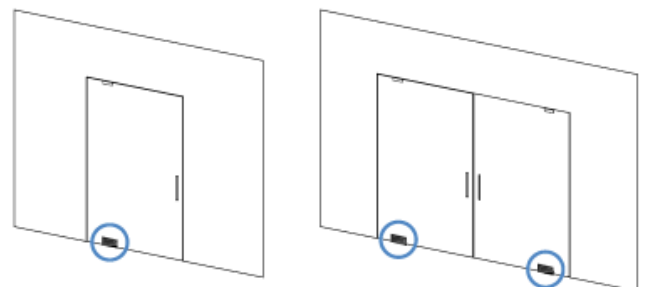
Hydraulic System

A SINGLE hinge can be used to support heavy doors without having to change the closing mechanism, which remains automatic. The pivot variant can be mounted on very large doors, providing excellent stability, safety and minimum space.

## STANDARD APPLICATION



## PIVOT APPLICATION



NFK Glazing  
& Industrial Supplies

[www.nfk.com.au](http://www.nfk.com.au)

28 Devlan Street,  
Mansfield, QLD 4122

07 3343 3377

[sales@nfk.com.au](mailto:sales@nfk.com.au)

42 Tacoma Circuit,  
Canning Vale, WA 6155

08 9455 3866

[wasales@nfk.com.au](mailto:wasales@nfk.com.au)

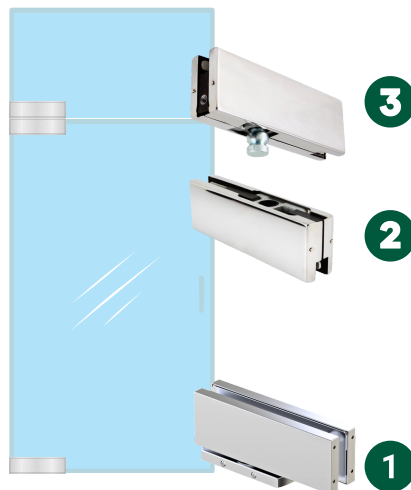
## BILOBA UNICA KITS

Set #	Mounting	Type	Finish	Components	Code
#1 Kit	Frameless glass door / wall	Hold-Open	Satin	Top Corner Patch, Top Pivot transom, Biloba Unica bottom patch	19-SH/0781.77
#1 Kit	Frameless glass door / wall	Hold-Open	Polished	Top Corner Patch, Top Pivot transom, Biloba Unica bottom patch	19-SH/0781.99
#1 Kit	Frameless glass door / wall	Hold-Open	Matt Black	Top Corner Patch, Top Pivot transom, Biloba Unica bottom patch	19-SH/0781.44
#1 Kit	Frameless glass door / wall	Non-Hold-Open	Satin	Top Corner Patch, Top Pivot transom, Biloba Unica bottom patch	19-SH/078NHO.77
#1 Kit	Frameless glass door / wall	Non-Hold-Open	Polished	Top Corner Patch, Top Pivot transom, Biloba Unica bottom patch	19-SH/078NHO.99
#2 Kit	Frameless glass door / High-Lite	Hold-Open	Satin	Top Corner Patch, High-Lite Pivot Patch, Biloba Unica bottom patch	19-SH/0782.77
#2 Kit	Frameless glass door / High-Lite	Hold-Open	Polished	Top Corner Patch, High-Lite Pivot Patch, Biloba Unica bottom patch	19-SH/0782.99
#3 Kit	Frameless glass door / High-Lite/ Side-Lite	Hold-Open	Satin	Top Corner Patch, Corner link Patch with Pivot, Biloba Unica bottom patch	19-SH/0783.77
#3 Kit	Frameless glass door / High-Lite/ Side-Lite	Hold-Open	Polished	Top Corner Patch, Corner link Patch with Pivot, Biloba Unica bottom patch	19-SH/0783.99

**Kit #1**



**Kit #2**



**Kit #3**



NFK Glazing  
& Industrial Supplies

[www.nfk.com.au](http://www.nfk.com.au)

28 Devlan Street,  
Mansfield, QLD 4122

07 3343 3377

[sales@nfk.com.au](mailto:sales@nfk.com.au)

42 Tacoma Circuit,  
Canning Vale, WA 6155

08 9455 3866

[wasales@nfk.com.au](mailto:wasales@nfk.com.au)

### Kit #3



1

Biloba Unica hydraulic door closer



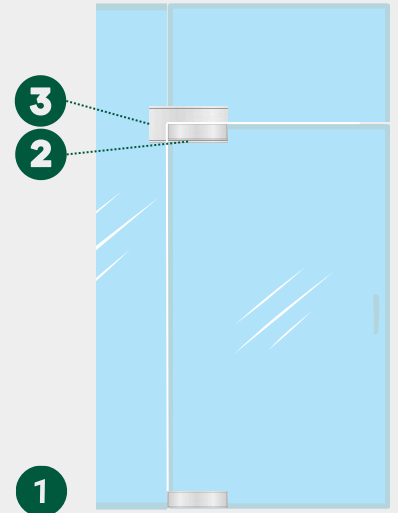
2

Top Corner Patch



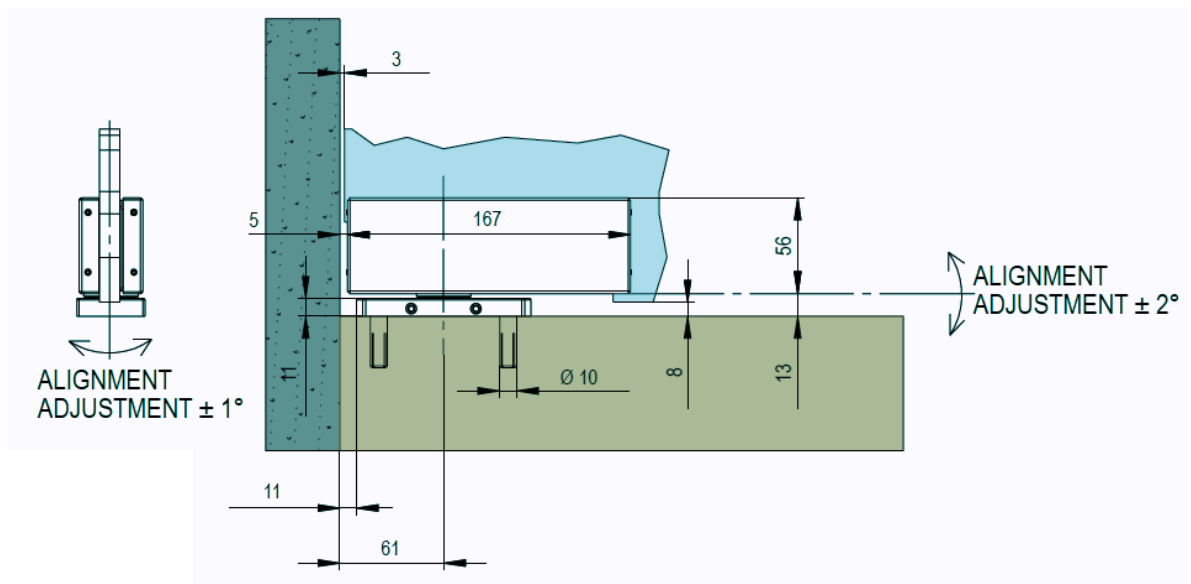
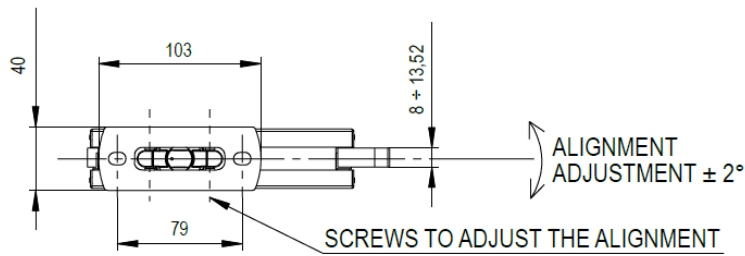
3

Corner link Patch with Pivot



1

1



NFK Glazing  
& Industrial Supplies

[www.nfk.com.au](http://www.nfk.com.au)

28 Devlan Street,  
Mansfield, QLD 4122

07 3343 3377

[sales@nfk.com.au](mailto:sales@nfk.com.au)

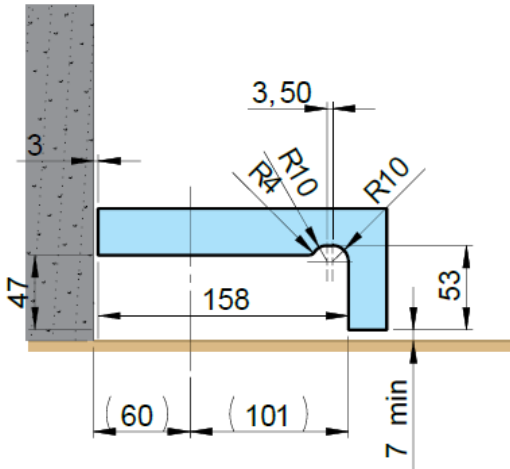
42 Tacoma Circuit,  
Canning Vale, WA 6155

08 9455 3866

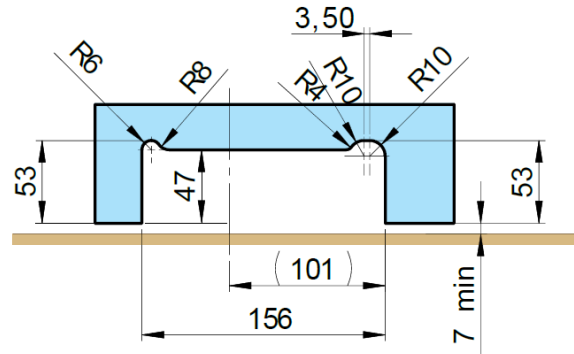
[wasaless@nfk.com.au](mailto:wasaless@nfk.com.au)

## GLASS CUTOUT for Kit #3

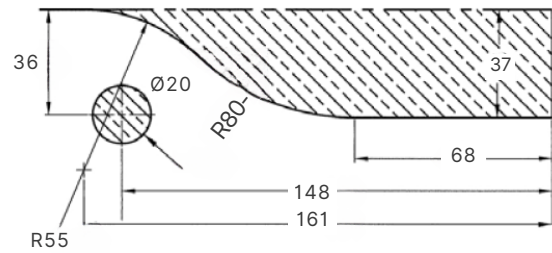
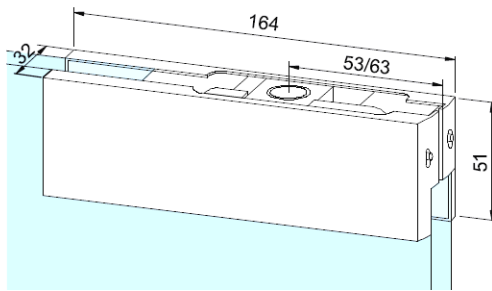
1



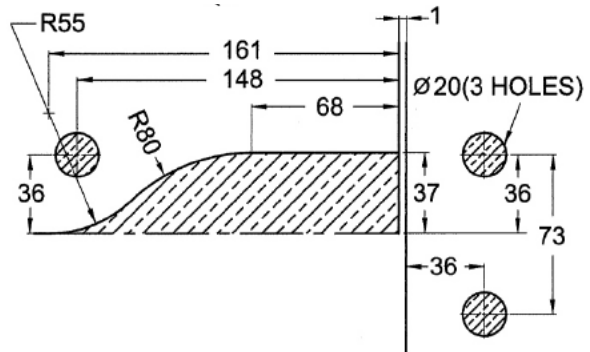
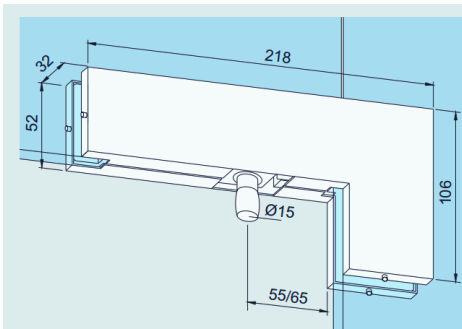
Glass processing for pivoting applications



2



3



NFK Glazing  
& Industrial Supplies

[www.nfk.com.au](http://www.nfk.com.au)

28 Devlan Street,  
Mansfield, QLD 4122

07 3343 3377

[sales@nfk.com.au](mailto:sales@nfk.com.au)

42 Tacoma Circuit,  
Canning Vale, WA 6155

08 9455 3866

[wasales@nfk.com.au](mailto:wasales@nfk.com.au)