



BILOBA EVO

We Build the Invisible




REVOLUTIONARY OIL DYNAMIC DOOR
CLOSER HINGES


For Internal and External Doors

Glass-to-Glass | Wall-to-Glass Mounting

NFK Glazing
& Industrial Supplies


www.nfk.com.au

 28 Devlan Street,
Mansfield, QLD 4122

 07 3343 3377

 sales@nfk.com.au

 42 Tacoma Circuit,
Canning Vale, WA 6155

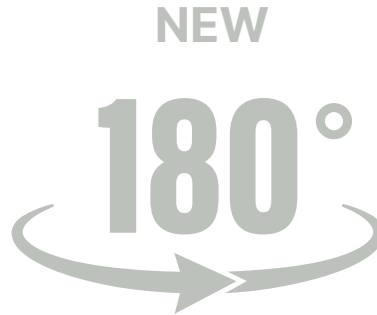
 08 9455 3866

 wasales@nfk.com.au

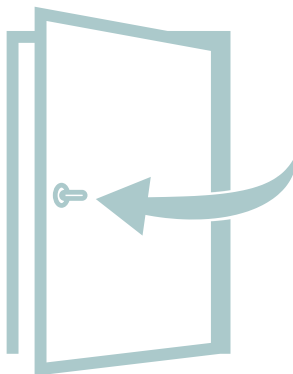
Biloba EVO Hinge Versions



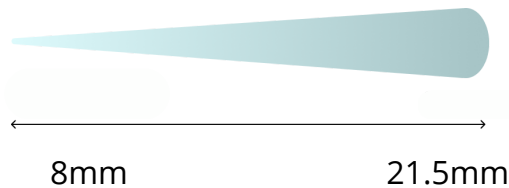
Glass to wall hydraulic and free-swing hinges



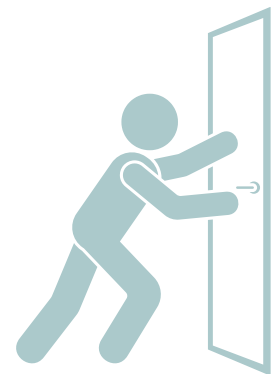
Glass to glass hydraulic and free-swing hinges



Final closing clicking adjustment



Suitable for glass thicknesses up to 21,52mm



Door weight up to 120 Kg

- Designed, engineered and manufactured in Italy
- Hinge with internal mechanism and oildynamic system protected by international patents
- Minimum installation time and effort
- Must be used with a jamb stop or latch



We Build the Invisible



NFK Glazing
& Industrial Supplies

www.nfk.com.au

📍 28 Devlan Street,
Mansfield, QLD 4122

☎ 07 3343 3377

✉ sales@nfk.com.au

📍 42 Tacoma Circuit,
Canning Vale, WA 6155

☎ 08 9455 3866

✉ wasales@nfk.com.au



- Adjustable closing and constant braking control, for all door opening angles up to 180°
- Also available in the version with closing automatism from 90° to 0°
- It prevents unhinging through a shock absorber and has an over-pressure device that avoids breaking in accidental shoving scenarios

We Build the Invisible



NFK Glazing
& Industrial Supplies

www.nfk.com.au

📍 28 Devlan Street,
Mansfield, QLD 4122

☎ 07 3343 3377

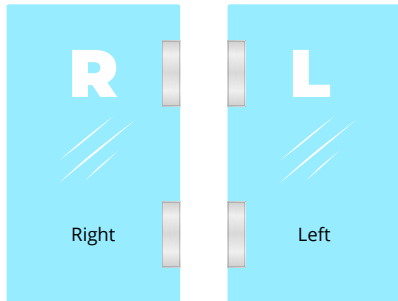
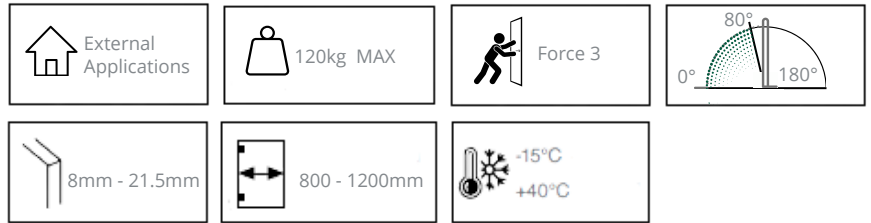
✉ sales@nfk.com.au

📍 42 Tacoma Circuit,
Canning Vale, WA 6155

☎ 08 9455 3866

✉ wasales@nfk.com.au

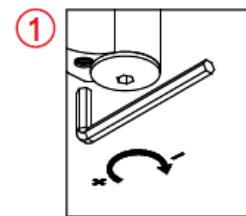
BILOBA EVO HINGES KIT#1



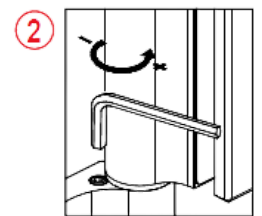
- The kit is suitable for external right-hand or left-hand doors
- Manufactured in aluminium with an anodised finish
- The kit contains 2 wall-to-glass hydraulic hinges
- Hold Open at 90° and 180°
- Automatic Closing From 0° to 80°
- Adjustable closing speed and constant braking control
- Suitable for door width from 800mm to 1200mm and up to 120kg weight
- Glass thickness range from 8mm to 21.5mm
- Jamb depth should be from 30 to 50 mm with a stop
- Cut-out is required

Kit* code	Finish	Door type
19-SH/0835E10SLA	Anodised	Left
19-SH/0835E10SRA	Anodised	Right

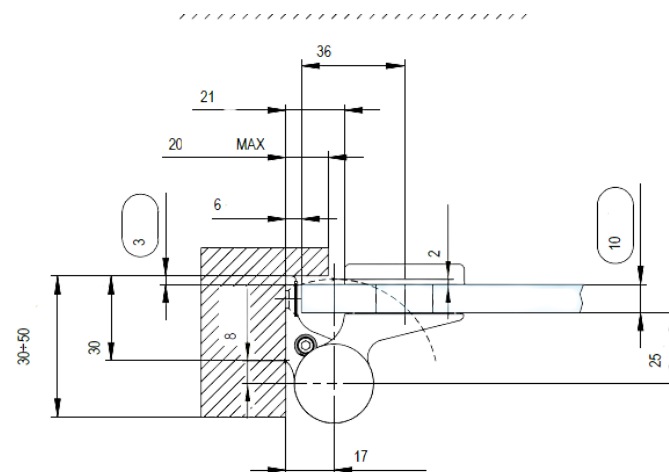
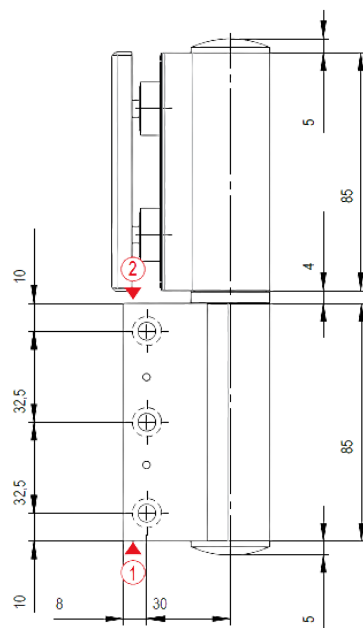
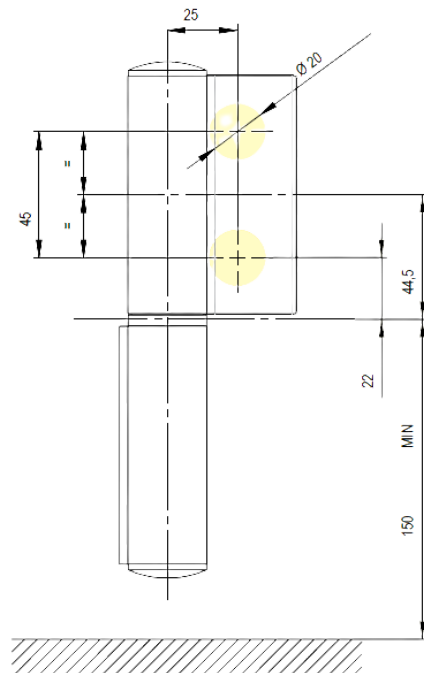
*The kit contains 2 wall-to-glass hydraulic hinges for one door



Final latch adjustment



Closing speed adjustment



NFK Glazing
& Industrial Supplies

www.nfk.com.au

28 Devlan Street,
Mansfield, QLD 4122

07 3343 3377

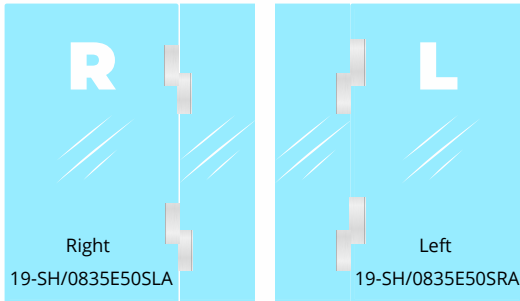
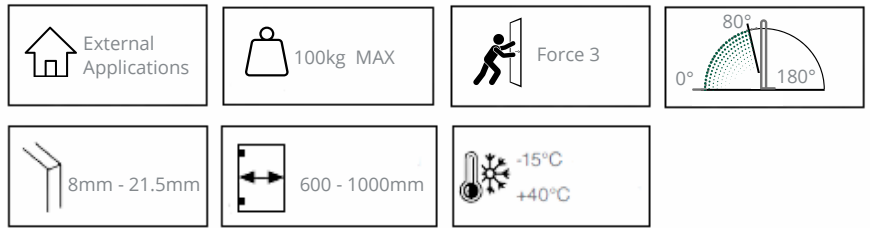
sales@nfk.com.au

42 Tacoma Circuit,
Canning Vale, WA 6155

08 9455 3866

wasales@nfk.com.au

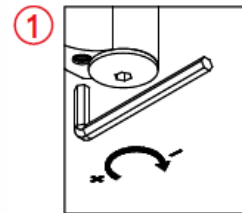
BILOBA EVO HINGES KIT#2



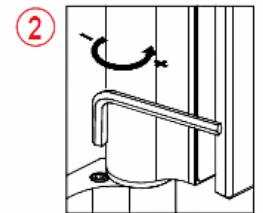
- The kit is suitable for external right-hand or left-hand doors
- Manufactured in aluminium with an anodised finish
- The kit contains 2 glass-to-glass hydraulic hinges
- Hold Open at 90° and 180°
- Automatic closing from 0° to 80°
- Adjustable closing speed and constant braking control
- Suitable for door width from 800mm to 1000mm and up to 100kg weight
- Glass thickness range from 8mm to 21.5mm
- Jamb depth should be from 30 to 50 mm with a stop
- Cut-out is required

Kit* code	Finish	Door type
19-SH/0835E50SLA	Anodised	Left
19-SH/0835E50SRA	Anodised	Right

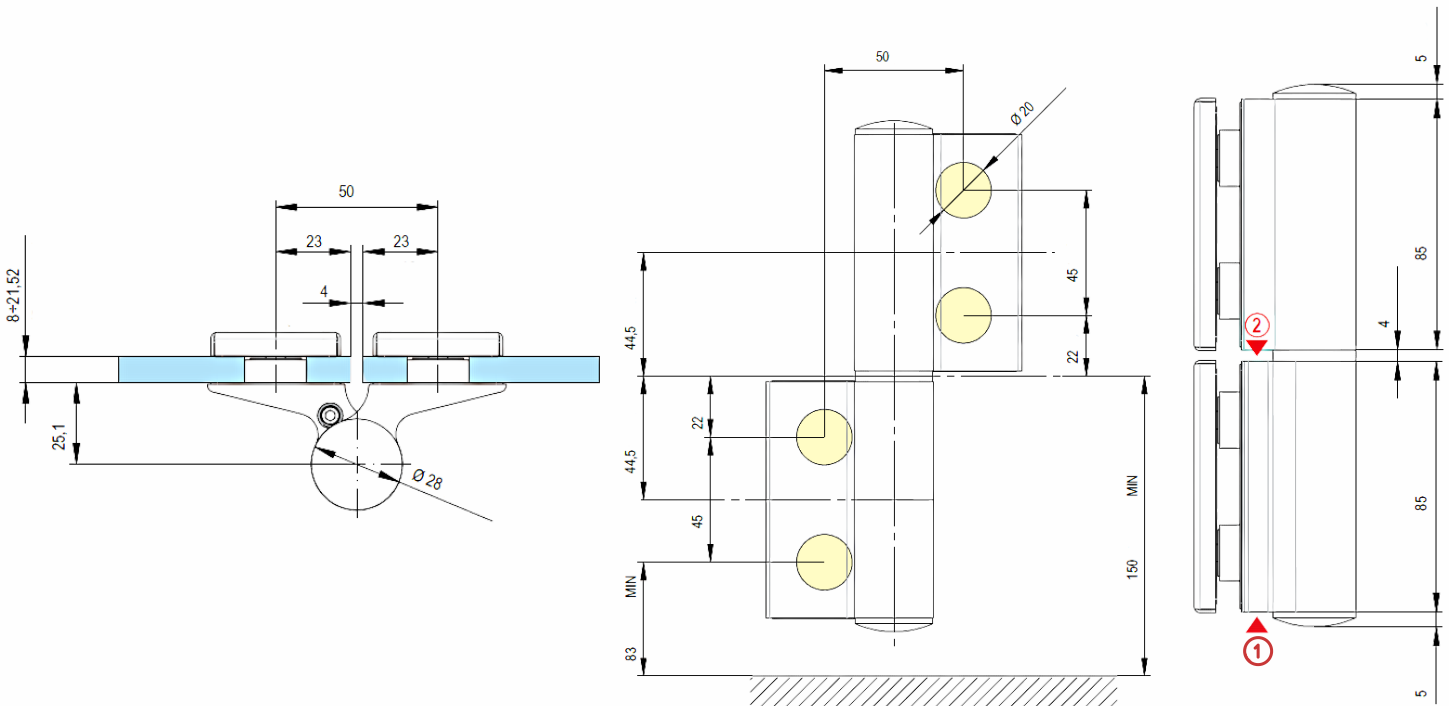
*The kit contains 2 glass-to-glass hydraulic hinges for one door

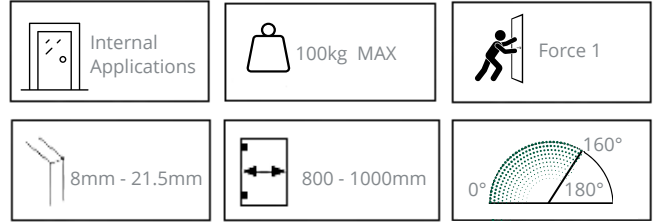


Final latch adjustment

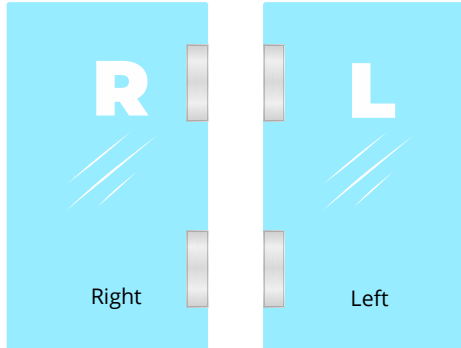


Closing speed adjustment





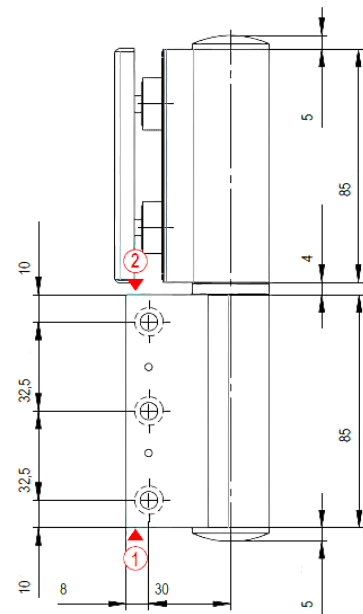
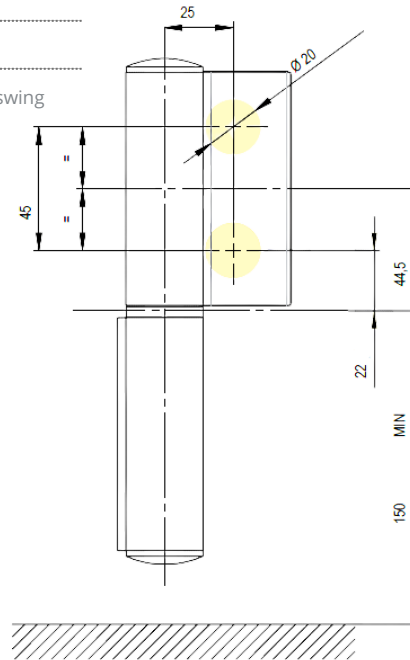
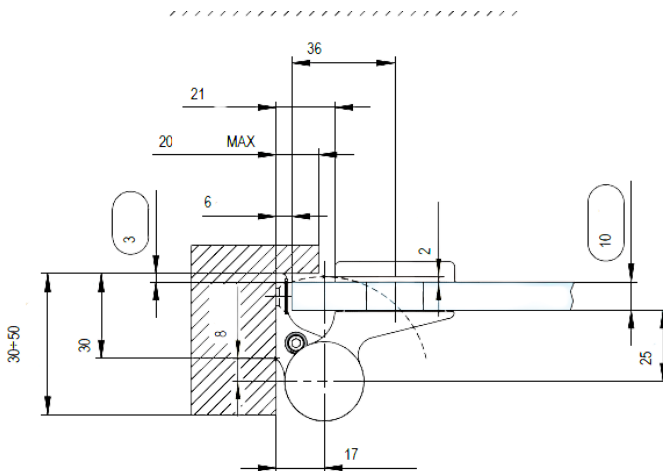
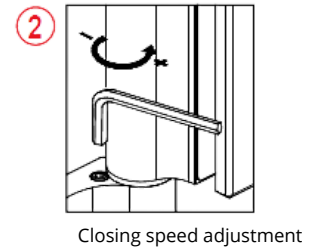
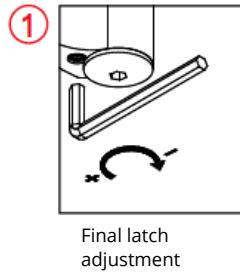
BILOBA EVO HINGES KIT#3



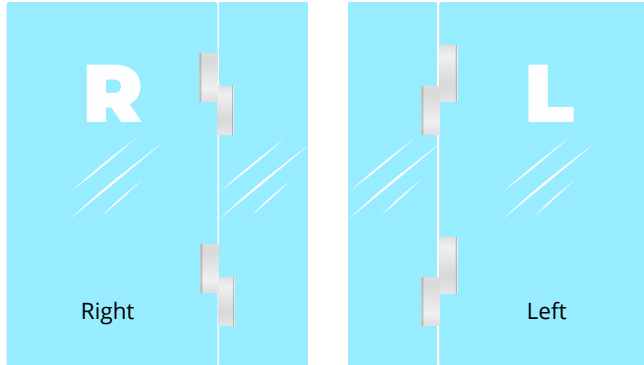
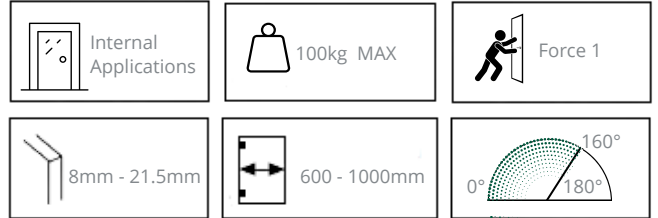
- The kit is suitable for internal right-hand or left-hand doors
- Manufactured in aluminium
- The kit contains 2 wall-to-glass hinges: hydraulic (bottom) and free-swing (top)
- Hold Open at 180°
- Automatic closing from 160° to 0°
- The bottom hinge has an adjustable closing speed and constant braking control
- Suitable for door width from 800mm to 1000mm, up to 100kg weight
- Glass thickness range from 8mm to 21.5mm
- Jamb depth should be from 30 to 50 mm with a stop
- Cut-out is required

Kit* code	Finish	Door type
19-SH/0835E10NSLA	Anodised	Left
19-SH/0835E10NSRA	Anodised	Right
19-SH/0835E10NSLB	Brushed	Left
19-SH/0835E10NSRB	Brushed	Right
19-SH/0835E10NSLC	Chrome	Left
19-SH/0835E10NSRC	Chrome	Right
19-SH/0835E10NSLBK	Black	Left
19-SH/0835E10NSRBK	Black	Right

*The kit contains 2 wall-to-glass hinges: hydraulic (bottom) and free-swing (top) for one door



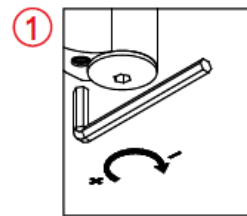
BILOBA EVO HINGES KIT#4



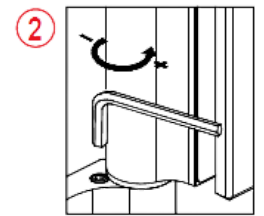
- The kit is suitable for internal right-hand or left-hand doors
- Manufactured in aluminium
- The kit contains 2 glass-to-glass hinges: hydraulic (bottom) and free-swing (top)
- Hold Open at 180°
- Automatic closing from 160° to 0°
- The bottom hinge has an adjustable closing speed and constant braking control
- Suitable for door width from 600mm to 1000mm, up to 100kg weight
- Glass thickness range from 8mm to 21.5mm
- Jamb depth should be from 30 to 50 mm with a stop
- Cut-out is required

Kit* code	Finish	Door type
19-SH/0835E50NSLA	Anodised	Left
19-SH/0835E50NSRA	Anodised	Right
19-SH/0835E50NSLB	Brushed	Left
19-SH/0835E50NSRB	Brushed	Right
19-SH/0835E50NSLC	Chrome	Left
19-SH/0835E50NSRC	Chrome	Right
19-SH/0835E50NSLBK	Black	Left
19-SH/0835E50NSRBK	Black	Right

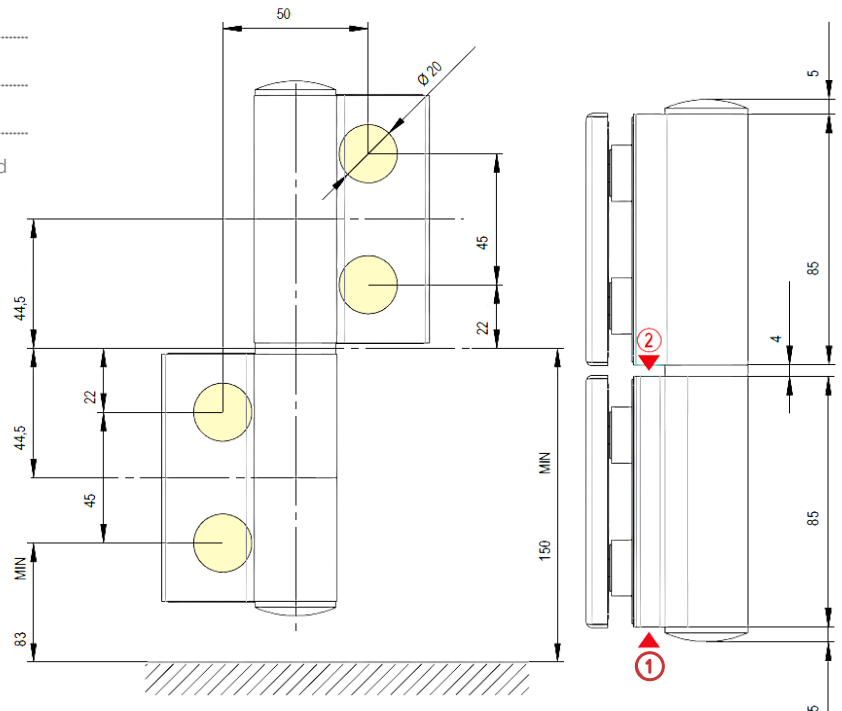
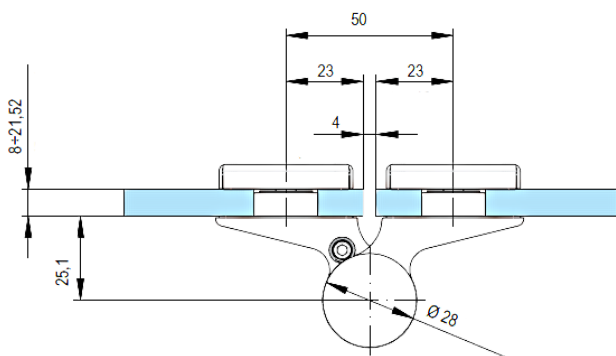
*The kit contains 2 glass-to-glass hinges: hydraulic (bottom) and free-swing (top) for one door



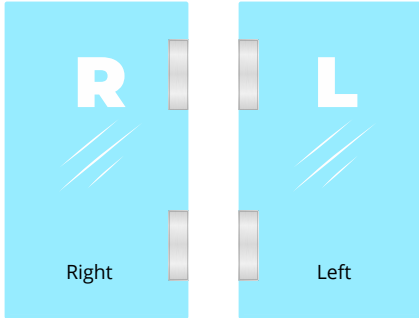
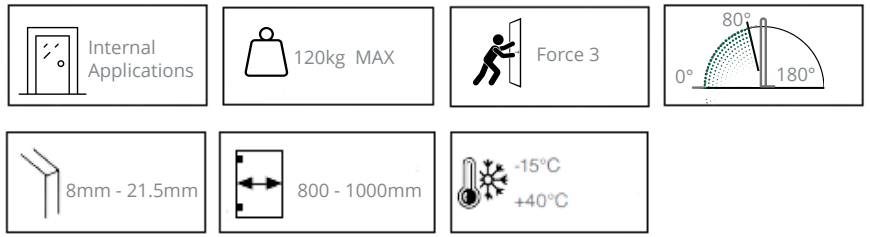
Final latch adjustment



Closing speed adjustment



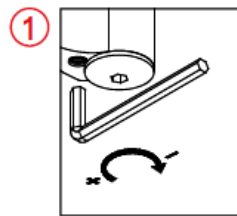
BILOBA EVO HINGES KIT#5



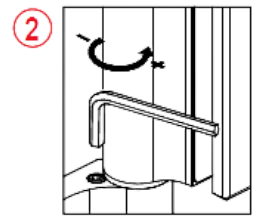
- The kit is suitable for internal right-hand or left-hand doors
- Manufactured in aluminium
- The kit contains 2 wall-to-glass hydraulic hinges
- Hold Open at 90° and 180°
- Automatic closing from 0° to 80°
- Adjustable closing speed and constant braking control
- Suitable for door width from 800mm to 1200mm, up to 120kg weight
- Glass thickness range from 8mm to 21.5mm
- Jamb depth should be from 30 to 50 mm with a stop
- Cut-out is required

Kit* code	Finish	Door type
19-SH/0835E10SLB	Brushed	Left
19-SH/0835E10SRB	Brushed	Right
19-SH/0835E10SLC	Chrome	Left
19-SH/0835E10SRC	Chrome	Right
19-SH/0835E10SLBK	Black	Left
19-SH/0835E10SRBK	Black	Right

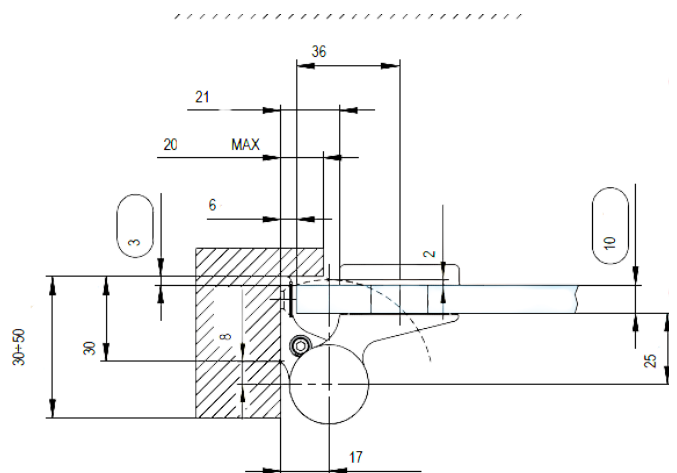
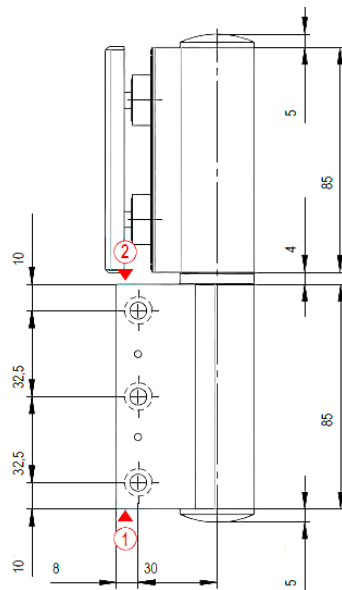
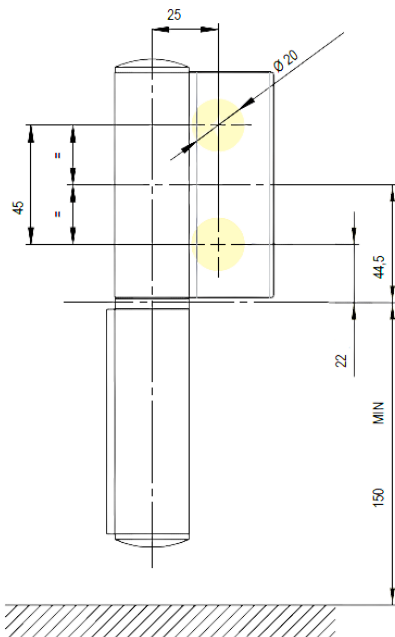
*The kit contains 2 wall-to-glass hydraulic hinges for one door



Final latch adjustment



Closing speed adjustment



NFK Glazing
& Industrial Supplies

www.nfk.com.au

28 Devlan Street,
Mansfield, QLD 4122

07 3343 3377

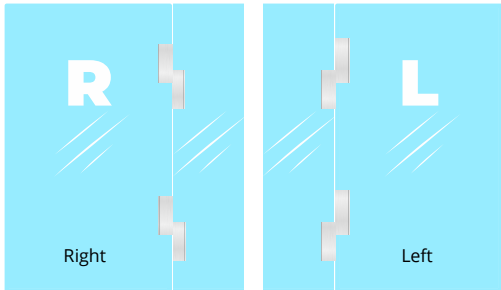
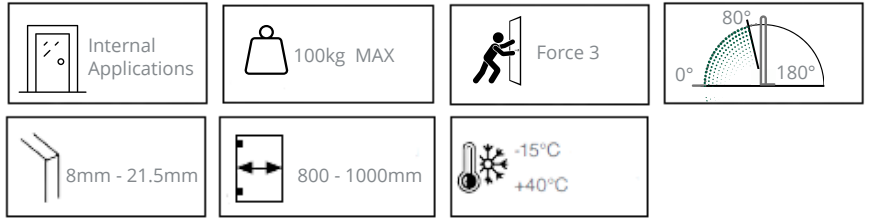
sales@nfk.com.au

42 Tacoma Circuit,
Canning Vale, WA 6155

08 9455 3866

wasales@nfk.com.au

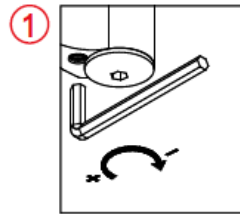
BILOBA EVO HINGES KIT#6



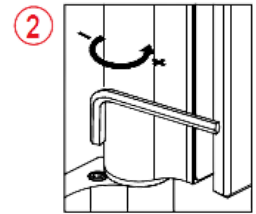
- The kit is suitable for internal right-hand or left-hand doors
- Manufactured in aluminium
- The kit contains 2 glass-to-glass hydraulic hinges
- Hold Open at 90° and 180°
- Automatic closing from 0° to 80°
- Adjustable closing speed and constant braking control
- Suitable for door width from 800mm to 1000mm, up to 100kg weight
- Glass thickness range from 8mm to 21.5mm
- Jamb depth should be from 30 to 50 mm with a stop
- Cut-out is required

Kit* code	Finish	Door type
19-SH/0835E50SLB	Brushed	Left
19-SH/0835E50SRB	Brushed	Right
19-SH/0835E50SLC	Chrome	Left
19-SH/0835E50SRC	Chrome	Right
19-SH/0835E50SLBK	Black	Left
19-SH/0835E50SRBK	Black	Right

*The kit contains 2 glass-to-glass hydraulic hinges for one door



Final latch adjustment



Closing speed adjustment

