



Glass Lifting & Handling Equipment | DSKE2 - 12V

KAPPEL VACUUM LIFTER DSKE2 - 12V

- Designed, engineered and manufactured in Germany
- Dual vacuum system: 2 vacuum circuits, independent of each other
- Ideally suited to lifting fins or long narrow glass
- Load-bearing extensions can be attached to the standard four-cup rig, increasing the glass length and carrying capacity
- Supplied on a lightweight trolley



Technical characteristics

Min Glass Size:

- 300kg - 1400mm x 380mm
- 450kg - 2350mm x 380mm

Min Glass Width: 380mm

Power supply: 12 V battery mains-independent with integrated charger

Lift Capacity: 300kg (4 cups) / 450kg (6 cups)

Features:

- Voltage indicator shows the battery charge level
- Vacuum display shows the current vacuum level
- Acoustic warning signal

Total Rig Weight: 55kg


Rig Size: 2310 mm (Length) x 330mm (Width) x 190mm (Depth)

Tilt: Manual - 90° with hydraulic tilt assist in holding load at any angle

Rotate: 360° unlimited, locks in every 45°

NFK Glazing
& Industrial Supplies


www.nfk.com.au

 28 Devlan Street,
Mansfield, QLD 4122

 07 3343 3377

 sales@nfk.com.au

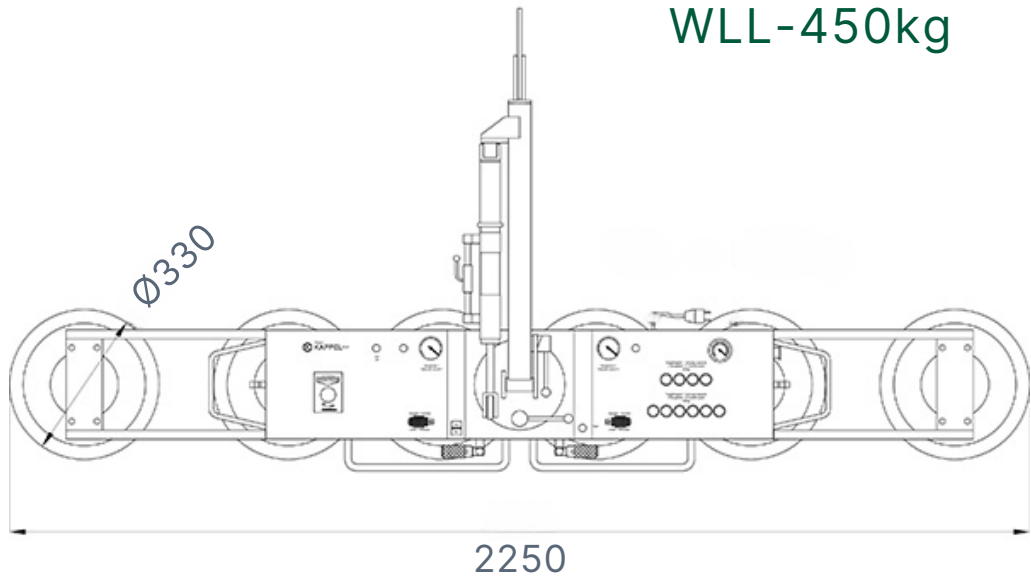
 42 Tacoma Circuit,
Canning Vale, WA 6155

 08 9455 3866

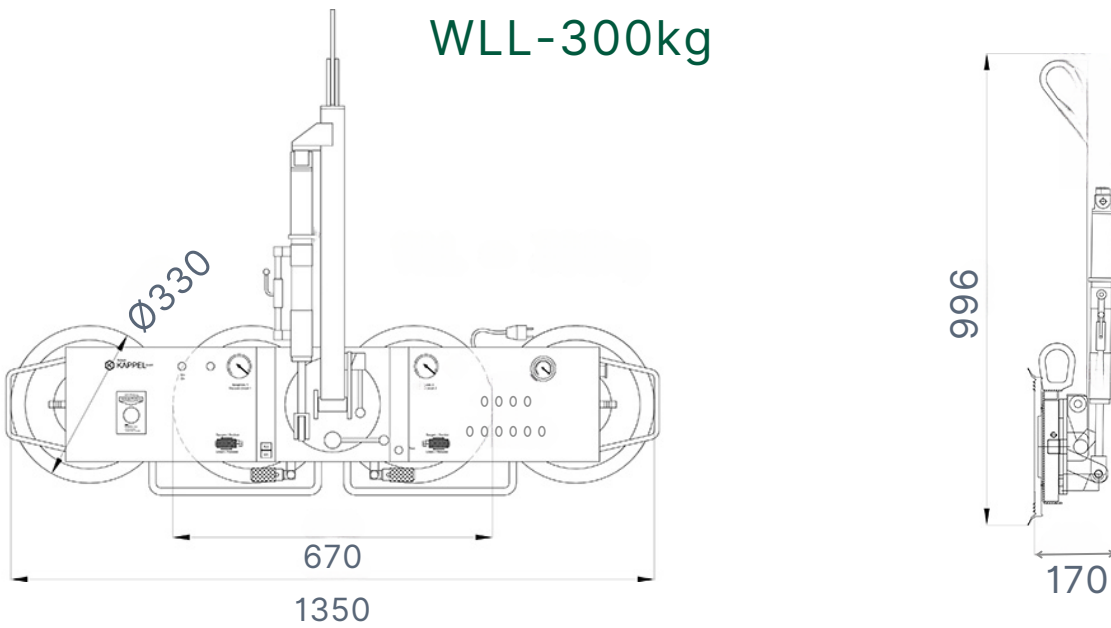
 wasales@nfk.com.au

DRAWINGS

WLL-450kg



WLL-300kg



NFK Glazing
& Industrial Supplies

www.nfk.com.au

28 Devlan Street,
Mansfield, QLD 4122

07 3343 3377

sales@nfk.com.au

42 Tacoma Circuit,
Canning Vale, WA 6155

08 9455 3866

wasales@nfk.com.au