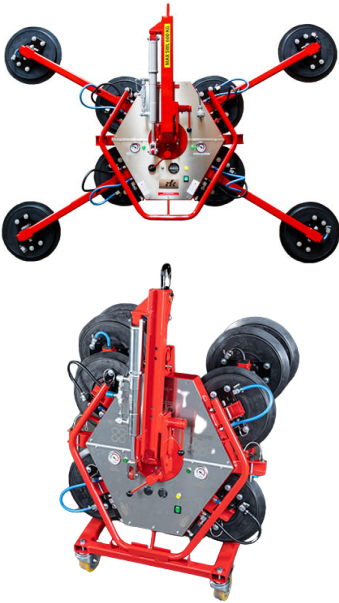




Kappel Vacuum Lifter DSKZ2-12V



- Designed, engineered and manufactured in Germany
- Hydraulic tilt assist
- Dual vacuum system
- Quick-release pads and vacuum lines allow for easy configuration of cups to suit any lifting requirements
- An adjustable lifting eye allows the glass to hang as vertical as possible
- The second lifting eye directly on the frame assists in lifting under overhangs
- The narrow 190mm deep frame is ideal for working between structure and scaffold
- A flexible design allows all pads to be removed and reconfigured as required for odd-shaped/narrow glass, attaching unique lifting frames etc.
- The dual vacuum gauges display the current vacuum pressure for both circuits
- Optical and audible warning signals are standard, as is a visible volt meter
- Supplied on a lightweight trolley

Technical characteristics

Suction pad/cups: 8 pieces, type 150K

Extensions: 4 pieces

Lift Capacity: 300 kg with 4 suction cups without extensions, 450 kg with 6 suction cups with two extensions, 600 kg with 8 suction cups with four extensions

Total Rig Weight including trolley: approx. 92 kg

Rig Size: 705mm (Height) x 808mm (Width) x 200mm (Depth)

Tilt: 90° manual, with lowering cylinder

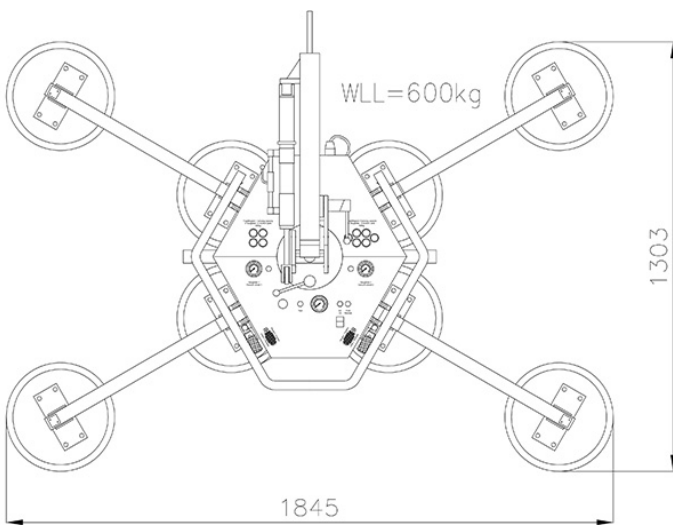
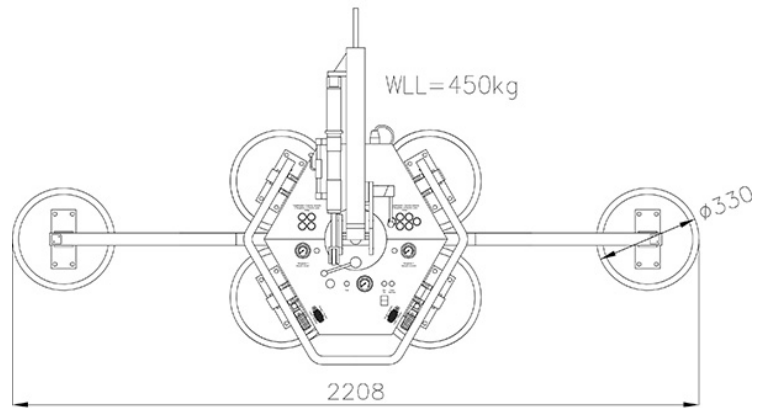
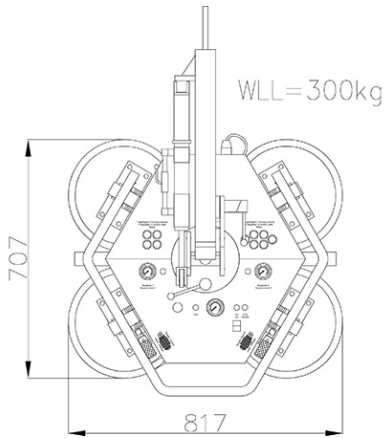
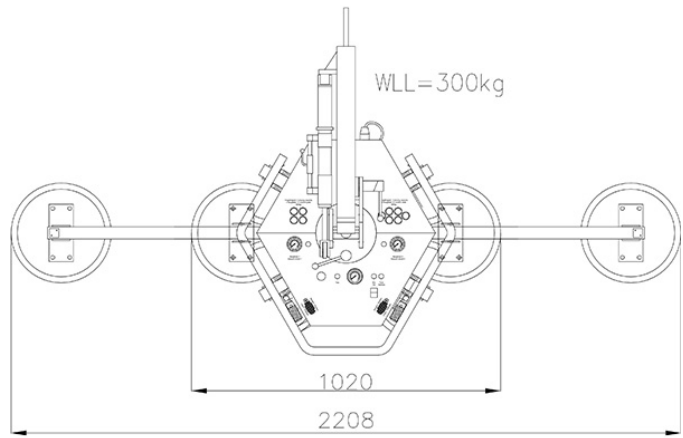
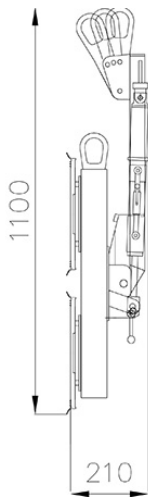
Rotate: 360° manual, lockable every 45°

Power supply: 12V battery mains-independent with integrated charger

- Features:**
- The voltage indicator shows the battery charge level
 - The vacuum display shows the current vacuum level
 - Acoustic warning signal

- Optionally**
- Cable or radio remote control for suction, release with quick release function

DRAWINGS



NFK Glazing
& Industrial Supplies

www.nfk.com.au

28 Devlan Street,
Mansfield, QLD 4122

07 3343 3377

sales@nfk.com.au

42 Tacoma Circuit,
Canning Vale, WA 6155

08 9455 3866

wasales@nfk.com.au