



NFK GLAZING & INDUSTRIAL SUPPLIES P/L
ARCHITECTURAL GLASS FITTINGS STANDOFF FIXINGS



NFK Standoff Fixings

This catalogue contains two easy to use sections.

The front portion (Express Ordering) offers fast specification / order of pre-assembled Standoff fixings. Simply find the page relevant to the diameter of fixing you require, select the code that represents the correct body length and finish, add a prefix if you wish to change the cap, and select any accessories you may need.

The back portion of the catalogue (Custom Ordering), contains loose components, which allows customised ordering of individual parts as required.

19mm Diameter Standoffs, pre-assembled



Standoff Body Length					
	10	20	30	40	50
Satin Finish	41-4106.110.77	41-4106.120.77	41-4106.130.77	41-4106.140.77	41-4106.150.77
Polished Finish	41-4106.110.99	41-4106.120.99	41-4106.130.99	41-4106.140.99	41-4106.150.99

Standard assembly includes: 1 x Flat Cap, 1 x Cap to body M6 thread, 2 x Thermal Break Washers, 1 x Thread Bush, 1 x Body

- Manufactured in Australia from 316 stainless steel
- All 19mm^Ø Standoffs are supplied to suit M6 metric thread.

Ordering Instructions:

1. Select appropriate code above for required body length and finish
2. Codes above include Flat Cap as part of a standard assembly.
To replace the Flat Cap with a Dome Cap, please add DC to the code.
3. Order separately any accessories required from the table below.

Threaded Rod	Toggle	Coach Screw	Cover Disc	Masonry Anchor	Nuts & Washers
M6 x 70mm 40-1401.070	M6 40-1403	M6 40-1404	32^º x 3mm 40-0901	M6 40-1406	M6 Hex Nut 40-1301
M6 x 100mm 40-1401.100			38^º x 3mm 40-0902		M6 Dome Nut 40-1303
M6 x 150mm 40-1401.150					M6 Flat Washer 40-1305
					M6 Spring Washer 40-1307

25mm Diameter Standoffs, pre-assembled



Standoff Body Length					
	10	20	30	40	50
Satin Finish	40-4106.210.77	40-4106.220.77	40-4106.230.77	40-4106.240.77	40-4106.250.77
Polished Finish	41-4106.210.99	40-4106.220.99	40-4106.230.99	40-4106.240.99	40-4106.250.99

Standard assembly includes: 1 x Flat Cap, 1 x Cap to body M6 thread, 2 x Thermal Break Washers, 1 x Thread Bush, 1 x Body

- Manufactured in Australia from 316 stainless steel
- All 25mm^Ø Standoffs are supplied to suit M6 metric thread.

Ordering Instructions:

1. Select appropriate code above for required body length and finish
2. Codes above include Flat Cap as part of a standard assembly.
To replace the Flat Cap with a Dome Cap, please add DC to the code.
To replace Flat Cap with a Flush fit cap, please add FFC to the code
3. Order separately any accessories required from the table below.

Threaded Rod	Toggle	Coach Screw	Cover Disc	Masonry Anchor	Nuts & Washers
					
M6 x 70mm 40-1401.070	M6 40-1403	M6 40-1404	32° 40-0901	M6 40-1406	M6 Hex Nut 40-1301
M6 x 100mm 40-1401.100			38° 40-0902		M6 Dome Nut 40-1303
M6 x 150mm 40-1401.150			50° 40-0904		M6 Flat Washer 40-1305
					M6 Spring Washer 40-1307

32mm Diameter Standoffs, pre-assembled



- Available in 30mm or 50mm lengths
- Manufactured from cast 316 s/s
- Include NFK's unique integral washer
- High quality machine threaded base allows for various fixing options
- Superior CNC machined finish
- Supplied with screw in adjustable base for easy installation

Ordering Codes		
	30mm Length	50 mm Length
Satin Finish	40-4106.77	40-4107.77
Polished Finish	40-4106.99	40-4107.99

Standard assembly includes: 1 x Flat Cap, 1 x Cap to body M10 thread, 2 x Thermal Break Washers, 1 x Thread Bush, 1 x Body

- All 32mm^Ø Standoffs are designed to use M10 metric thread.

Ordering Instructions:

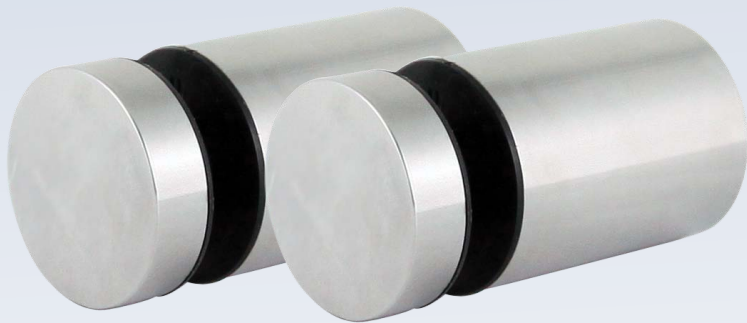
1. Select appropriate code above for required body length and finish
2. Codes above include Flat Cap as part of a standard assembly.
To replace the Flat Cap with a Dome Cap, please add DC to the code.
3. Order separately any accessories required from the table below.

Threaded Rod	Toggle	Coach Screw	Cover Disc	Masonry Anchor	Nuts & Washers
					
M10 x 70mm 40-1402.070	M10 40-1403.10	M10 40-1405	38° 40-0903	M10 40-1407	M10 Hex Nut 40-1302
M10 x 100mm 40-1402.100			50° 40-0904		M10 Dome Nut 40-13034
M10 x 115mm 40-14021					M10 Flat Washer 40-1306
M10 x 150mm 40-1402.150					M10 Spring Washer 40-1308



NFK's adjustable base plate can be fixed using a wide range of standard fasteners

38mm Diameter Standoffs, pre-assembled



- Available in 30mm or 50mm lengths
- Manufactured from cast 316 s/s
- Include NFK's unique integral washer
- High quality machine threaded base allows for various fixing options
- Superior CNC machined finish
- Supplied with screw in adjustable base for easy installation

Ordering Codes		
	30mm Length	50 mm Length
Satin Finish	40-4108.77	40-4109.77
Polished Finish	40-4108.99	40-4109.99

Standard assembly includes: 1 x Flat Cap, 1 x Cap to body M10 thread, 2 x Thermal Break Washers, 1 x Thread Bush, 1 x Body

- All 38mm^Ø Standoffs are designed to use M10 metric thread.

Ordering Instructions:

1. Select appropriate code above for required body length and finish
2. Codes above include Flat Cap as part of a standard assembly.
To replace the Flat Cap with a Dome Cap, please add DC to the code.
3. Order separately any accessories required from the table below.

Threaded Rod	Toggle	Coach Screw	Cover Disc	Masonry Anchor	Nuts & Washers
M10 x 70mm 40-1402.070	M10 40-1403.10	M10 40-1405	50° 40-0904	M10 40-1407	M10 Hex Nut 40-1302
M10 x 100mm 40-1402.100					M10 Dome Nut 40-13034
M10 x 115mm 40-14021					M10 Flat Washer 40-1306
M10 x 150mm 40-1402.150					M10 Spring Washer 40-1308



NFK's adjustable base plate can be fixed using a wide range of standard fasteners

50mm Diameter Standoffs, pre-assembled



- Available in 30mm or 50mm lengths
- Manufactured from cast 316 s/s
- Includes NFK's unique integral washer
- High quality machine threaded base allows for various fixing options
- Superior CNC machined finish
- Supplied with screw in adjustable base for easy installation

Ordering Codes		
	30mm Length	50 mm Length
Satin Finish	40-4110.101.77	40-4110.102.77
Polished Finish	40-4110.101.99	40-4110.102.99

Standard assembly includes: 1 x Flat Cap, 1 x Cap to body M12 thread, 2 x Thermal Break Washers, 1 x Thread Bush, 1 x Body

- All 50mm^Ø Standoffs are designed to use M12 metric thread.

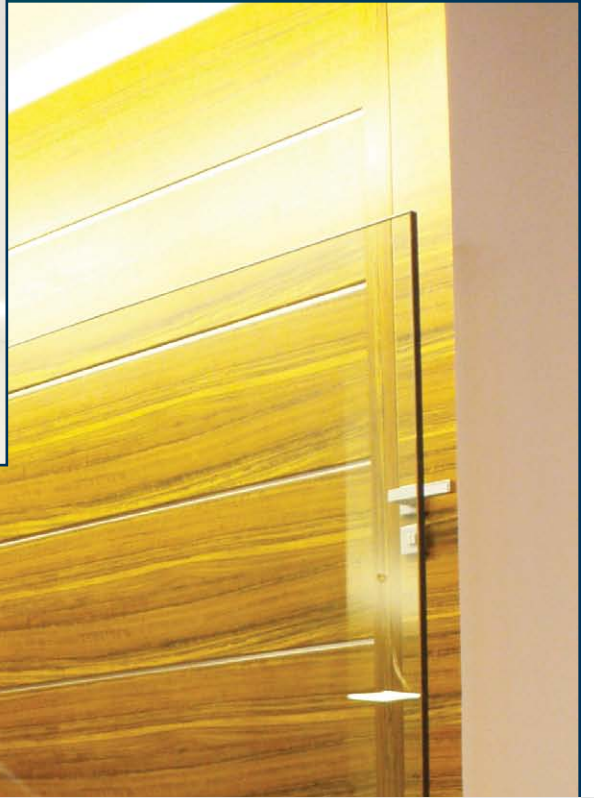
Ordering Instructions:

1. Select appropriate code above for required body length and finish
2. Codes above include Flat Cap as part of a standard assembly.
To replace the Flat Cap with a Dome Cap, please add DC to the code.
3. Order separately any accessories required from the table below.

Threaded Rod	Toggle	Coach Screw	Base Plate	Masonry Anchor	Nuts & Washers
M12 x 70mm 40-14025.070	M12 40-1403.12	M12 40-14056	50^Ø 40-0817	M12 40-1408	M12 Hex Nut 40-1310
M12 x 100mm 40-14025.100					M12 Dome Nut 40-1311
M12 x 115mm 40-14026					M12 Flat Washer 40-1309
M12 x 150mm 40-14025.150					M12 Spring Washer 40-1312



NFK's adjustable base plate can be fixed using a wide range of standard fasteners

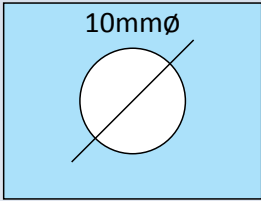


unique quality

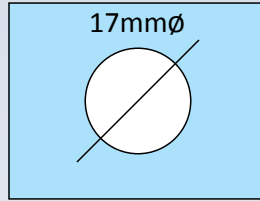


innovative design

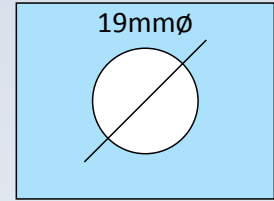
Glass Drilling for 19mm & 25mm



Glass Drilling for 32mm & 38mm

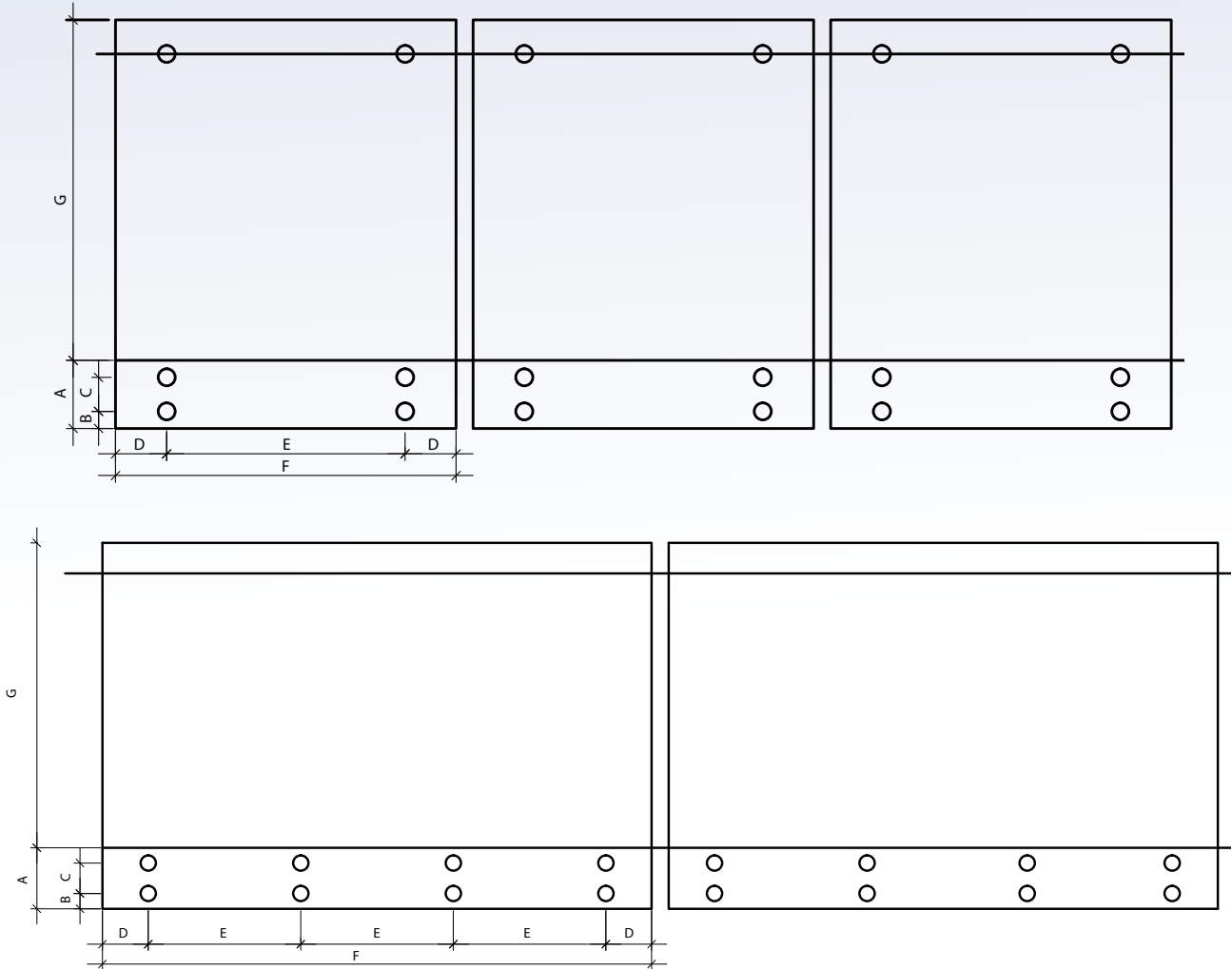


Glass Drilling for 50mm



N. B: Dimensions are minimum possible sizes. Please allow for desired tolerance by increasing hole diameter accordingly.

Technical considerations for cantilevered glass fixed with Standoffs



A number of factors come into play when correctly designing cantilevered balustrades. The two examples shown, cover the most common design criteria.

A, B and C are three dimensions that play an important part in any good design. Typically "A" (depth of fixing face) dictates "C" being the vertical centre to centre spacing of the standoffs. A distance of 100mm between vertical hole centres should be considered bare minimum, while 200 ~ 250mm will offer much greater rigidity and structural support. Dimension "B" should be calculated to maintain a distance between glass edge and edge of the hole that is no less than 2 times the glass thickness.

Dimension D should be greater than 100mm where possible and generally not more than 150mm.

When only four fixings are used to cantilever glass balustrades, a maximum width of 1000 ~ 1200mm would be suggested. In high load applications, this span may be broken with additional fixings as shown in the alternative detail.

All applications using monolithic toughened glass, protecting a fall greater than 1 meter require a load bearing and interlinking handrail. NFK stock a selection of railing systems, suitable for most applications.

The above information is conveyed as a simple guide only, we strongly recommend installers to seek formal engineering advice and confirmation of specific design criteria prior to commencing work. NFK are able to assist with all glass engineering, through third party certified engineers.

Flat Cap

The most commonly used cap on the market.

Precision machined to produce a very fine satin finish.

Manufactured from high quality 316 stainless steel.

All caps are 10mm thick.

NFK can custom machine caps in any quantity and to any design.



	19°	25°	32°	38°	50°
Thread Size	M6	M6	M10	M10	M12
Mirror Polished	40-0102.99	40-0103.99	40-0105.99	41-0107.99	40-0109.99
Satin Finished	40-0102	41-0103	41-0105	41-0107	40-0109

Dome Cap

All machined in Australia from 316 stainless steel.

Precision machined to produce a very fine satin finish.

NFK can custom machine caps in any quantity and to any design.



	19°	25°	32°	38°	50°
Thread Size	M6	M6	M10	M10	M12
Mirror Polished	40-0111.99	40-0112.99	40-0113.99	40-0114.99	40-0120.99
Satin Finished	40-0111	40-0112	40-0113	40-0114	40-0120

Flat Cap with Boss

This cap is the same style as our standard flat cap with the addition of a threaded boss which protrudes from the back, offering increased strength & adjustability.

Manufactured from high quality 316 stainless steel.



	19°	25°	32°	38°	50°
Thread Size	M6	M6	M10	M10	M12
Mirror Polished	*	*	*	*	40-0116P
Satin Finished	*	*	*	*	40-0116

* Locally manufactured on request

Cone Cap

Designed for applications where foot holds are of concern.

Being 20mm thick, the internal thread length is increased over standard caps.

Manufactured from high quality 316 stainless steel.



	19°	25°	32°	38°	50°
Thread Size	M6	M6	M10	M10	M12
Mirror Polished	*	*	*	*	40-0197P
Satin Finished	*	*	*	*	40-0197

* Locally manufactured on request



CSK Tapered Flat Cap

The taper on the face of this cap creates a low profile appearance, while retaining its strength. NFK supply all 316 stainless steel Countersink Bolts with the face machined to match the cap finish. Manufactured from high quality 316 stainless steel

	32°	38°	50°
Thread Size	M10	M10	M12
Mirror Polished	40-01983.99	40-01982.99	40-01981.99
Satin Finished	40-01983.77	40-01982.77	40-01981.77



CSK Flat Cap

Classic flat countersunk cap. Modified versions of this cap can be produced locally. Manufactured from high quality 316 stainless steel. NFK supply all 316 stainless steel Countersink Bolts with the face machined to match the cap finish.

	19°	25°	32°	38°	50°
Thread Size	M6	M6	M10	M10	M12
Mirror Polished	*	*	40-0201.99	40-0202.99	40-0200.99
Satin Finished	*	*	40-0201	40-0202	40-0200

* Locally manufactured on request



CSK Bush

Made in Australia

Suitable for M10 CSK Bolts	40-0204
Suitable for M12 CSK Bolts	40-0205

See page 14 for relevant CSK Bolts



Flush Fit Cap

Suitable for use with standard M6 Countersink bolt or fittings with similar head dimensions and profile.

25°	40-0203
------------	---------



Dome Cap with Concealed fixing

All machined in Australia from 316 stainless steel. A versatile cap that can be fixed with any countersink fastener.

	19°	25°	32°	38°	50°
Thread Size	M6	M6	M10	M10	M12
Mirror Polished	*	*	40-4103.99	40-4104.99	40-4101.99
Satin Finished	*	*	40-4103	40-4104	40-4101

* Locally manufactured on request

Standoff Bodies

- Australian manufactured
- Made from high quality 316 Stainless Steel



Body Length	19mm ^Ø		25mm ^Ø		32mm ^Ø		38mm ^Ø		50mm ^Ø	
	Satin	Polished	Satin	Polished	Satin	Polished	Satin	Polished	Satin	Polished
10	40-0401.77	40-0401.99	40-0501.77	40-0501.99	40-0601.77	40-0601.99	40-0701.77	40-0701.99	40-0801.77	40-0801.99
20	40-0402.77	40-0402.99	40-0502.77	40-0502.99	40-0602.77	40-0602.99	40-0702.77	40-0702.99	40-0802.77	40-0802.99
30	40-0403.77	40-0403.99	40-0503.77	40-0503.99	40-0603.77	40-0603.99	40-0703.77	40-0703.99	40-0803.77	40-0803.99
40	40-0404.77	40-0404.99	40-0504.77	40-0504.99	40-0604.77	40-0604.99	40-0704.77	40-0704.99	40-0804.77	40-0804.99
50	40-0405.77	40-0405.99	40-0506.77	40-0506.99	40-0607.77	40-0607.99	40-0705.77	40-0705.99	40-0805.77	40-0805.99

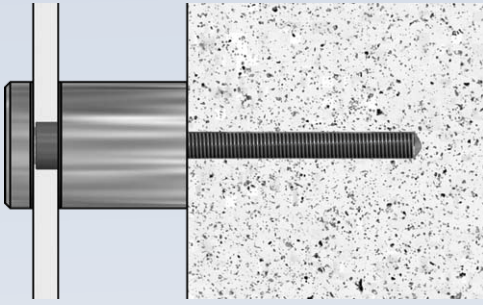
All 19mm & 25mm Bodies are machined with M6 threads
All 32mm & 38mm Bodies are machined with M10 threads
All 50mm Bodies are machined with M12 threads

Standoff Tightening Tool

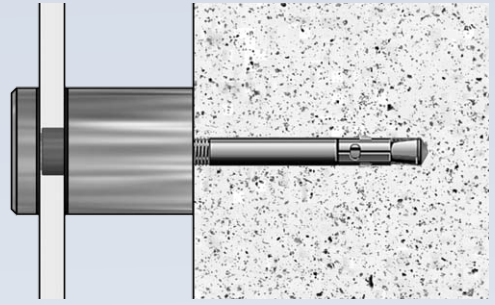
Manufactured in Australia by NFK, this simple little tool is a must for anyone using standoff fixings.

Quickly hooks into the side hole on our standoff caps to assist with tightening. Removable pins can be replaced with ease as required.

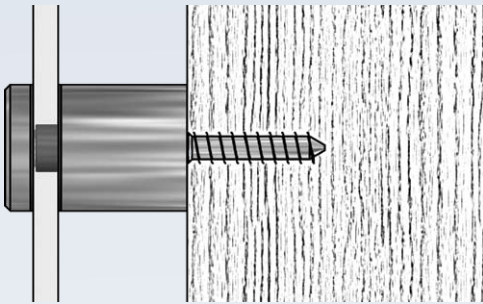




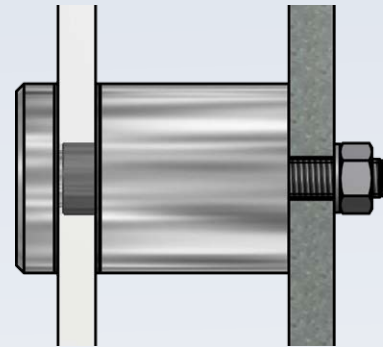
Chem-set threaded rod



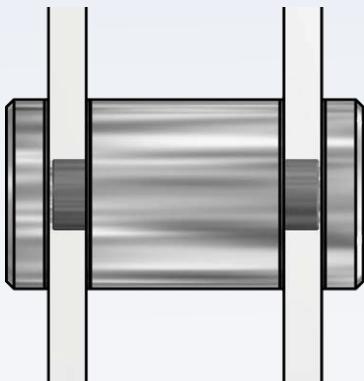
Mechanical Masonry Anchor



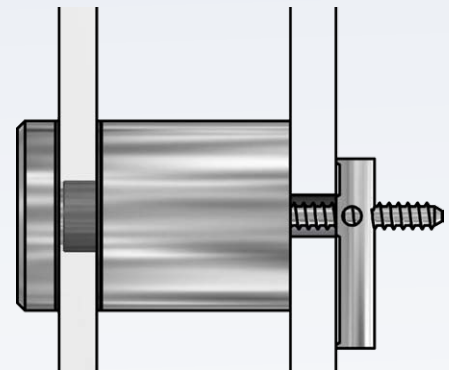
Coach Screw, fixed into timber



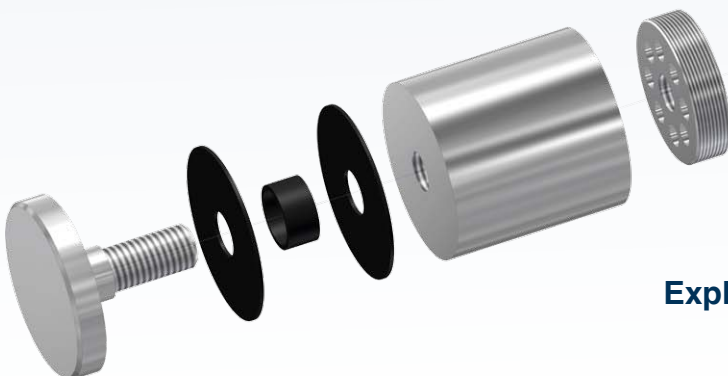
Threaded Rod with Nut and Washer



Threaded Rod with Flat Cap



Gravity Toggle



Exploded View of an Adjustable Standoff

Fixings

Threaded Stud (Short)

Typically used for connecting caps to body when assembling standoffs from loose components.



	20mm	25mm	30mm	35mm	40mm
M6	40-1101	40-1102	40-1103		
M10	40-1107	40-1104	40-1105	40-1106	40-1108
M12			40-1110	40-1111	40-1112

Threaded Rod (Long)

Manufactured from 316 stainless steel.

Used to fix standoffs to the supporting structure.

* Cut to order, on request.



	70mm	100mm	115mm	150mm
M6	40-1401.070	40-1401.100		40-1401.150
M10	40-1402.070	40-1402.100	40-14021	40-1402.150
M12	40-14025.070	40-14025.100	40-14026	40-14025.150

CSK Bolts

Suitable for use with our CSK caps or CSK plastic bushes.

All machined in Australia from 316 stainless steel.

Bolts are supplied standard with the face CNC machined to match the finish on our caps.



	20mm	25mm	30mm	35mm	40mm	50mm
M6	40-1201		40-1201.30	40-1202		
M10		40-1203.25	40-1203	40-1204	40-1205	40-1205.40
M12			40-1208	40-1207	40-1205.40	40-1205.50

Coach Bolts

Available in zinc plated or stainless steel.

Conventional hex head coach bolts are also available for NFK's 32mm^Ø, 38mm^Ø & 50mm^Ø Standoffs.



M6	15mm metal thread + 35mm Timber thread	40-1404
M10	15mm metal thread + 45mm Timber thread	40-1405
M12	15mm metal thread + 40mm Timber thread	40-14055

Gravity Toggles

Suitable for 19mm^Ø & 25mm^Ø Standoffs.

Can be supplied to suit 32mm^Ø, 38mm^Ø & 50mm^Ø Standoffs for light weight applications.



Supplied complete with M6 thread for cavity walls	40-1403
---	---------

Fixings



Mechanical Masonry Anchor

Supplied in zinc plated stainless steel & other varieties available on request.

M6 X 35mm	40-1406
M10 X 50mm	40-1407



Thread Bushes

A critical component required to protect glass from contacting the connecting thread.

NFK can supply custom sizes & design on request.

M6	6mmID x 9mm ^o x 6mm wide	40-1003
M10	11mmID x 16mm ^o x 9mm wide	40-1001
M12	13mmID x 18mm ^o x 10mm wide	40-1002

Thermal Break Washers

Made from clear, UV stable PVC.

Required to separate glass from metal components.

Various other thicknesses available on request.



19° Standoff	18mm ^o x 6mmID x 1mm	40-1501
Flush Fit Cap	24mm ^o x 16mmID x 1mm	40-1503
25° Standoff	24mm ^o x 6mmID x 1mm	40-1502
32° Standoff	30mm ^o x 10mmID x 1mm	40-1504
38° Standoff	36mm ^o x 10mmID x 1mm	40-1505
50° Standoff	49mm ^o x 12mmID x 1mm	40-1508



Stainless Steel Nuts Hex and Dome

316 Stainless Steel	Hex Nut	Dome Nut
M6	40-1301	40-1303
M10	40-1302	40-1304
M12	40-1310	40-1311



Stainless Steel Washers Flat and Spring

316 Stainless Steel	Flat Washer	Spring Washer
M6	40-1305	40-1307
M10	40-1306	40-1308
M12	40-1309	40-1312



NFK GLAZING & INDUSTRIAL SUPPLIES P/L

28 Devlan Street, Mansfield Qld 4122 Australia
PO Box 2091, Mansfield BC Qld 4122 Australia

Phone: (07) 3343 3377

Fax: (07) 3343 6877

Toll Free: 1800 064 596

Email: sales@nfk.com.au

www.nfk.com.au

