



NFK GLAZING & INDUSTRIAL SUPPLIES

Professional Products for the Glass & Glazing industry



We Build the Invisible


SPIDER FITTINGS

MONTI S3100

Appropriate solution for glass bracing

NFK Glazing
& Industrial Supplies


www.nfk.com.au

 28 Devlan Street,
Mansfield, QLD 4122

 07 3343 3377

 sales@nfk.com.au

 42 Tacoma Circuit,
Canning Vale, WA 6155

 08 9455 3866

 wasales@nfk.com.au



Architectural Hardware | Spider Fittings | Sadev Fin Spiders

2 WAY FIN SPIDER

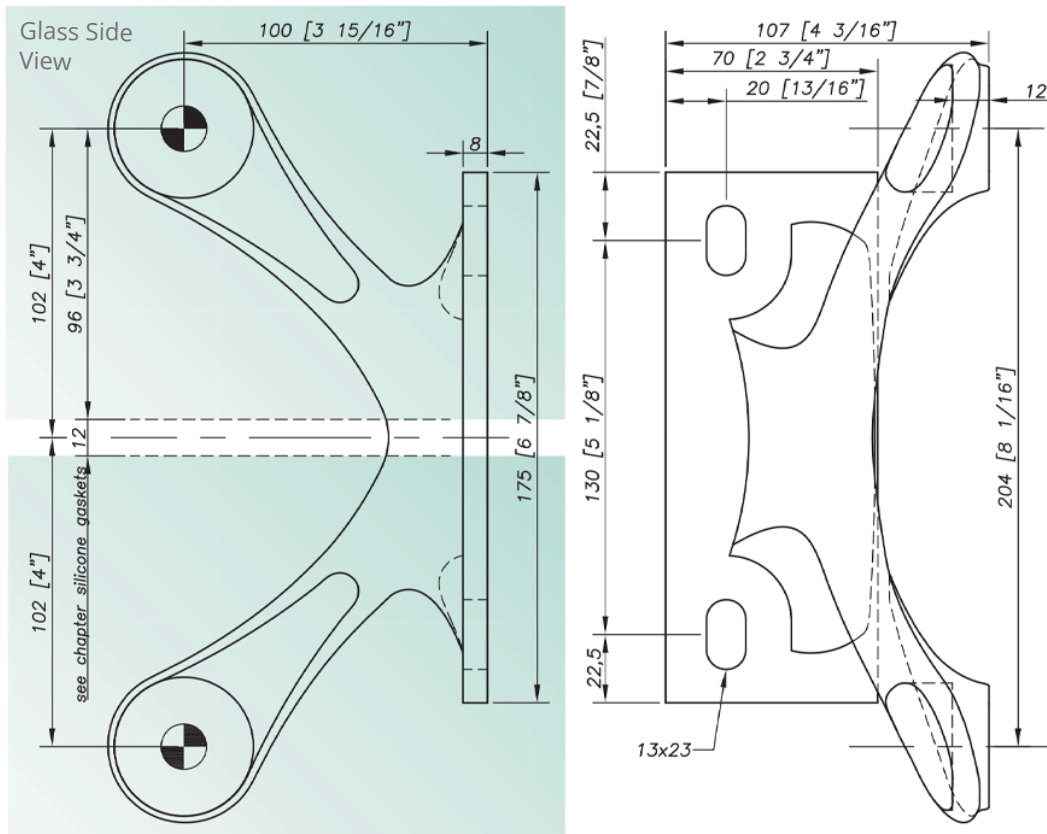


2 Way Fin Spider supplied as single or back-to-back pairs.

- Lost wax casting spider
- Material: stainless steel AISI 316
- Finish: satin
- Weight: 2.18 kg

Part Name	Part Code
Sadev S3100 2 Way Fin Spider	41-1004.04.77

DIMENSIONS





1 ARM 45°

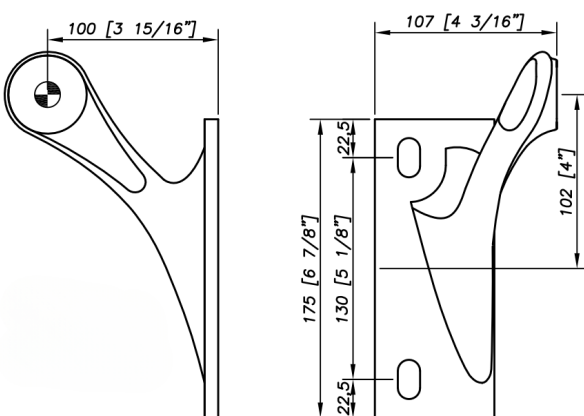


- One Way 45° Left/Right Fin Spider
- Lost wax casting spider
- Material: stainless steel AISI 316
- Finish: satin. Supplied as single or back-to-back pairs
- Weight: 1.59 kg

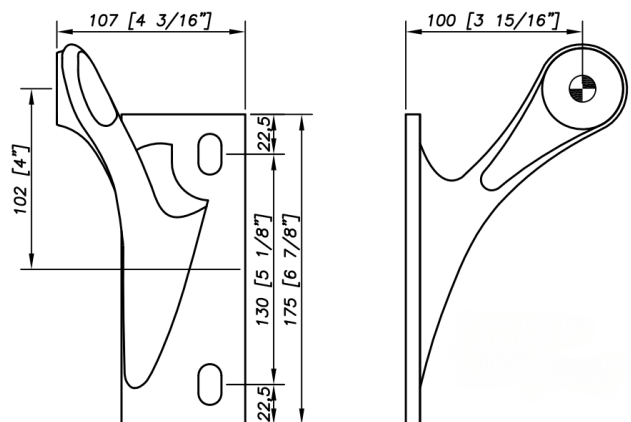
Part Name	Part Code
One Way 45° Left Fin Spider	41-1004.02.77
One Way 45° Right Fin Spider	41-1004.03.77

DIMENSIONS

Left Arm 45°



Right Arm 45°





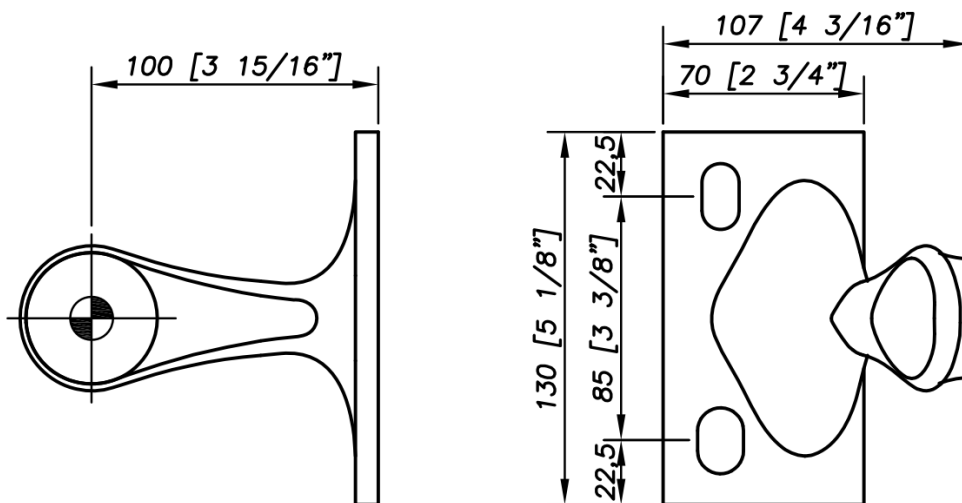
1 ARM 90°



- One Way 90° Fin Spider
- Lost wax casting spider
- Material: stainless steel AISI 316
- Finish: satin. Supplied as single or back-to-back pairs
- Weight: 1.06 kg

Part Name	Part Code
One Way 90° Fin Spider	41-1004.01.77

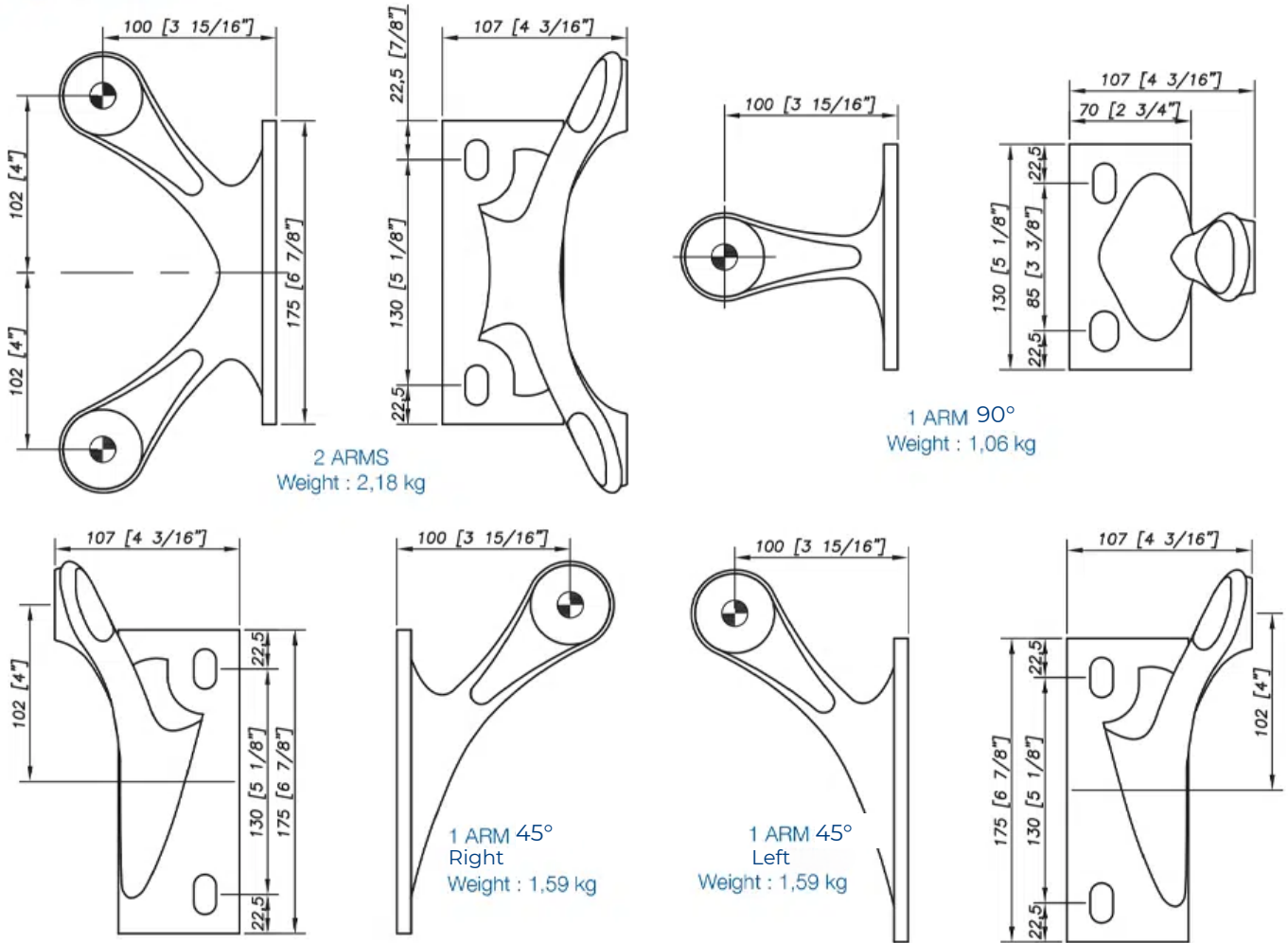
DIMENSIONS





MONTI S3100 CONFIGURATIONS

GLASS SIDE VIEW

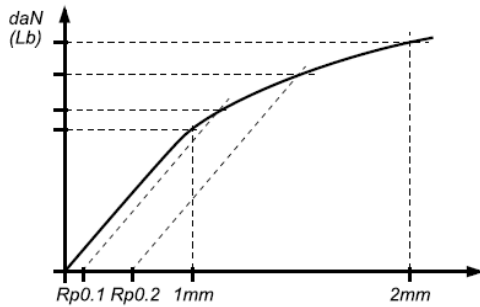


Represents a fixed point $\varnothing 17$ mm, a slotted point $\varnothing 17 \times 24$ mm, or a free point $\varnothing 24$ mm depending on the position of the spider on the façade (see suggested mounting instructions at the end of the chapter).

Applications: Double-skin facade, point fixed facade, curtain wall, solar shading, glass elevator, awnings, canopies, etc.



MECHANICAL PERFORMANCES



*SLS : Serviceability Limit State - load at 1 mm deformation **ULS – Ultimate Limit State : load at the elastic limit (Rp0.1).
Values are given without factor of safety - Tests available online: www.sadev.com

S 3100	LOAD PARALLEL TO GLASS PER ARM	
	1 mm (SLS*)	542 daN (1218 lb)
	2 mm	-
	Rp0,1 (ULS**)	410 daN (921 lb)
	Rp0,2	-

S 3100	LOAD PERPENDICULAR TO GLASS PER ARM	
	1 mm (SLS*)	195 daN (438 lb)
	2 mm	-
	Rp0,1 (ULS**)	184 daN (413 lb)
	Rp0,2	-

SUGGESTED MOUNTING INSTRUCTION

The fixing of the spider is done with M16 or M12 bolts. The slotted holes OD17x24mm and free holes OD24mm in the spider are not to be used to adjust the spider! They are needed to absorb the manufacturing tolerances and the thermal deformation of the glass and of the structure. The spiders are standardised for M14 fittings (FXR, FXV).

SADEV recommends using thread locking compound, except in case of specific mounting constrains.