



NFK GLAZING & INDUSTRIAL SUPPLIES

Professional Products for the Glass & Glazing industry



We Build the Invisible


SPIDER FITTINGS

MONTI S3000

Appropriate solution for point fixed architectural glass

NFK Glazing
& Industrial Supplies


www.nfk.com.au

 28 Devlan Street,
Mansfield, QLD 4122

 07 3343 3377

 sales@nfk.com.au

 42 Tacoma Circuit,
Canning Vale, WA 6155

 08 9455 3866

 wasales@nfk.com.au



Architectural Hardware | Spider Fittings | Sadev Fin Spiders S3000



The casted stainless steel spider S3000 Monti range offers a unique option for point-fixing glass. Heavy commercial designs of sharp lines are replaced with flowing shapes and blended corners. A visionary approach to design without compromising structural ability.

- Material: stainless steel AISI 316
- Finish: satin (dull polished GR400)

EXCELLENT MECHANICAL PERFORMANCE, SUITABLE FOR VERY LARGE GLAZINGS

Applications: Double-skin facade, glass curved facade, point fixed facade, curtain wall, solar shading, glass elevator, awnings, canopies, etc.

- Fixing on all types of structures (metal, wood, glass...)
- Excellent mechanical performance
- Suitable for very large glass panes
- Validated any seismic zone
- Tested and certified by technical evaluation
- Compatible with Sadev Omega range (easy adjustment on the structure)





Architectural Hardware | Spider Fittings | Sadev Fin Spiders S3000

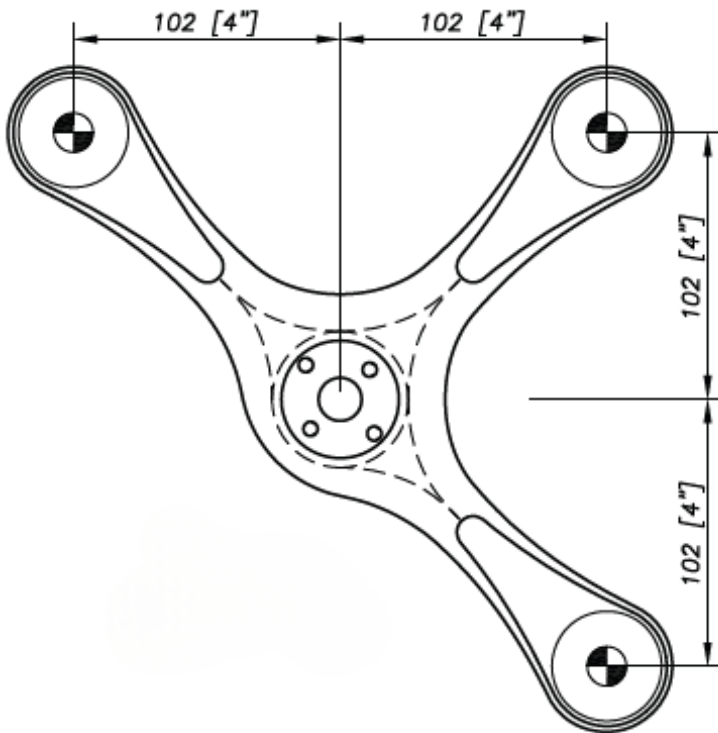
3 WAY 90° SPIDER



- Material: stainless steel AISI 316
- Finish: satin (dull polished GR400)
- Weight: 2 kg

Part Name	Part Code
3 Arm 90°, Satin	41-2001.05.77

DIMENSIONS





Architectural Hardware | Spider Fittings | Sadev Fin Spiders S3000

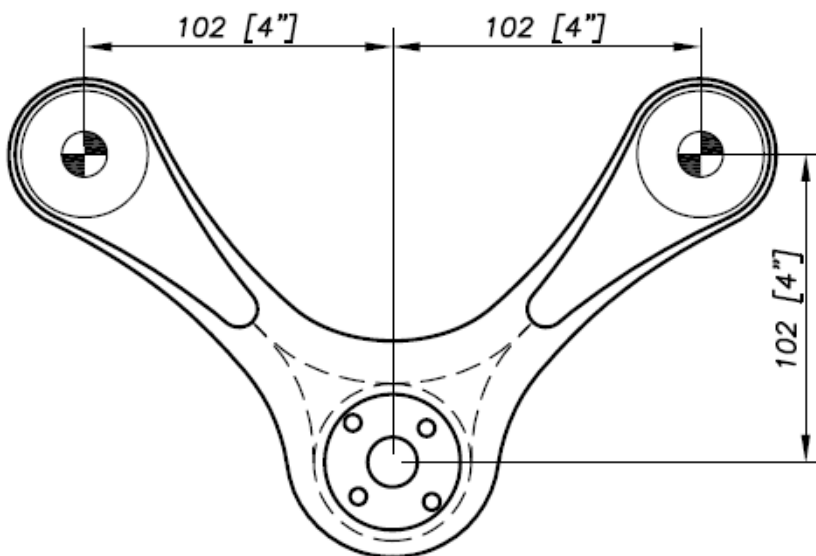
2 WAY 90° SPIDER



- Material: stainless steel AISI 316
- Finish: satin (dull polished GR400)
- Weight: 1.41 kg

Part Name	Part Code
Spider Monti 2 Arm 90°, Satin	41-2001.04.77

DIMENSIONS





Architectural Hardware | Spider Fittings | Sadev Fin Spiders S3000

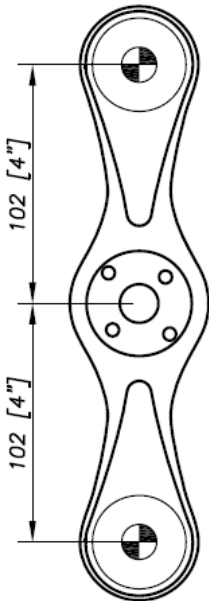
2 WAY 180° SPIDER



- Material: stainless steel AISI 316
- Finish: satin (dull polished GR400)
- Weight: 1.1 kg

Part Name	Part Code
Spider Monti 2 Arm 180°, Satin	41-2001.03.77

DIMENSIONS





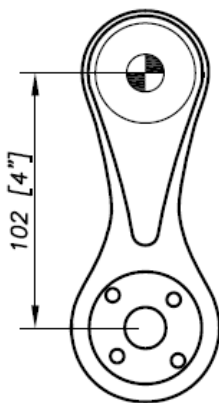
1 SHORT ARM SPIDER



- Material: stainless steel AISI 316
- Finish: satin (dull polished GR400)
- Weight: 0.71 kg

Part Name	Part Code
Spider Monti Short Arm, Satin	41-2001.02.77

DIMENSIONS





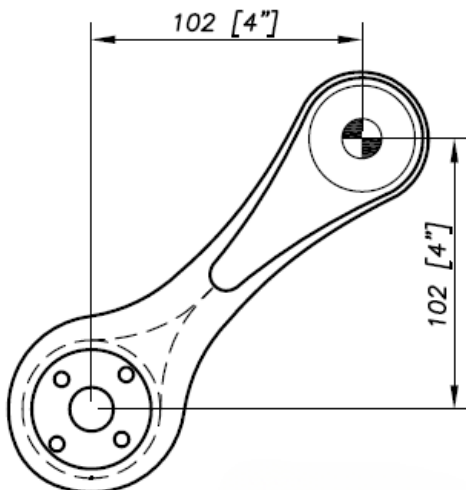
1 LONG ARM SPIDER



- Material: stainless steel AISI 316
- Finish: satin (dull polished GR400)
- Weight: 0.89 kg

Part Name	Part Code
Spider Monti Long Arm, Satin	41-2001.01.77

DIMENSIONS

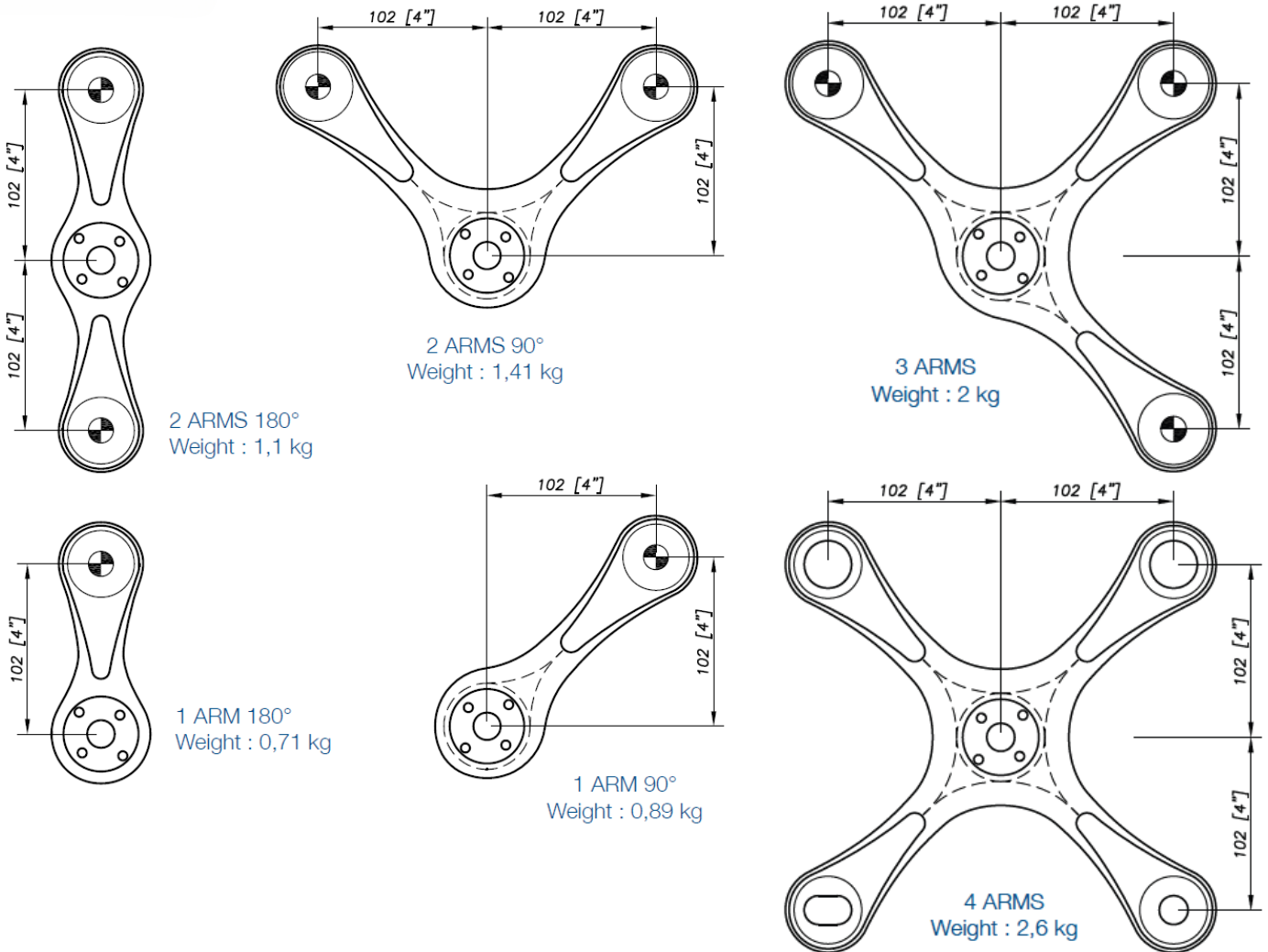




Architectural Hardware | Spider Fittings | Sadev Fin Spiders S3000

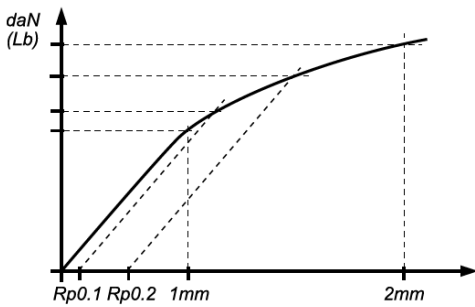
MONTI S3000 CONFIGURATIONS

Glass side view





MECHANICAL PERFORMANCES



Spider Model	LOAD PARALLEL TO GLASS PER ARM		Spider Model	LOAD PERPENDICULAR TO GLASS PER ARM	
	Deformation (mm)	Load (daN / Lb)		Deformation (mm)	Load (daN / Lb)
S3000	1 mm (SLS*)	434 daN (975 lb)	S3000	1 mm (SLS*)	238 daN (535 lb)
	2 mm	574 daN (1290 lb)		2 mm	406 daN (912 lb)
	Rp 0,1 (ULS**)	398 daN (894 lb)		Rp 0,1 (ULS**)	300 daN (674 lb)
	Rp 0,2	-		Rp 0,2	367 daN (825 lb)
S3000 DU	1 mm (SLS*)	402 daN (903 lb)	S3000 DU	1 mm (SLS*)	296 daN (665 lb)
	2 mm	773 daN (1737 lb)		2 mm	565 daN (1270 lb)
	Rp 0,1 (ULS**)	693 daN (1557 lb)		Rp 0,1 (ULS**)	547 daN (1229 lb)
	Rp 0,2	847 daN (1904 lb)		Rp 0,2	647 daN (1454 lb)

*SLS : Serviceability Limit State - load at 1 mm deformation **ULS – Ultimate Limit State : load at the elastic limit (Rp0.1)
Values are given without factor of safety - Tests available online: www.sadev.com

SUGGESTED MOUNTING INSTRUCTION

The drilling diameter for the pins is 6 mm. Do not drill the holes for the pins in your structure before mounting the spiders. To fix the spider on your structure the "Omega" (see accessories) is highly recommended to adjust the spider's position. The fixing of the spider is done with a M16 or a M12 bolt.

This bolt shall not be fitted into a vertical slotted hole due to the risk of slipping (under the weight), the pins are not designed to hold any permanent loads (cf. specification sheet). The spider has to be positioned on a flat support. The slotted holes Ø 17×24 mm and free holes Ø 24 mm in the spider are not to be used to adjust the spider! They are needed to absorb the manufacturing tolerances and the thermal deformation of the glass and of the structure. The spiders are standardized for M14 fittings (FXR, FXV); other diameters are available on request.

SADEV recommends using thread locking compound, except in case of specific mounting constrains.