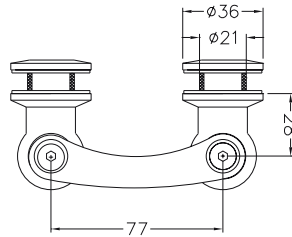


Flex Connect Range

Flex connect are a versatile range of glass connectors. Adjustable to any angle, they are the solution to fixing odd angles and supporting corner or straight butt joints.

2 Way Flex Glass Connector

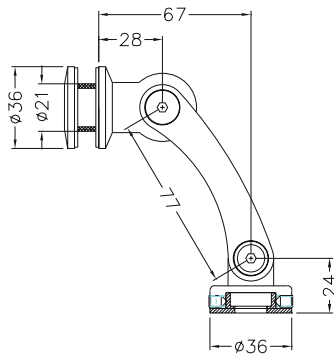


- Perfect for bracing butt-joints and increasing rigidity in cantilevered glass applications.
- Produced from 316 s/s to a high quality finish.
- All fittings have 36mmOD Cap assembly suitable for glass 6mm to 12mm.
- Requires min. 22mm hole in glass.

Description	Part Number
Flex Connector 2 Way	44-2003

Wall to Glass Flex Glass Connector

For fixing to walls or posts. Arms can be used to vary the forward projection of glass from walls/ posts etc. Suitable for supporting feature panels of glass.

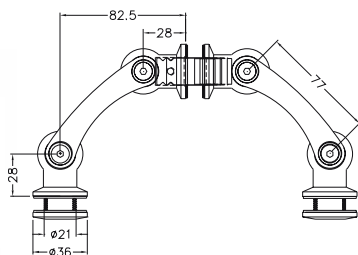


- Produced from 316 s/s to a high quality finish.
- All fittings have 36mmOD Cap assembly suitable for glass 6mm to 12mm.
- Requires min. 22mm hole in glass.

Description	Part Number
W/G Flex Connector	44-2002

3 Way Flex Glass Connector

Typically for fin supported internal glazed walls, this connector is also used in conjunction with s/s flat bar posts to support balustrade glass/ pool fences etc. Whether the glass meets the sides of the post or passes in front of it, the adjustable arms allow the distance between the glass and the post to be varied.



- Perfect for fixing glass at odd angles.
- Produced from 316 s/s to a high quality finish.
- All fittings have 36mmOD Cap assembly suitable for glass 6mm to 12mm.
- Requires min. 22mm hole in glass.

Description	Part Number
3 Way Flex Connector	44-2001