



NFK GLAZING & INDUSTRIAL SUPPLIES

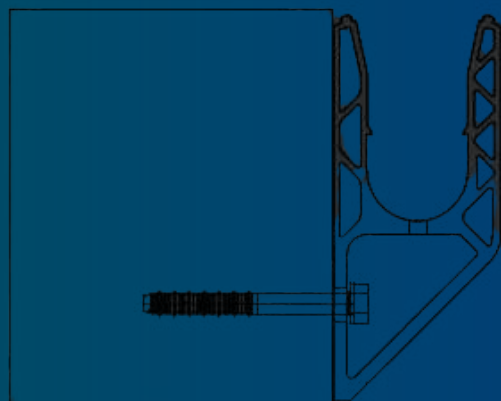
Professional Products for the Glass & Glazing industry

THE INVISIBLE PROTECTION

SABCO ORIGINAL

FRAMELESS BALUSTRADE SYSTEM

PERFORMANCE FROM 3 TO 5 KN
LATERAL MOUNTING, OFFSET FIXING



NFK Glazing
& Industrial Supplies

www.nfk.com.au

📍 28 Devlan Street,
Mansfield, QLD 4122

☎ 07 3343 3377

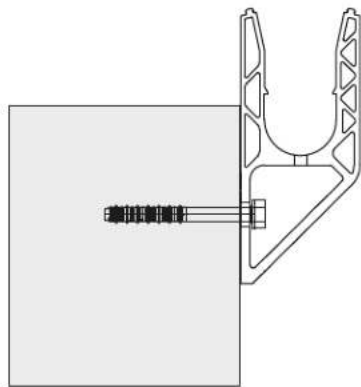
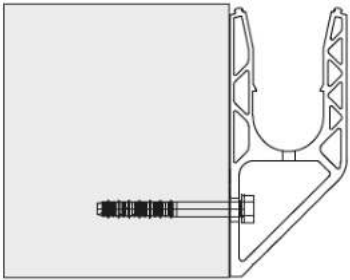
✉ sales@nfk.com.au

📍 42 Tacoma Circuit,
Canning Vale, WA 6155

☎ 08 9455 3866

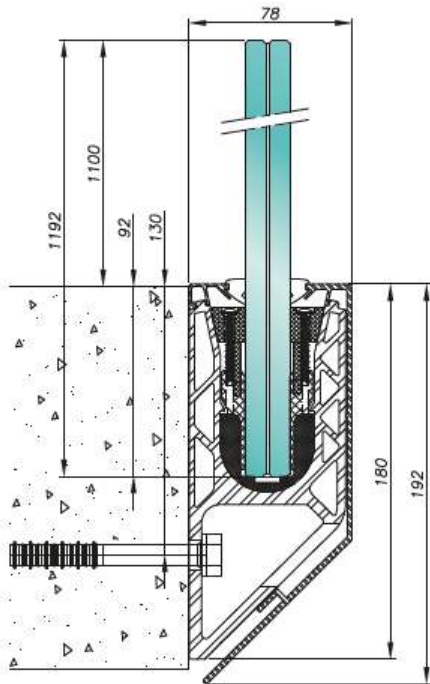
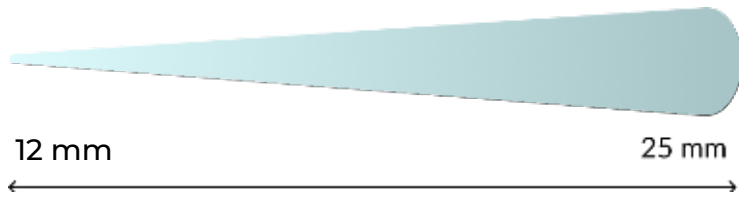
✉ wasales@nfk.com.au

SABCO ORIGINAL CHANNEL BALUSTRADE SYSTEM

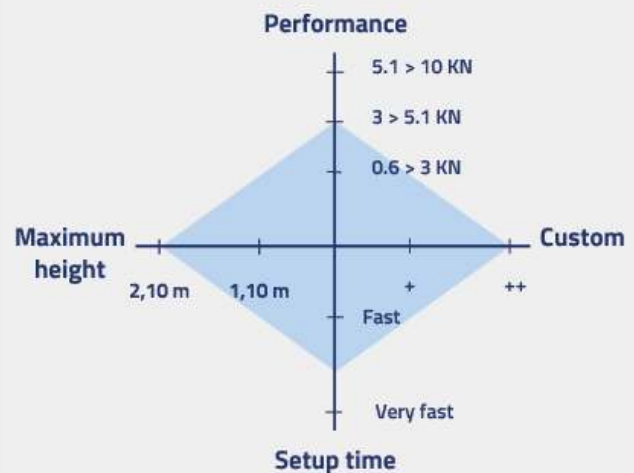


- Performance from 3 to 5 KN
- Designed and engineered in France
- Lateral mounted, offset fixing: tailor-made/inclined/high level
- The system is very flexible and can be adapted to various installation conditions using different components
- Minimum installation time and effort
- One-side wedges offer the option to install glass and tighten the clamp from one side only
- Numerous glass types tested in AU
- Adjustment of the glass alignment: + or - 15mm at 1m
- Mounting with cladding is highly recommended

Suitable for glass thickness



FROM 3 TO 5.1 KN



NFK Glazing
& Industrial Supplies

www.nfk.com.au

28 Devlan Street,
Mansfield, QLD 4122

07 3343 3377

sales@nfk.com.au

42 Tacoma Circuit,
Canning Vale, WA 6155

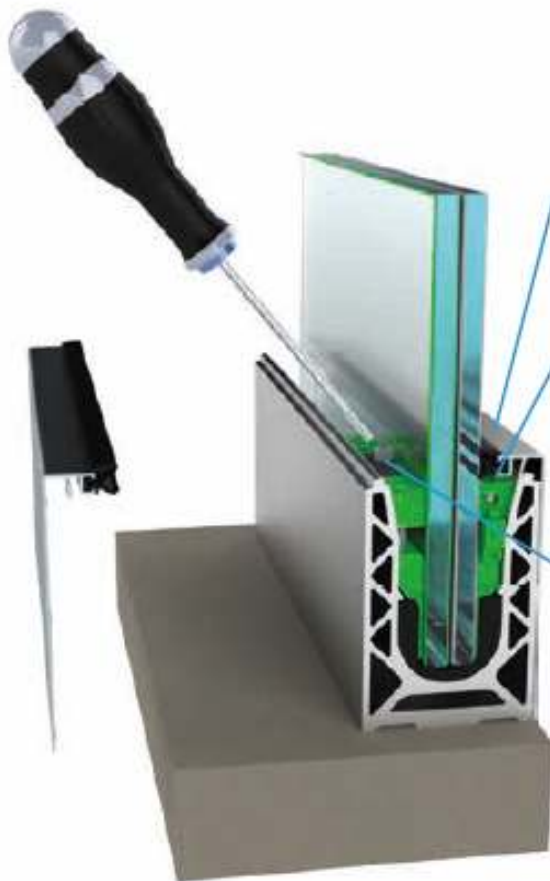
08 9455 3866

wasales@nfk.com.au

EASY INSTALLATION TO FIT

Sabco channel system differs from other products on the market by being easy and fast to assemble!

The simple installation makes it ideal for installing on stairs and ramps without special tools or messy cement grouts.



1

CLADDING WITH SEAL

2



GLASS ADJUSTMENT

SABCO's wedge system aligns the glass for a quicker and easier installation.

*Profile fixing suitable every 400 mm**

3

「SIDE」

ONE SIDE ONE STEP !

Easy adjustment thanks to the clamps, no other installation requirements except tightening!

NFK Glazing
& Industrial Supplies

www.nfk.com.au

📍 28 Devlan Street,
Mansfield, QLD 4122

☎ 07 3343 3377

✉ sales@nfk.com.au

📍 42 Tacoma Circuit,
Canning Vale, WA 6155

☎ 08 9455 3866

✉ wasales@nfk.com.au

SABCO ORIGINAL CHANNEL BALUSTRADE SYSTEM KIT

The Kit is formed individually depending on the glass thickness and length, and installation conditions.

① RAIL

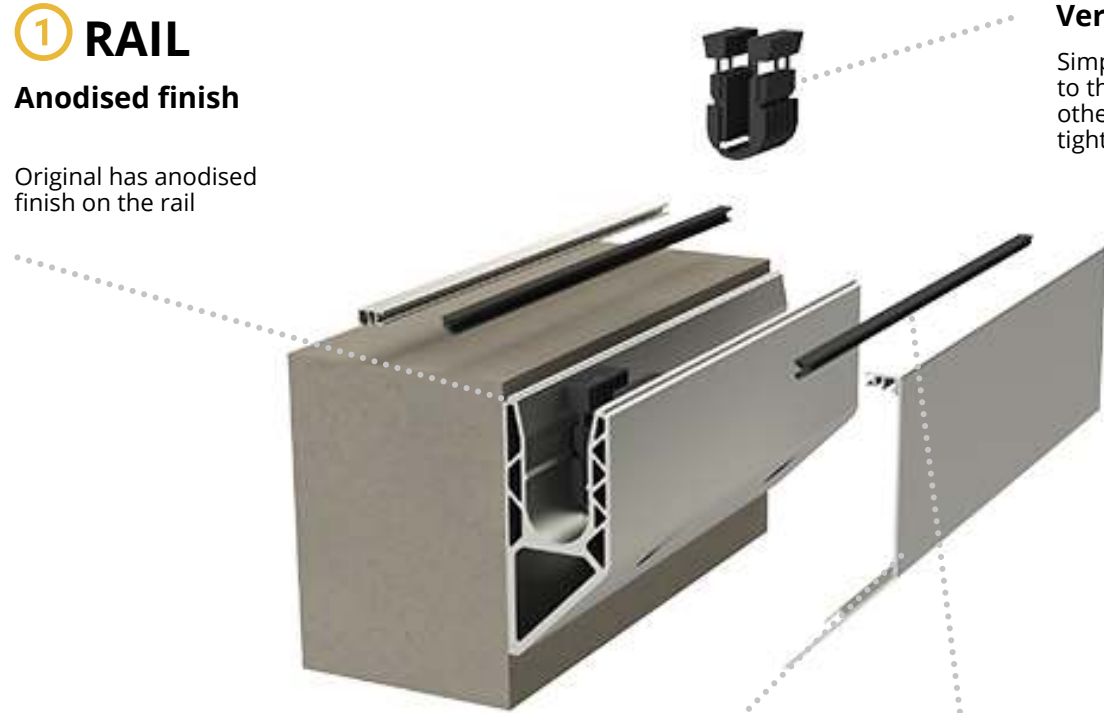
Anodised finish

Original has anodised finish on the rail

③ WEDGE

Very fast installation

Simple adjustment thanks to the patented clamps, no other actions except tightening.



② CLADDING

Choose your cladding!

There is a wide range of cladding options for different project specifications

④ SEALS

Protection

For a better protection against dust and water.

NFK Glazing
& Industrial Supplies

www.nfk.com.au

📍 28 Devlan Street,
Mansfield, QLD 4122

📞 07 3343 3377

✉️ sales@nfk.com.au

📍 42 Tacoma Circuit,
Canning Vale, WA 6155

📞 08 9455 3866

✉️ wasales@nfk.com.au

1 RAIL (PROFILE)



**GREATER
DISTANCE**
in relation to
the slab edge



- | | | |
|---|--|---------------|
| 1 | Sabco Original Rail, Lateral Mounting, 5000 mm | 87-0070R23.11 |
| 2 | Sabco Original Rail, Lateral Mounting, 2500 mm | 87-0070R13.11 |

Technical characteristics

Length: 2 500 mm / 5 000 mm

Type: Drilled every 200mm

Width: 78 mm

Height of profile: 172 mm

Material: Aluminum

Height of guardrail: Standard: 1 500 mm

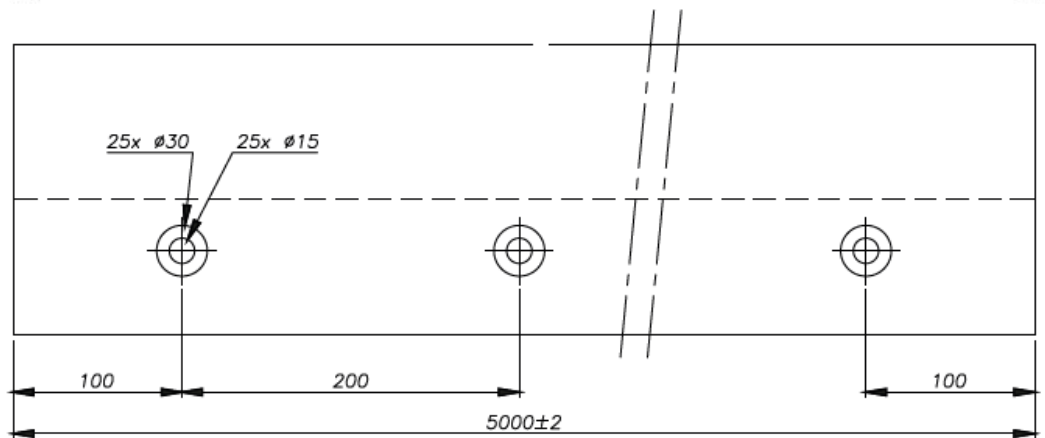
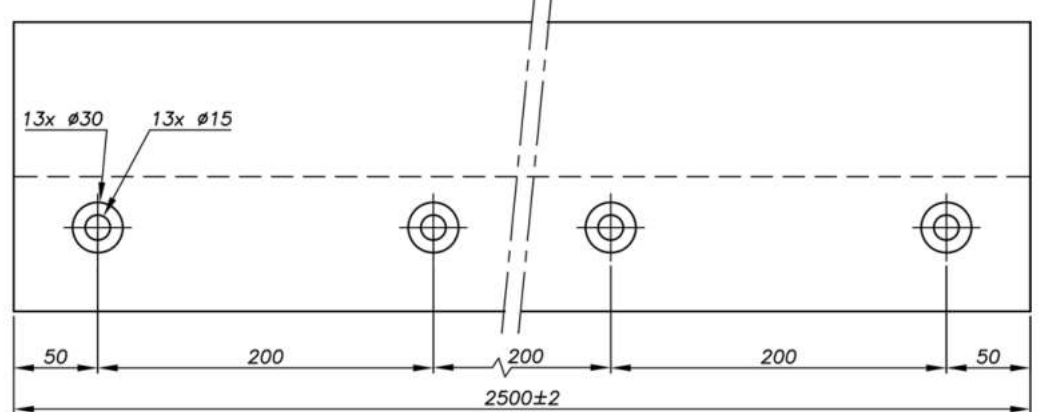
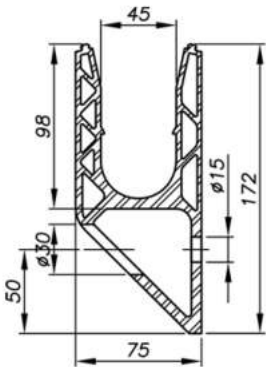
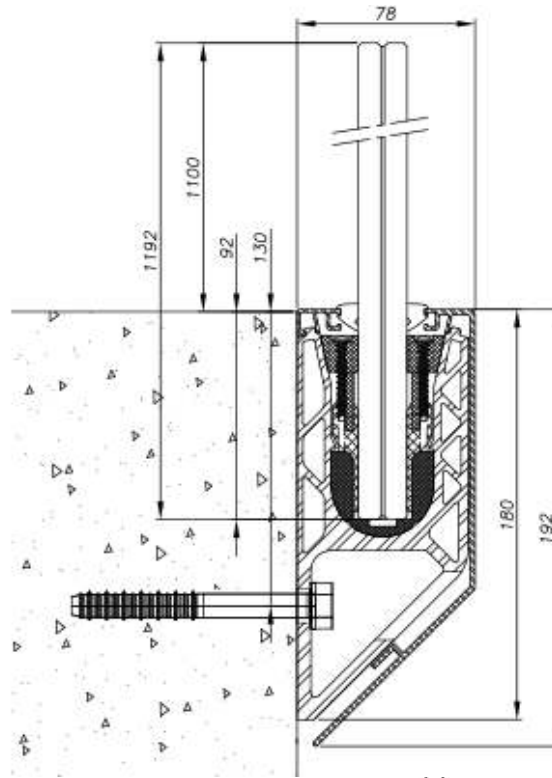
Fixing the profile: Every 200 to 400 mm depending on the requirements of your project.

Glass thickness: 12-25.5mm

Finish: Anodised

Suitable for: Residential and Public Application

LATERAL MOUNTING OFFSET FIXING



NFK Glazing
& Industrial Supplies

www.nfk.com.au

28 Devlan Street,
Mansfield, QLD 4122

07 3343 3377

sales@nfk.com.au

42 Tacoma Circuit,
Canning Vale, WA 6155

08 9455 3866

wasaless@nfk.com.au

2 ONE-SIDE | DOUBLE-SIDED WEDGES

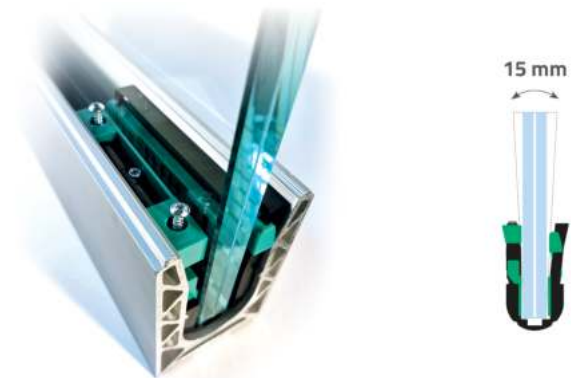
- Reduction of installation time: SABCO wedges solution, allowing glass adjustment, 1 meter: + or - 15mm adjustment
- Durability: tested and validated in a test laboratory during ageing tests
- Safety screws: special anti-corrosion treatment (mechanical and corrosion resistance 2x better than stainless steel screws)
- 100% recycled and recyclable
- Material: ABS
- Compatible with different glass thicknesses

Double-sided fastening



- Fastening on both sides of the profile
- 1 box of 10 wedges for a 2.5m profile

One-sided fastening



- Fastening on one side of the profile
- 8 wedges for a 2.5m profile
- Perfect for balcony balustrade higher than 2nd floor

#	GLASS THICKNESS	11.7-13.3MM	12.4-13.2MM	14.5-15.5 MM	16.2-18.2 MM	16.8-17.5MM	18-20.3 MM	20.4-22.2 MM	20,8-21,5 MM	24.2-25.9 MM	30.9 -32 MM
1	Double-side wedge	87-0070CALE12	X	87-0070CALE15	87-0070CALE08	X	87-0070CALE19	87-0070CALE10	X	87-0070CALE26	upon request
2	One-side 2.0 wedge	X	87-0070CALE1S06	X	X	87-0070CALE1S08	X	X	87-0070CALE1S10	X	upon request

NFK Glazing
& Industrial Supplies

www.nfk.com.au

28 Devlan Street,
Mansfield, QLD 4122

07 3343 3377

sales@nfk.com.au

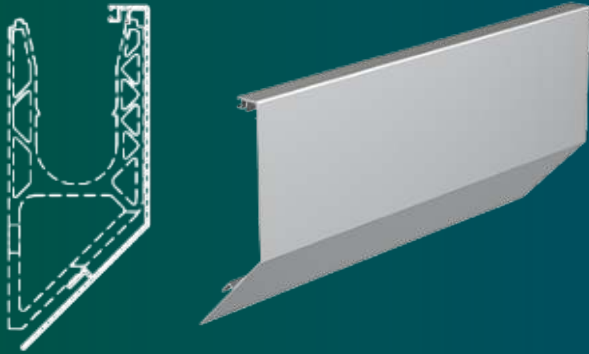
42 Tacoma Circuit,
Canning Vale, WA 6155

08 9455 3866

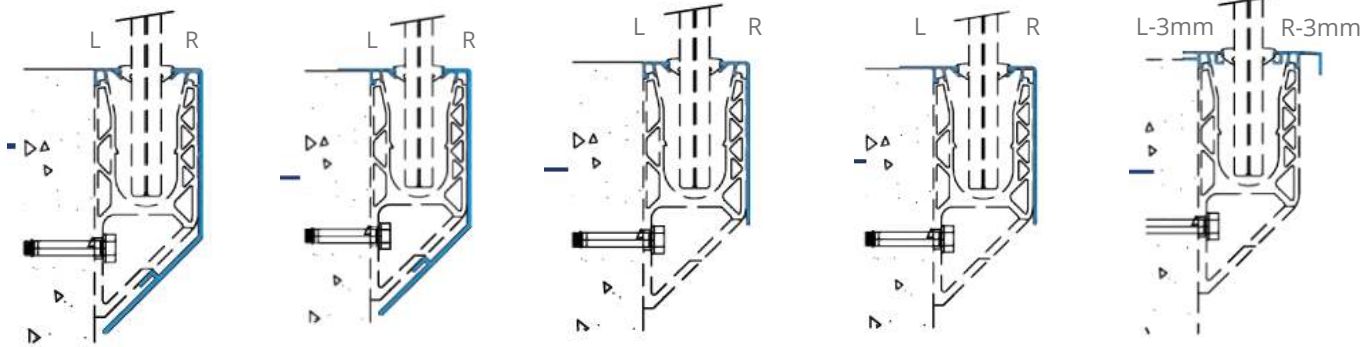
wasaless@nfk.com.au

3 OFFSET SIDE CLADDINGS

THE DETAIL THAT MAKES THE DIFFERENCE



- There is a wide range of cladding options for different project specifications and requirements to make your application look perfect
- The cladding range is compatible with one-sided or double-sided wedges utilizing the two different seals
- Available in length 2.5 and 5 metres
- Material: aluminium
- Finish: anodised aluminium
- Clip and tape mounting



Configuration A

Configuration B

Configuration C

Configuration D

Configuration E - 3mm

Cladding thickness options: 3mm (L, R), 10mm (R), 15mm (R), 20mm (R) - available upon request

#	Length	2500MM				5000MM			
		Configuration	A	B	C	D	A	B	C
1	Left Cladding	87-0070C210.11	87-0070C204.11	87-0070C210.11	87-0070C204.11	87-0070C510.11	87-0070C504.11	87-0070C510.11	87-0070C504.11
2	Right Cladding	87-0070C203.11	87-0070C203.11	87-0070C209.11	87-0070C209.11	87-0070C203.11	87-0070C203.11	87-0070C509.11	87-0070C509.11
3	Cladding G12&19, Left	87-0070C206.11	X	87-0070C206.11	X	87-0070C506.11	X	87-0070C506.11	X
4	Cladding G12&19, Right	X	X	87-0070C205.11	87-0070C205.11	X	X	87-0070C505.11	87-0070C505.11
5	Cladding, Mix Seal, Left	X	X	X	X	X	X	X	X
6	Cladding, Mix Seal, Right	X	X	X	X	X	X	X	X
7	Slab Cladding, Mix Seal, Left	87-0070C210.11	X	87-0070C210.11	X	87-0070C510.11	X	87-0070C510.11	X
8	High cladding with slab edge	X	X	X	X	X	X	X	X
9	High cladding slab edge mix seal, Left	87-0070C210.11	X	87-0070C210.11		87-0070C510.11	X	87-0070C510.11	

NFK Glazing & Industrial Supplies

www.nfk.com.au

28 Devlan Street, Mansfield, QLD 4122

07 3343 3377

sales@nfk.com.au

42 Tacoma Circuit, Canning Vale, WA 6155

08 9455 3866

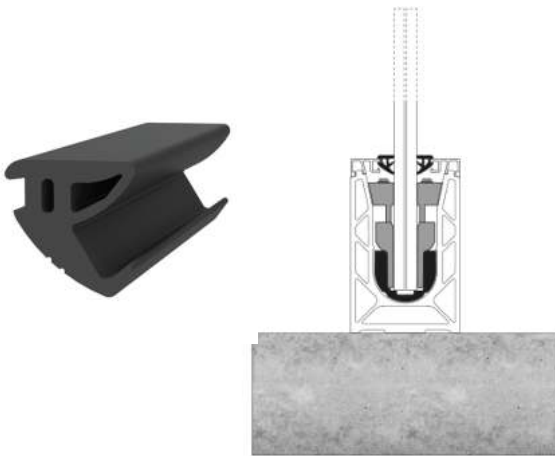
wasales@nfk.com.au

4 RUBBER SEALS

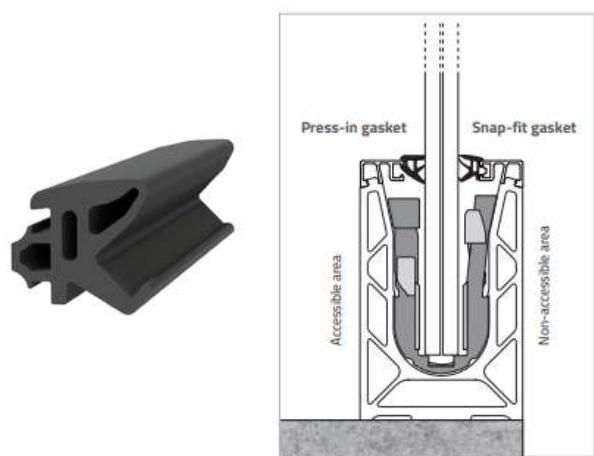


- Protect the inside of the profile from dust and water
- The seal should be installed after the glass
- Compatible with all extrusions
- High UV and hydrocarbon resistance
- Material: EPDM
- Sold by the metre
- Colour: black
- Suitable for a variety of glass thicknesses

Press-in gaskets, DOUBLE-SIDED



Snap-fit gaskets, ONE-SIDED



#	GLASS THICKNESS	12 -> 12,76 MM	15 MM	16,76 -> 17,52 MM	20,76 -> 21,52 MM	24,2 -> 25,9 MM	24,76 -> 25,5 MM
1	Press-in gaskets, Double-Sided	87-0070J9/16	87-0070J9/16	87-0070J0808	87-0070J1010	X	87-0070J1212
2	Snap-fit gaskets, One-Sided	X	X	87-0070J0808C	87-0070J1010C	87-0070J1212C	X

NFK Glazing
& Industrial Supplies

www.nfk.com.au

28 Devlan Street,
Mansfield, QLD 4122

07 3343 3377

sales@nfk.com.au

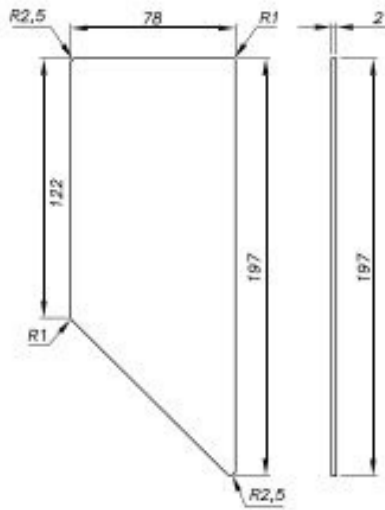
42 Tacoma Circuit,
Canning Vale, WA 6155

08 9455 3866

wasales@nfk.com.au

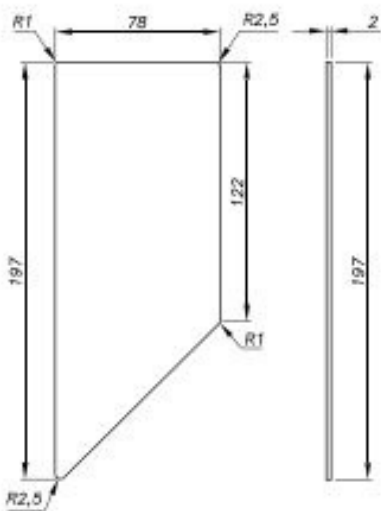
4 END CAPS

- End caps designed to close the ends of profiles
- Adhesive tape mounting



END CAPS

- | | | |
|---|--|-----------------|
| 1 | End cap suitable for Sabco Lateral Mounting, Right | 87-0070CE13D.11 |
| 2 | End cap suitable for Sabco Lateral Mounting, Left | 87-0070CE13G.11 |



CREATE YOUR OWN SOLUTION

You'll get a tailored solution to meet your specific requirements using different accessories: cladding, wedges, seals etc.



TYPICAL KIT COMPONENTS

for 5m length balustrade, 21mm glass thickness

#	COMPONENT	QTY
1	Sabco Original Rail (Lateral mounting), 5m	1
2	One-sided wedges for 21 mm glass	16 (1 box)
3	Side and horizontal cladding (Configuration C), 5m	2
4	Rubber seals, Press-in gaskets (double-sided)	5m
	Snap-fit gaskets (one-sided)	5m
5	Spacers	2
6	End cap	2
7	Screw, alignment pins, kit	1

NFK Glazing
& Industrial Supplies

www.nfk.com.au

28 Devlan Street,
Mansfield, QLD 4122

07 3343 3377

sales@nfk.com.au

42 Tacoma Circuit,
Canning Vale, WA 6155


08 9455 3866


wasales@nfk.com.au

- Sabco Original Balustrade system is suitable for public & commercial application
- In comparison with the other channel balustrade systems Sabco is the easiest and fastest in installation
- A big range of components makes the system look perfect with most of the glass thickness at a variety of installation conditions

NFK Glazing
& Industrial Supplies


www.nfk.com.au

 28 Devlan Street,
Mansfield, QLD 4122

 07 3343 3377

 sales@nfk.com.au

 42 Tacoma Circuit,
Canning Vale, WA 6155

 08 9455 3866

 wasales@nfk.com.au