



NFK GLAZING & INDUSTRIAL SUPPLIES
Professional Products for the Glass & Glazing industry

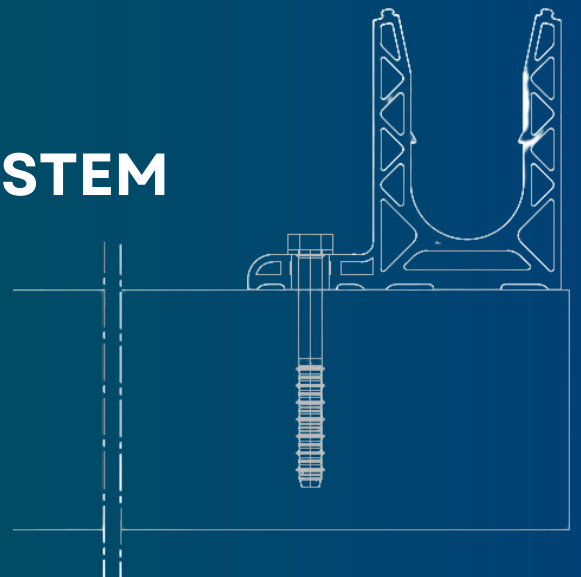
**THE INVISIBLE
PROTECTION**



SABCO[®] EVO

FRAMELESS BALUSTRADE SYSTEM

PERFORMANCE FROM 0.6 TO 3 KN
OFFSET FLOOR MOUNTING



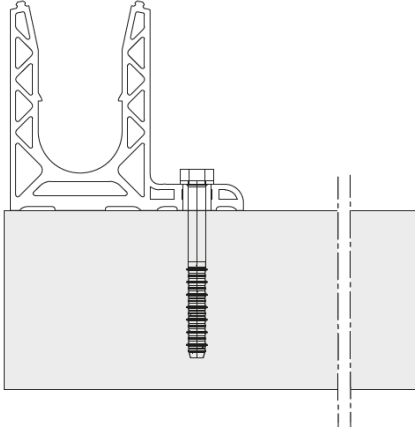
NFK Glazing & Industrial
Supplies

www.nfk.com.au

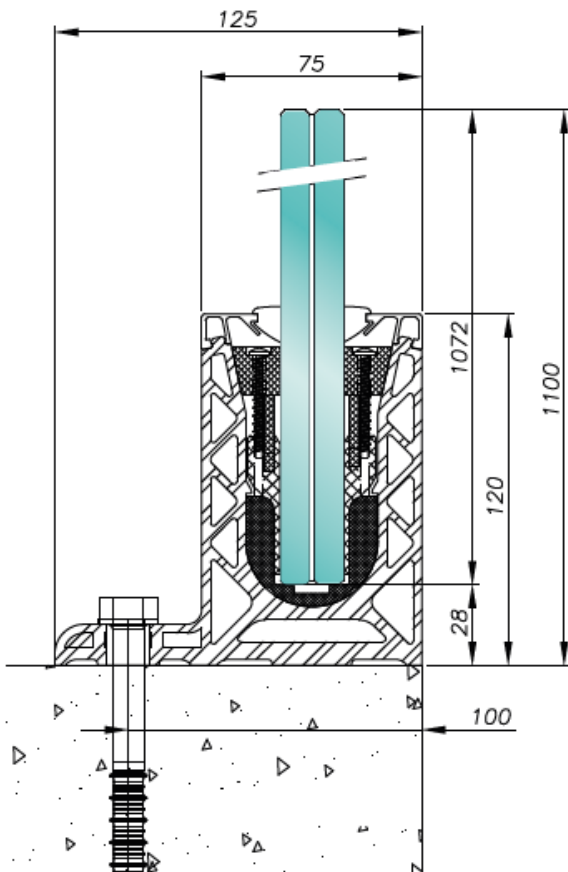
 28 Devlan Street,
Mansfield, QLD 4122
 07 3343 3377
 sales@nfk.com.au

 42 Tacoma Circuit,
Canning Vale, WA 6155
 08 9455 3866
 wasales@nfk.com.au

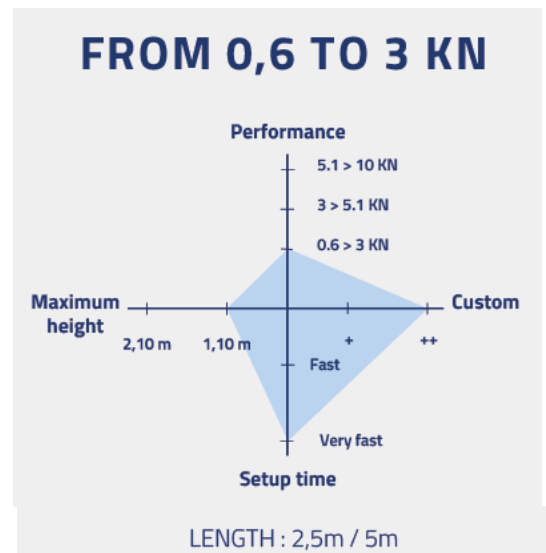
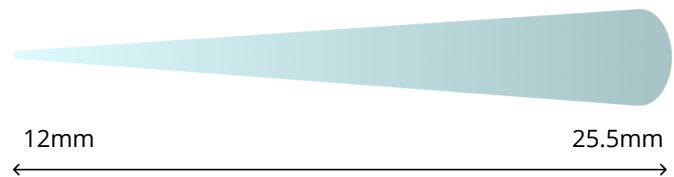
Sabco Evo Channel Balustrade System



- Designed and engineered in France
- Suitable for surface mounting
- The system is very flexible and can be adapted to various installation conditions using different components
- Minimum installation time and effort
- One-side wedges offer the option to install glass and tighten the clamps from one side only
- Numerous glass types tested in AU
- Adjustment of the glass alignment: + or - 15mm at 1.10m
- Compatible for use with high glass above 1.1m
- The fastening distance can be up to 800 mm
- Integrated drainage system
- Prefinished extrusion



Suitable for Glass thickness



NFK Glazing
& Industrial Supplies

www.nfk.com.au

28 Devlan Street,
Mansfield, QLD 4122

07 3343 3377

sales@nfk.com.au

42 Tacoma Circuit,
Canning Vale, WA 6155

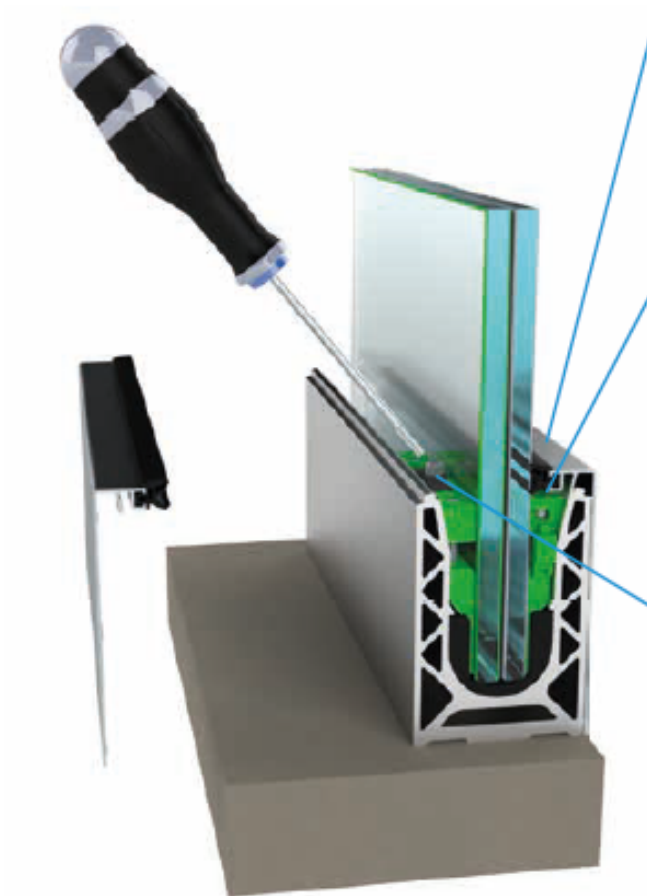
08 9455 3866

wasales@nfk.com.au

EASY INSTALLATION TO FIT

Sabco channel system differs from other products on the market by being easy and fast to assemble!

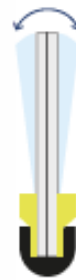
The simple installation makes it ideal for installing on stairs and ramps without special tools or messy cement grouts.



1

CLADDING WITH SEAL

2



GLASS ADJUSTMENT

SABCO's wedge system aligns the glass for a quicker and easier installation.

*Profile fixing suitable every 400 mm**

3

「SIDE」

ONE SIDE ONE STEP !

Easy adjustment thanks to the clamps, no other installation requirements except tightening!

NFK Glazing
& Industrial Supplies

www.nfk.com.au

📍 28 Devlan Street,
Mansfield, QLD 4122

☎ 07 3343 3377

✉ sales@nfk.com.au

📍 42 Tacoma Circuit,
Canning Vale, WA 6155

☎ 08 9455 3866

✉ wasales@nfk.com.au

SABCO EVO CHANNEL BALUSTRADE SYSTEM KIT

The Kit is formed individually depending on the glass thickness, length, and installation conditions.

① RAIL

Finish directly applied to rail.

EVO Rails have the finish directly applied to the surface.

② CLADDING

Choose your cladding!

There is a wide range of cladding options for different project specifications

③ WEDGE

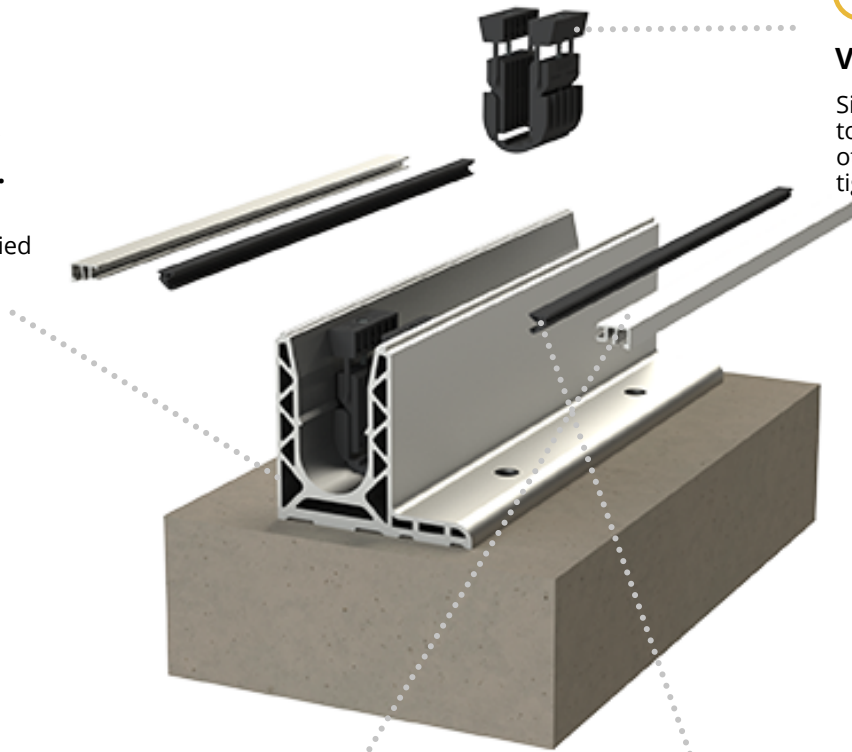
Very fast installation

Simple adjustment thanks to the patented clamps, no other actions except tightening.

④ SEALS

Protection

For a better protection against dust and water.



1 RAIL (OFFSET PROFILE)



- | | | |
|---|--|---------------|
| 1 | Sabco Evo Rail, Offset Floor Mounting, 5000 mm | 87-0070R25.11 |
| 2 | Sabco Evo Rail, Offset Floor Mounting, 2500 mm | 87-0070R15.11 |

Technical characteristics

Length: 2 500 mm / 5 000 mm

Type: Drilled every 200mm

Width: 125 mm

Height of profile: 112 mm

Material: Aluminum

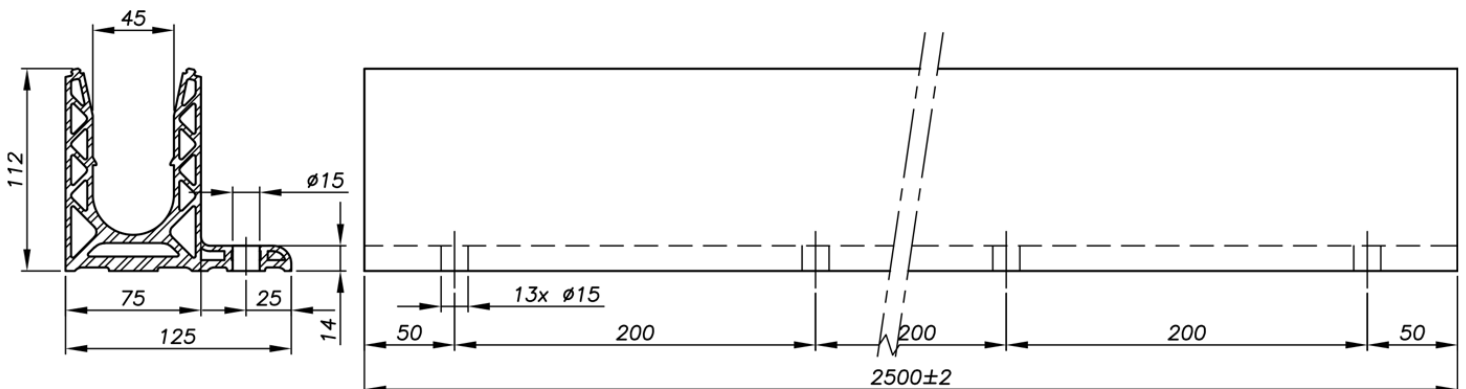
Height of guardrail: Standart: 1500 mm

Fixing the profile: From 200 to 600 mm depending on the requirements of your project.

Glass thickness: 12-25.5mm

Finish: Anodised aluminium

Suitable for: Residential and Public Application



2 ONE-SIDED | DOUBLE-SIDED WEDGES

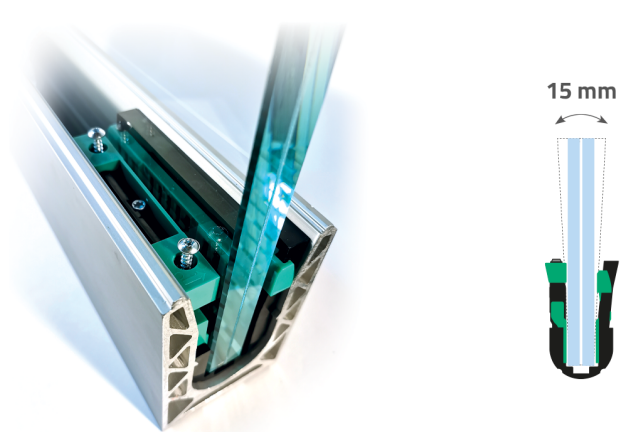
- Reduction of installation time: SABCO wedges solution, allowing glass adjustment, 1 meter: + or - 15mm adjustment
- Durability: tested and validated in a test laboratory during ageing tests
- Safety screws: special anti-corrosion treatment (mechanical and corrosion resistance 2x better than stainless steel screws)
- 100% recycled and recyclable
- Material: ABS
- Compatible with different glass thicknesses

Double-sided fastening



- Fastening on both sides of the profile
- 1 box of 10 wedges for a 2.5m profile

One-sided fastening



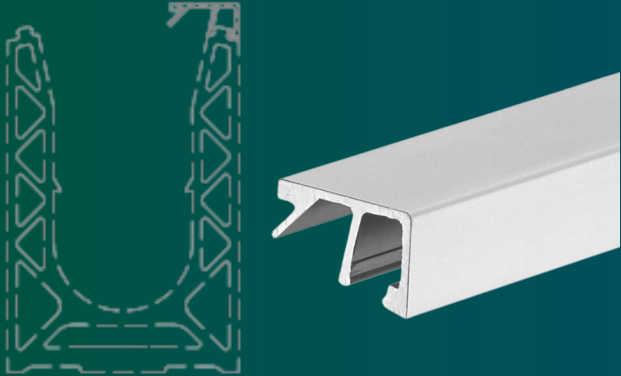
- Fastening on one side of the profile
- 8 wedges for a 2.5m profile
- Perfect for balcony balustrade higher than 2nd floor

#	GLASS THICKNESS	11.7-13.3MM	12.4-13.2MM	14.5-15.5 MM	16.2-18.2 MM	16.8-17.5MM	18-20.3 MM	20.4-22.2 MM	20,8-21,5 MM	24.2-25.9 MM	30.9 -32 MM
1	Double-side wedge	87-0070CALE12	X	87-0070CALE15	87-0070CALE08	X	87-0070CALE19	87-0070CALE10	X	87-0070CALE26	upon request
2	One-side 2.0 wedge	X	87-0070CALE1506	X	X	87-0070CALE1508	X	X	87-0070CALE1510	X	upon request

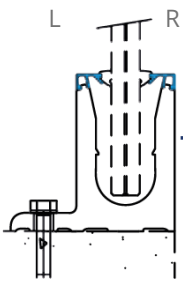
3

CLADDINGS

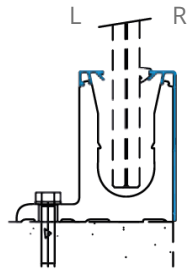
THE DETAIL THAT MAKES THE DIFFERENCE



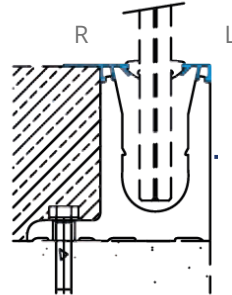
- There is a wide range of cladding options for different project specifications and requirements to make your application look perfect
- The cladding range is compatible with one-side or double-side wedges utilizing the two different seals
- Available in length 2.5 and 5 metres
- Material: aluminium
- Finish: anodised aluminium



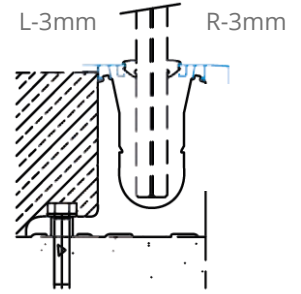
Configuration A



Configuration B



Configuration C



Configuration D

Cladding thickness options: 3mm (L, R), 10mm (R), 15mm (R), 20mm (R) - available upon request

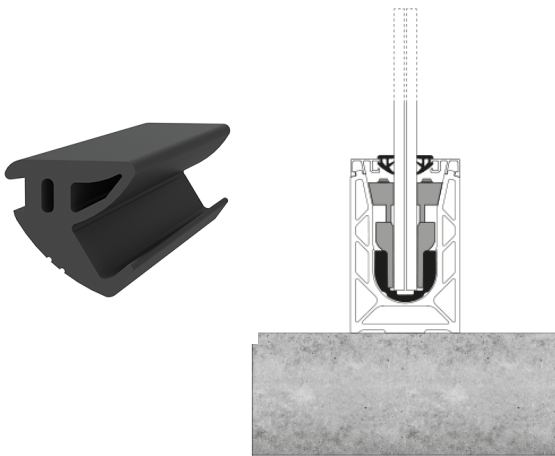
#	Configuration	2500MM			5000MM		
		A	B	C	A	B	C
1	Left Cladding	87-0070C217.11	87-0070C217.11	87-0070C204.11	87-0070C517.11	87-0070C517.11	87-0070C504.11
2	Right Cladding	87-0070C217.11	87-0070C209.11	87-0070C217.11	87-0070C517.11	87-0070C509.11	87-0070C517.11
3	Cladding G12&19, Left	87-0070C206.11	87-0070C206.11	X	87-0070C506.11	87-0070C506.11	X
4	Cladding G12&19, Right	87-0070C206.11	87-0070C205.11	87-0070C206.11	87-0070C506.11	87-0070C505.11	87-0070C506.11
5	Cladding, Mix Seal, Left	87-0070C217.11	87-0070C217.11	X	87-0070C517.11	87-0070C517.11	X
6	Cladding, Mix Seal, Right	87-0070C217.11	87-0070C209.11	87-0070C217.11	87-0070C517.11	87-0070C509.11	87-0070C517.11

4 RUBBER SEALS

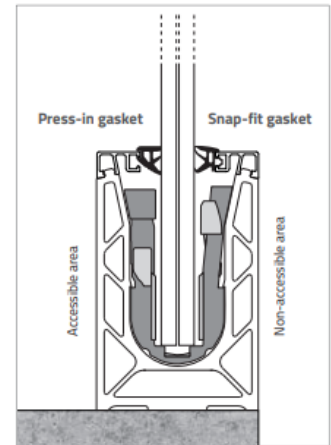
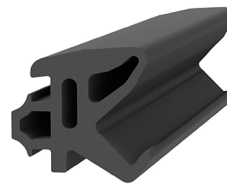


- Protect the inside of the profile from dust and water
- The seal should be installed after the glass
- Compatible with all extrusions
- High UV and hydrocarbon resistance
- Material: EPDM
- Sold by the metre
- Colour: black
- Suitable for a variety of glass thicknesses

Press-in gaskets, DOUBLE-SIDED



Snap-fit gaskets, ONE-SIDED

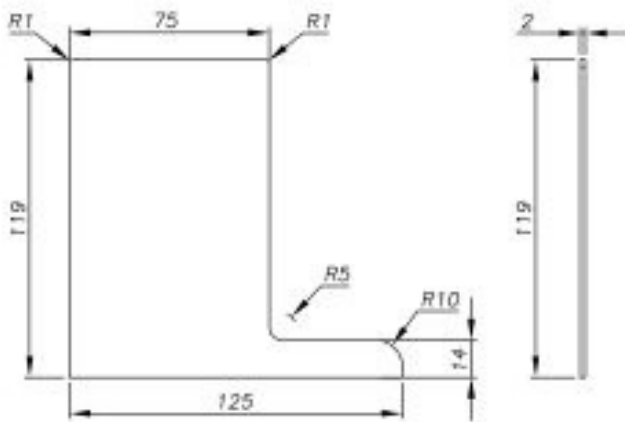
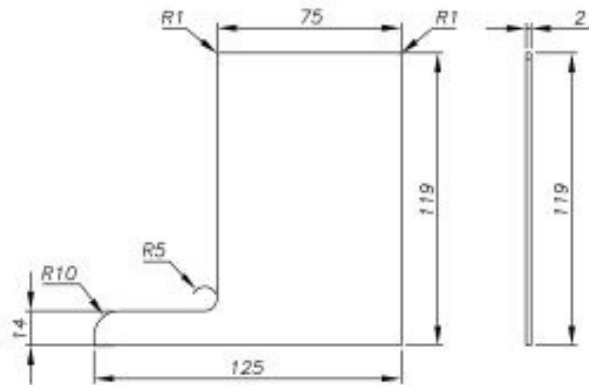


#	GLASS THICKNESS	12 -> 12,76 MM	15 MM	16,76 -> 17,52 MM	20,76 -> 21,52 MM	24,2 -> 25,9 MM	24,76 -> 25,5 MM
1	Press-in gaskets, Double-Sided	87-0070J9/16	87-0070J9/16	87-0070J0808	87-0070J1010	X	87-0070J1212
2	Snap-fit gaskets, One-Sided	X	X	87-0070J0808C	87-0070J1010C	87-0070J1212C	X

6 END CAPS



- End caps designed to close the ends of profiles
- Adhesive tape mounting
- Natural Anodised finish

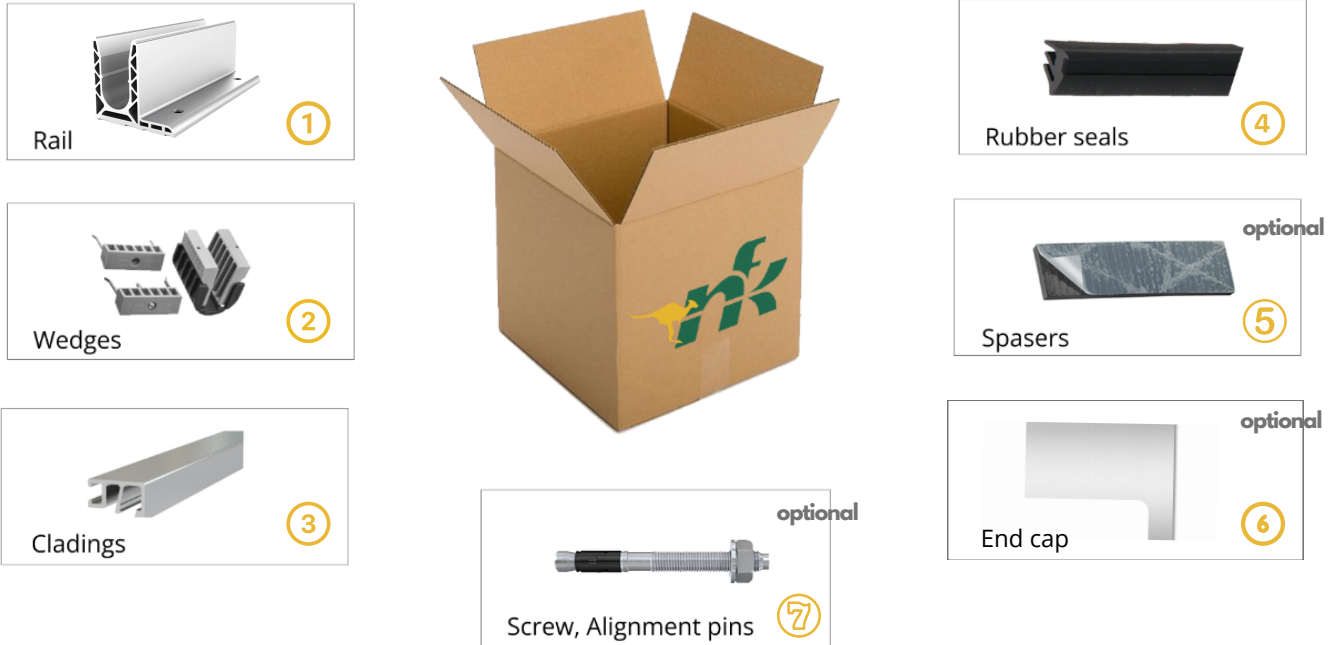


END CAPS

1	End cap suitable for Sabco EVO Offset Floor Mounting, Right	87-0070CE15D.11
2	End cap suitable for Sabco EVO Offset Floor Mounting, Left	87-0070CE15G.11

CREATE YOUR OWN SOLUTION

You'll get a tailored solution to meet your specific requirements using different accessories: cladding, wedges, seals etc.



TYPICAL KIT COMPONENTS

for 5m length balustrade, 15mm glass thickness

#	COMPONENTS	QTY
1	Sabco Evo Offset Rail, 5m	1
2	Double-sided wedges for 15mm glass	20 (1 box)
3	Cladding (A configuration)	4
4	Rubber seals, Press-in gaskets (double-sided)	10 m
5	Spacers	1
6	End cap	1
7	Screw, alignment pins, kit	1