



# NFK GLAZING & INDUSTRIAL SUPPLIES

Professional Products for the Glass & Glazing industry

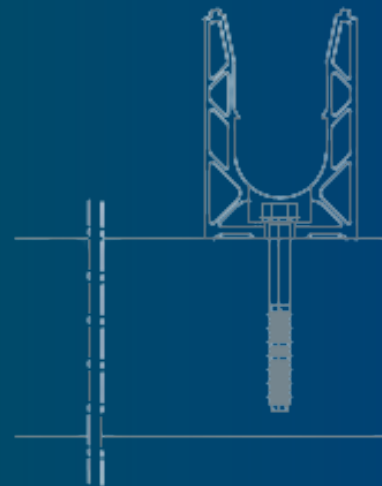
THE INVISIBLE  
PROTECTION



## SABCO<sub>EVO</sub>


### FRAMELESS BALUSTRADE SYSTEM


PERFORMANCE FROM 0.6 TO 3 KN  
FLOOR MOUNTING



NFK Glazing  
& Industrial Supplies


[www.nfk.com.au](http://www.nfk.com.au)

 28 Devlan Street,  
Mansfield, QLD 4122

 07 3343 3377

 [sales@nfk.com.au](mailto:sales@nfk.com.au)

 42 Tacoma Circuit,  
Canning Vale, WA 6155

 08 9455 3866

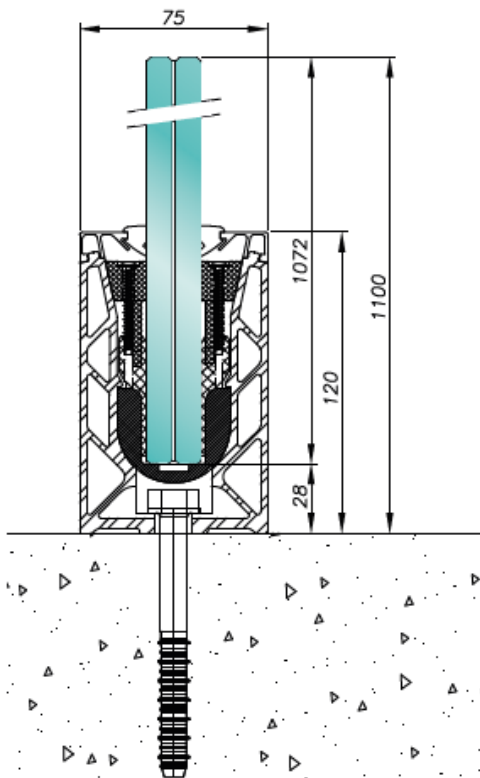
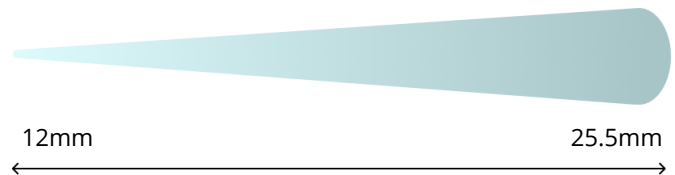
 [wasales@nfk.com.au](mailto:wasales@nfk.com.au)

## SABCO EVO CHANNEL BALUSTRADE SYSTEM

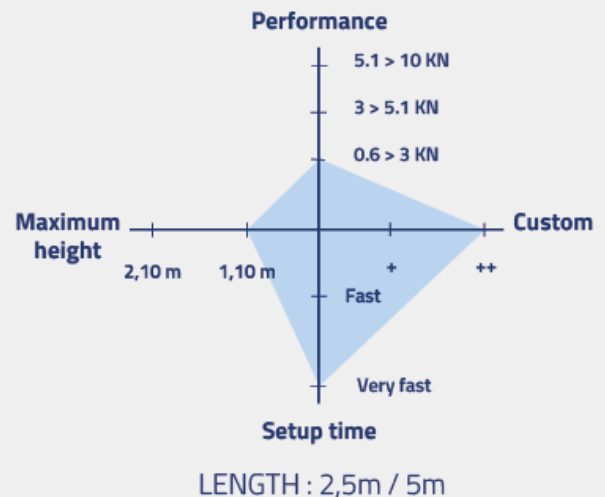


- Designed and engineered in France
- Suitable for surface mounting
- The system is very flexible and can be adapted to various installation conditions using different components
- Minimum installation time and effort
- One-side wedges offer the option to install glass and tighten the clamp from one side only
- Numerous glass types tested in AU
- Adjustment of the glass alignment: + or - 15mm at 1.10m
- Maximum glass height is 2.10m for windbreak applications
- Integrated drainage system
- Prefinished extrusion

Suitable for glass thickness



**FROM 0,6 TO 3 KN**



NFK Glazing  
& Industrial Supplies

[www.nfk.com.au](http://www.nfk.com.au)

28 Devlan Street,  
Mansfield, QLD 4122

07 3343 3377

[sales@nfk.com.au](mailto:sales@nfk.com.au)

42 Tacoma Circuit,  
Canning Vale, WA 6155

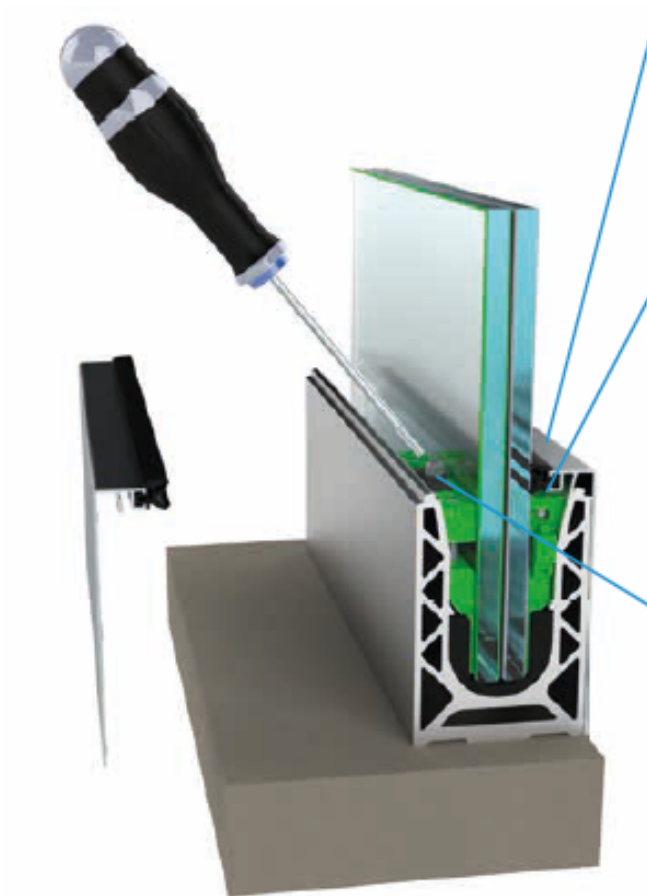
08 9455 3866

[wasales@nfk.com.au](mailto:wasales@nfk.com.au)

## EASY INSTALLATION TO FIT

Sabco channel system differs from other products on the market by being easy and fast to assemble!

The simple installation makes it ideal for installing on stairs and ramps without special tools or messy cement grouts.

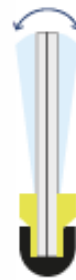


1

CLADDING WITH SEAL

2

GLASS ADJUSTMENT



SABCO's wedge system aligns the glass for a quicker and easier installation.

*Profile fixing suitable every 400 mm\**

3

「SIDE」

ONE SIDE ONE STEP !

Easy adjustment thanks to the clamps, no other installation requirements except tightening!

NFK Glazing & Industrial Supplies

[www.nfk.com.au](http://www.nfk.com.au)

📍 28 Devlan Street, Mansfield, QLD 4122

☎ 07 3343 3377

✉ [sales@nfk.com.au](mailto:sales@nfk.com.au)

📍 42 Tacoma Circuit, Canning Vale, WA 6155

☎ 08 9455 3866

✉ [wasales@nfk.com.au](mailto:wasales@nfk.com.au)

# SABCO EVO CHANNEL BALUSTRADE SYSTEM KIT

The Kit is formed individually depending on the glass thickness, length, and installation conditions.

## ① RAIL

**Finish directly applied to rail.**

EVO Rails have the finish directly applied to the surface.

## ② CLADDING

**Choose your cladding!**

For a talor-made project solution, finish custom possible.

## ③ WEDGE

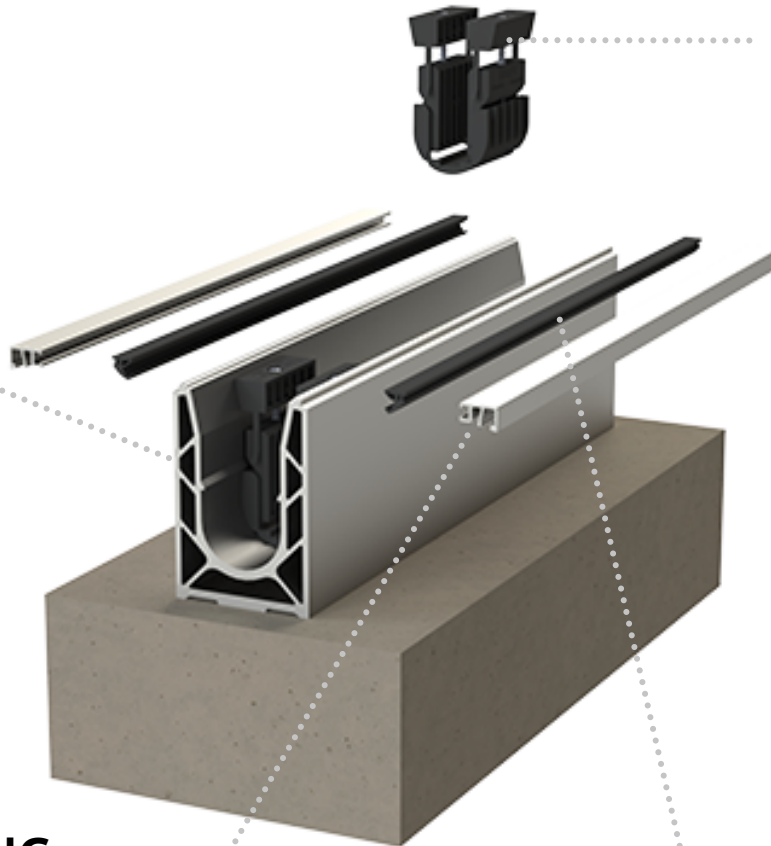
**Very fast installation**

Simple adjustment thanks to the patented clamps, no other actions except tightening.

## ④ SEALS

**Protection**

For a better protection against dust and water.



NFK Glazing  
& Industrial Supplies

[www.nfk.com.au](http://www.nfk.com.au)

📍 28 Devlan Street,  
Mansfield, QLD 4122

☎ 07 3343 3377

✉ [sales@nfk.com.au](mailto:sales@nfk.com.au)

📍 42 Tacoma Circuit,  
Canning Vale, WA 6155

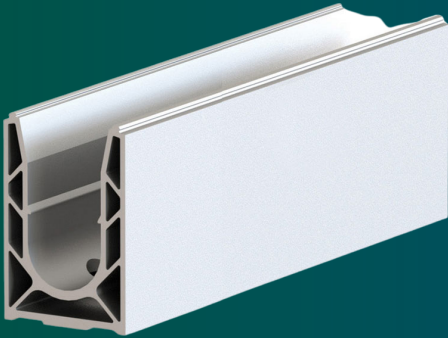
☎ 08 9455 3866

✉ [wasales@nfk.com.au](mailto:wasales@nfk.com.au)

# 1 RAIL (PROFILE)



Profile suitable for curving



- |   |   |               |
|---|---|---------------|
| 1 | Sabco Evo Rail, Floor Mounting, 5000 mm | 87-0070R40.11 |
| 2 | Sabco Evo Rail, Floor Mounting, 2500 mm | 87-0070R30.11 |

## Technical characteristics

Length: 2 500 mm / 5 000 mm

Type: Drilled every 200mm

Width: 75 mm

Height of profile: 112 mm

Material Aluminum

Height of guardrail: Standard: 1 100 mm

Fixing the profile Every 200 to 400 mm depending on the requirements of your project.

Glass thickness: 12-25.5mm

Finish: Anodised aluminium

Suitable for: Residential and Public Application

NFK Glazing  
& Industrial Supplies

[www.nfk.com.au](http://www.nfk.com.au)

28 Devlan Street,  
Mansfield, QLD 4122

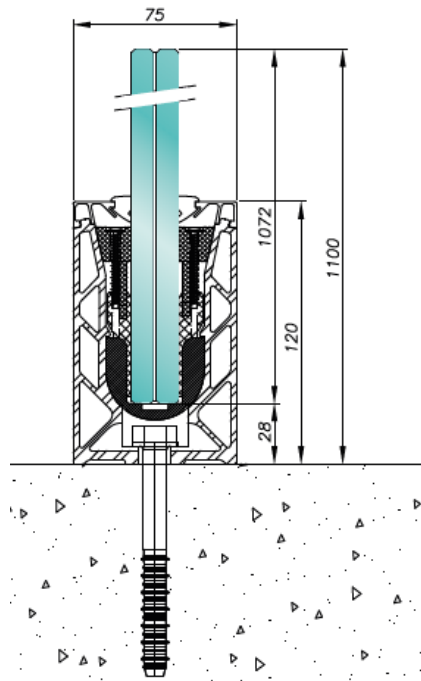
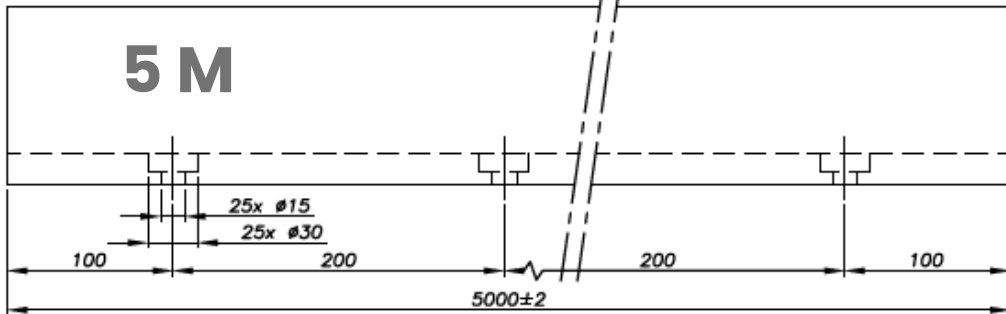
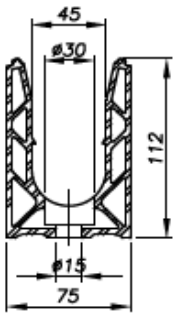
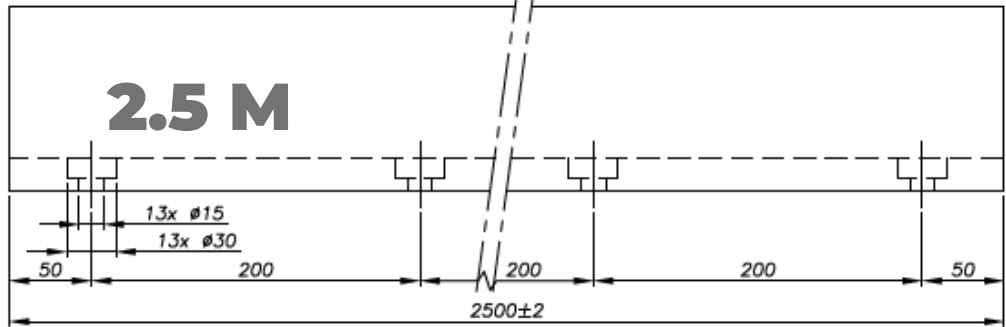
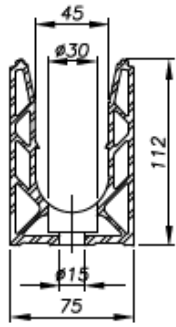
07 3343 3377

[sales@nfk.com.au](mailto:sales@nfk.com.au)

42 Tacoma Circuit,  
Canning Vale, WA 6155

08 9455 3866

[wasales@nfk.com.au](mailto:wasales@nfk.com.au)



## 2 ONE-SIDED | DOUBLE-SIDED WEDGES

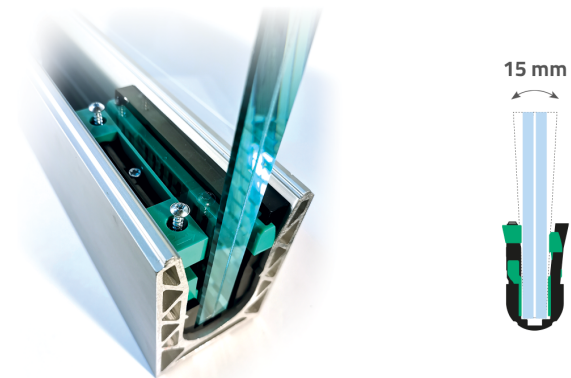
- Reduction of installation time: SABCO wedges solution, allowing glass adjustment, 1 meter: + or - 15mm adjustment
- Durability: tested and validated in a test laboratory during ageing tests
- Safety screws: special anti-corrosion treatment (mechanical and corrosion resistance 2x better than stainless steel screws)
- 100% recycled and recyclable
- Material: ABS
- Compatible with different glass thicknesses

### Double-sided fastening



- Fastening on both sides of the profile
- 1 box of 10 wedges for a 2.5m profile

### One-sided fastening



- Fastening on one side of the profile
- 8 wedges for a 2.5m profile
- Perfect for balcony balustrade higher than 2nd floor

| # | GLASS THICKNESS    | 11.7-13.3MM   | 12.4-13.2MM     | 14.5-15.5 MM  | 16.2-18.2 MM  | 16.8-17.5MM     | 18-20.3 MM    | 20.4-22.2 MM  | 20,8-21,5 MM    | 24.2-25.9 MM  | 30.9 -32 MM  |
|---|--------------------|---------------|-----------------|---------------|---------------|-----------------|---------------|---------------|-----------------|---------------|--------------|
| 1 | Double-side wedge  | 87-0070CALE12 | X               | 87-0070CALE15 | 87-0070CALE08 | X               | 87-0070CALE19 | 87-0070CALE10 | X               | 87-0070CALE26 | upon request |
| 2 | One-side 2.0 wedge | X             | 87-0070CALE1S06 | X             | X             | 87-0070CALE1S08 | X             | X             | 87-0070CALE1S10 | X             | upon request |

NFK Glazing  
& Industrial Supplies

[www.nfk.com.au](http://www.nfk.com.au)

28 Devlan Street,  
Mansfield, QLD 4122

07 3343 3377

[sales@nfk.com.au](mailto:sales@nfk.com.au)

42 Tacoma Circuit,  
Canning Vale, WA 6155

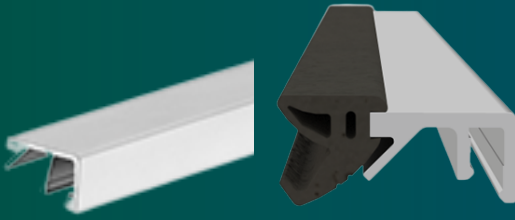
08 9455 3866

[wasales@nfk.com.au](mailto:wasales@nfk.com.au)

3

# ONE-SIDED | DOUBLE-SIDED CLADDING

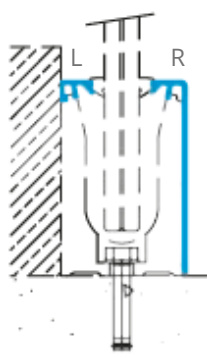
THE DETAIL THAT MAKES THE DIFFERENCE



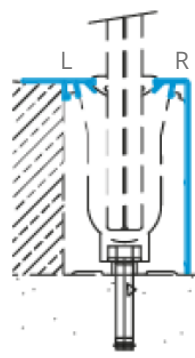
- There is a wide range of cladding options for different project specifications and requirements to make your application look perfect
- The cladding range is compatible with one-side or double-side wedges utilizing the two different seals
- Available in length 2.5 and 5 metres
- Material: aluminium
- Finish: anodised aluminium



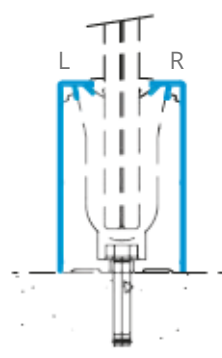
**Configuration A**



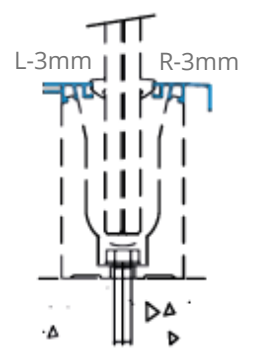
**Configuration B**



**Configuration C**



**Configuration D**



**Configuration E**

Cladding thickness options: 3mm (L, R), 10mm (R), 15mm (R), 20mm (R) - upon request

| # | Length<br>Configuration   | 2500MM         |                |                |                | 5000MM         |                |                |                |
|---|---------------------------|----------------|----------------|----------------|----------------|----------------|----------------|----------------|----------------|
|   |                           | A              | B              | C              | D              | A              | B              | C              | D              |
| 1 | Left Cladding             | 87-0070C217.11 | X              | 87-0070C204.11 | 87-0070C209.11 | 87-0070C517.11 | X              | 87-0070C504.11 | 87-0070C509.11 |
| 2 | Right Cladding            | 87-0070C217.11 | X              | 87-0070C209.11 | 87-0070C509.11 | 87-0070C517.11 | X              | 87-0070C509.11 | 87-0070C509.11 |
| 3 | Cladding G12&19, Left     | 87-0070C206.11 | 87-0070C206.11 | X              | 87-0070C205.11 | 87-0070C506.11 | 87-0070C506.11 | X              | 87-0070C505.11 |
| 4 | Cladding G12&19, Right    | 87-0070C206.11 | 87-0070C205.11 | 87-0070C205.11 | 87-0070C205.11 | 87-0070C506.11 | 87-0070C505.11 | 87-0070C505.11 | 87-0070C505.11 |
| 5 | Cladding, Mix Seal, Left  | X              | 87-0070C210.11 | X              | 87-0070C209.11 | X              | 87-0070C510.11 | X              | 87-0070C509.11 |
| 6 | Cladding, Mix Seal, Right | X              | X              | 87-0070C209.11 | 87-0070C209.11 | X              | X              | 87-0070C509.11 | 87-0070C509.11 |
| 7 | Cladding with slab edge   | X              | 87-0070C209.11 | X              | X              | X              | 87-0070C509.11 | X              | X              |

NFK Glazing & Industrial Supplies

[www.nfk.com.au](http://www.nfk.com.au)

28 Devlan Street, Mansfield, QLD 4122

07 3343 3377

[sales@nfk.com.au](mailto:sales@nfk.com.au)

42 Tacoma Circuit, Canning Vale, WA 6155

08 9455 3866

[wasales@nfk.com.au](mailto:wasales@nfk.com.au)

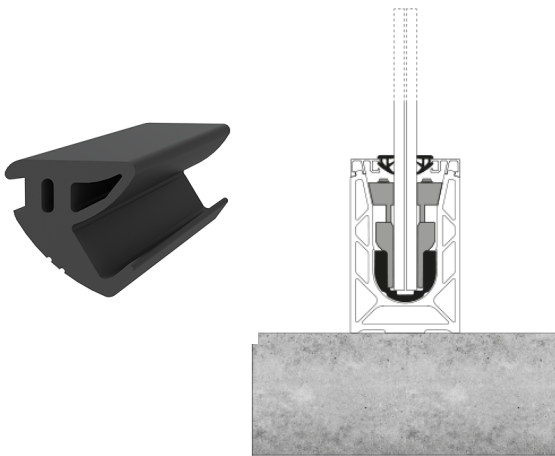


# 4 RUBBER SEALS

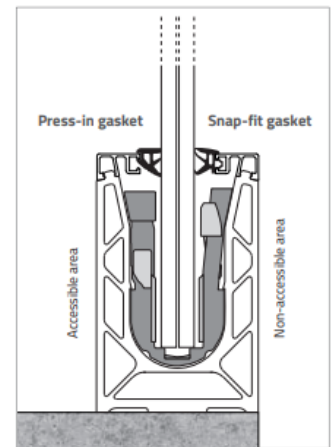
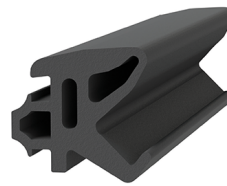


- Protect the inside of the profile from dust and water
- The seal should be installed after the glass
- Compatible with all extrusions
- High UV and hydrocarbon resistance
- Material: EPDM
- Sold by the metre
- Colour: black
- Suitable for a variety of glass thicknesses

## Press-in gaskets, DOUBLE-SIDED



## Snap-fit gaskets, ONE-SIDED



| # | GLASS THICKNESS                | 12 -><br>12,76 MM | 15 MM        | 16,76 -><br>17,52 MM | 20,76 -><br>21,52 MM | 24,2 -><br>25,9 MM | 24,76 -><br>25,5 MM |
|---|--------------------------------|-------------------|--------------|----------------------|----------------------|--------------------|---------------------|
| 1 | Press-in gaskets, Double-Sided | 87-0070J9/16      | 87-0070J9/16 | 87-0070J0808         | 87-0070J1010         | X                  | 87-0070J1212        |
| 2 | Snap-fit gaskets, One-Sided    | X                 | X            | 87-0070J0808C        | 87-0070J1010C        | 87-0070J1212C      | X                   |

NFK Glazing  
& Industrial Supplies

[www.nfk.com.au](http://www.nfk.com.au)

28 Devlan Street,  
Mansfield, QLD 4122

07 3343 3377

[sales@nfk.com.au](mailto:sales@nfk.com.au)

42 Tacoma Circuit,  
Canning Vale, WA 6155

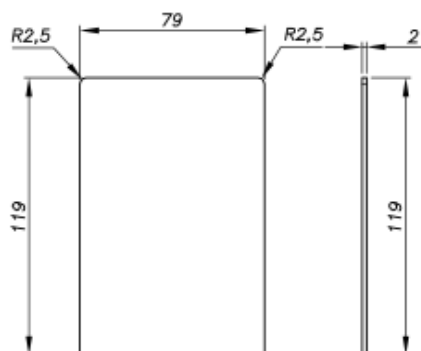
08 9455 3866

[wasales@nfk.com.au](mailto:wasales@nfk.com.au)

# 5 END CAPS



- End caps designed to close the ends of profiles, cut to size.
- Adhesive tape mounting



## END CAPS

- 
- |   |   |
|---|---|
| 1 | End cap suitable for Sabco EVO/Original Floor Mounting, Anodised Aluminium finish |
|---|---|
- 

87-0070CE.11

## CREATE YOUR OWN SOLUTION

You'll get a tailored solution to meet your specific requirements using different accessories: cladding, wedges, seals etc.



## TYPICAL KIT COMPONENTS

for 5m length balustrade, 15mm glass thickness

| # | COMPONENT                                     | QTY        |
|---|---|------------|
| 1 | Sabco Evo Floor mounting Rail, 5m             | 1          |
| 2 | Double-sided wedges for 15mm glass            | 20 (1 box) |
| 3 | Cladding (A configuration)                    | 2          |
| 4 | Rubber seals, Press-in gaskets (double-sided) | 10m        |
| 5 | Spacers                                       | 1          |
| 6 | End cap                                       | 1          |
| 7 | Screw, alignment pins, kit                    | 1          |

NFK Glazing  
& Industrial Supplies

[www.nfk.com.au](http://www.nfk.com.au)

28 Devlan Street,  
Mansfield, QLD 4122

07 3343 3377

[sales@nfk.com.au](mailto:sales@nfk.com.au)

42 Tacoma Circuit,  
Canning Vale, WA 6155

08 9455 3866

[wasales@nfk.com.au](mailto:wasales@nfk.com.au)