



NFK GLAZING & INDUSTRIAL SUPPLIES P/L

SADEVdecor

SLIDING DOOR SYSTEMS

Sadev Strong



SADEV STRONG

The “Strong” sliding door system has unique features that set it apart from the competition. Practical design to assist with installation, precision machined components, the strength to handle doors up to 150kg are some of the features that stand out.

A wide range of door configurations are possible, with only the most common designs shown in this brochure. NFK’s ability to custom design and manufacture components to suit this system, make the configuration possibilities endless.

Tracks can be supported from solid walls, glass facades, ceiling hung, or any combination of these.

Sadev Medium



SADEV MEDIUM

A lighter weight version of the Strong System, suitable for smaller door weights, the system includes a track mount which simply clamps the track in place, making for faster and more flexible installation.

Utilising the same high quality “Strong” roller carriage, effortless and vibration free door service is guaranteed for years.

Suitable for door weights up to 80kg, allows for a wide scope of installation options

Sadev Direct Roller



SADEV DIRECT ROLLER

Suitable for lighter weight doors where a more, refined, minimalist approach is required. While offering a slender carriage design, the system is still capable of carrying doors 2400mm high x 1100mm wide in 10mm toughened glass. Thus making Direct Sliding Door suitable for a wide range of applications.

Contents



SADEV STRONG

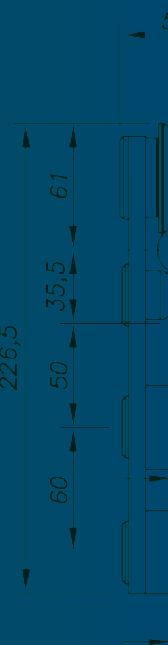
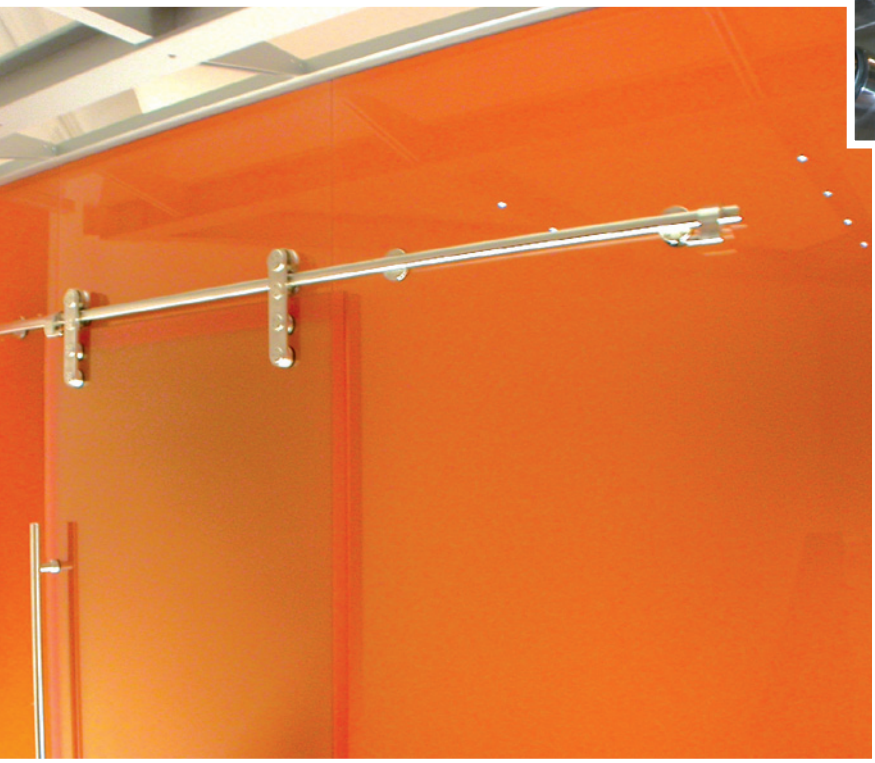
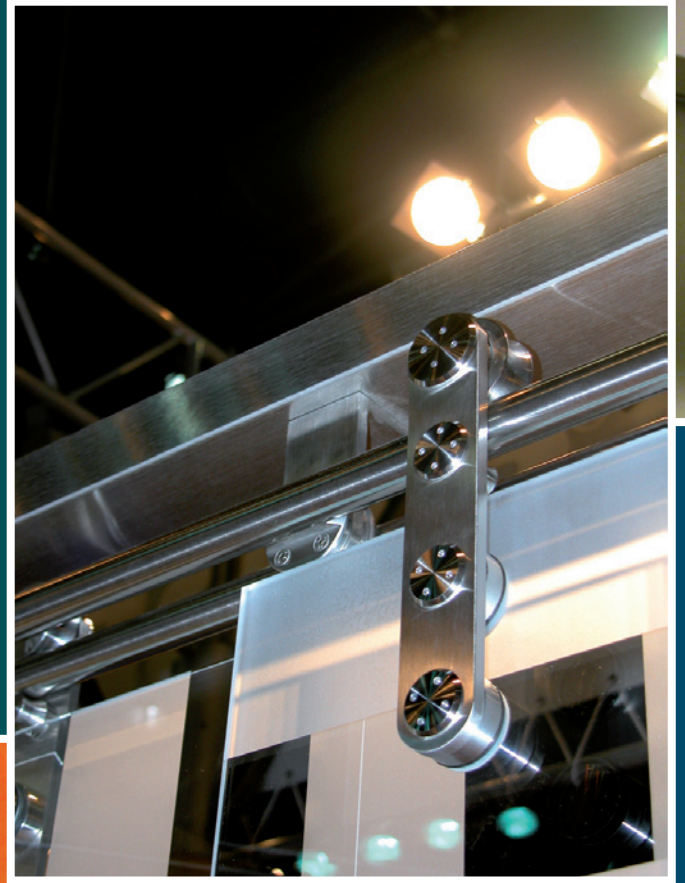
Door Configurations - Single door fixed to wall	6
Door Configurations - Single door fixed to glass	6
Door Configurations - Double doors fixed to wall	7
Door Configurations - Double doors fixed to glass	7
Strong sliding door carriage	8
Door stop	9
Track mount for glass installation	10
Track mount for wall installation	11
Track	12
End caps	12
Rod connectors	12
Floor guide	12
Track end fitting for wall	13
Track end fitting for glass	13

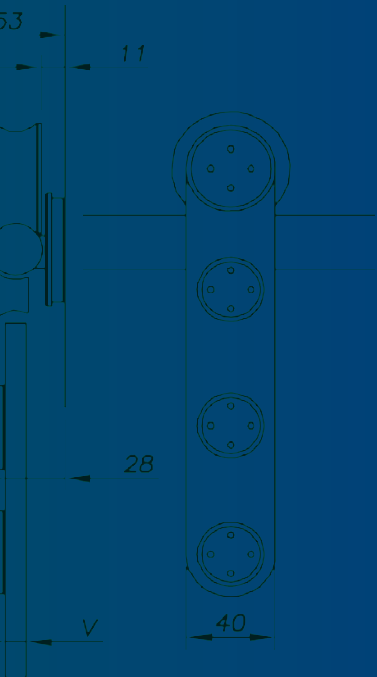
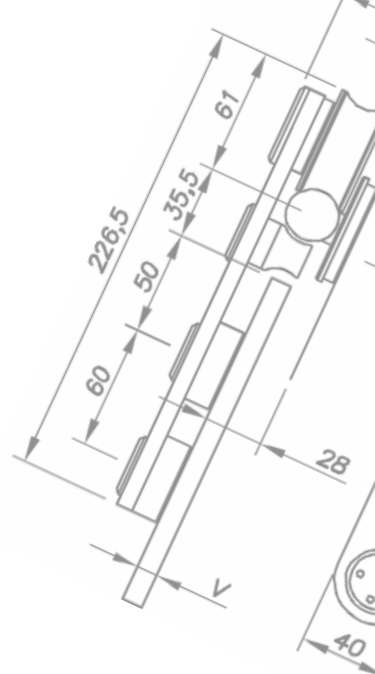
SADEV MEDIUM

Door Configurations - Single door with side-lites & high lite glass	16
Door Configurations - Single door fixed to wall	16
Door Configurations - Double door fixed to wall	17
Door Configurations - Double door fixed to glass	17
Medium sliding door carriage	18
Door stop	19
Track mount for glass installation	20
Track mount for wall installation	21
Track	22
End caps	22
Rod connectors	22
Floor guide	22
Track end fitting for wall	23
Track end fitting for glass	23

SADEV DIRECT ROLLER

Door Configurations - Single door fixed to wall	26
Door Configurations - Single door with side-lites & high lite glass	26
Direct Slider Roller	27
Track mount for glass installation	28
Track mount for wall installation	29
Track	30
Door stop	30
Floor guide	30
Track end fitting for wall	31
Track end fitting for glass	31

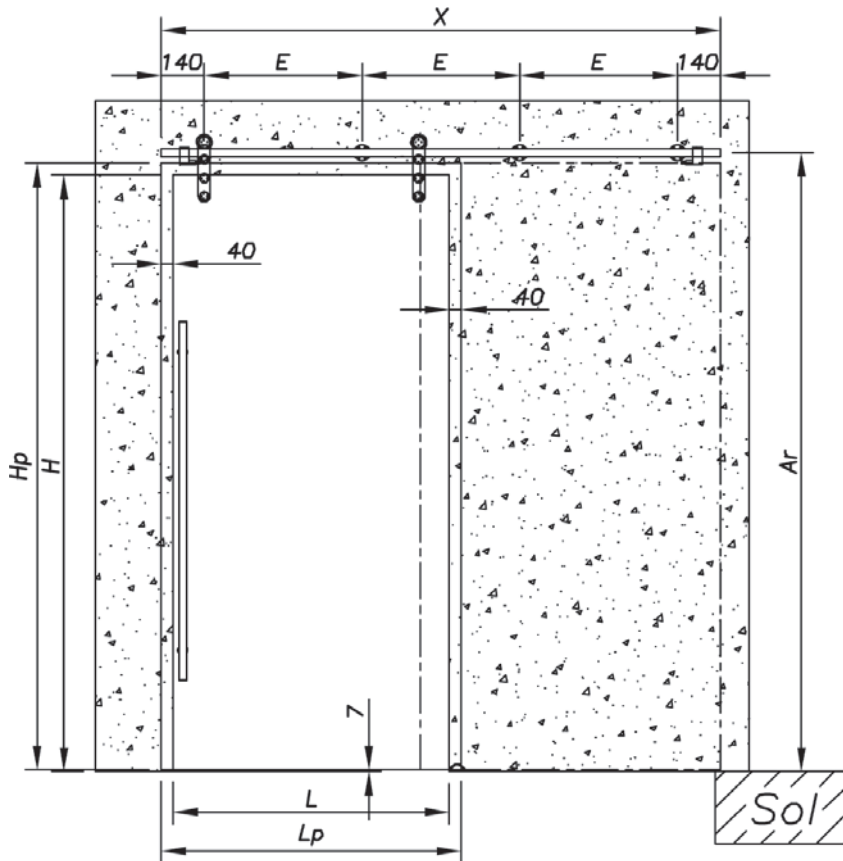




SLIDING DOORS STRONG

SADEVdecor

Single door fixed to wall



A common use of the NFK Strong Sliding Door. The track attaches to the wall across the top of an opening and produces a clean, modern and functional door.

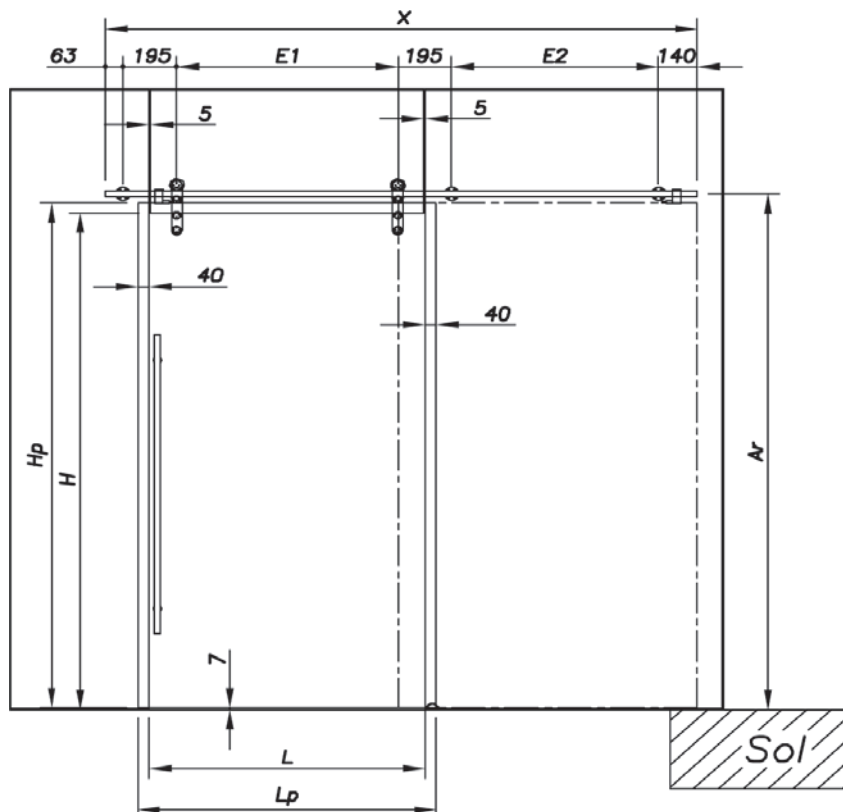
Quality components, minimal sliding resistance and vibration free operation are attributes synonymous with the Complete NFK Sliding Door range.

Capable of carrying frameless glass doors up to 150 kg

Suitable for door widths up to 1500mm

KIT 1	Part No. 89-000.1201	Complete assembly for doors up to 950mm wide
KIT 2	Part No. 89-000.1202	Complete assembly for doors from 950mm to 1500mm wide

Single door fixed to glass



THE NFK Strong Sliding door can also be installed onto full glass surrounds or a combination of solid wall, glass side-lites & high-lites. The same track support is simply adapted for installation onto glass panels.

This hardware offers a heavy-weight expressed system which is renowned for its strength and stability. Engineered to slide heavy weight doors, STRONG guarantees years of trouble free service.

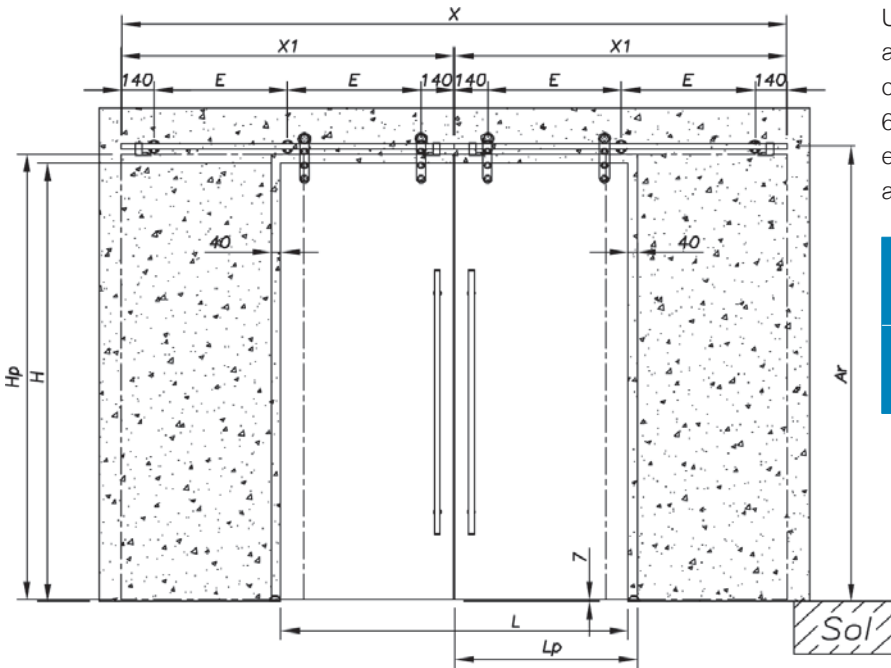
Connectors are available to fix the track to glass return panels and high-lites. Customised options are also available to suit one-off applications which can be designed and manufactured by NFK.

Suitable for door widths up to 1500mm

KIT 3	Part No. 89-000.1203	Complete assembly for doors up to 950mm wide
KIT 4	Part No. 89-000.1204	Complete assembly for doors from 950mm to 1500mm wide

H: Opening height, Hp: Glass height, L: Opening width, Lp: Glass Width X: Total track length, Ar: Track Height

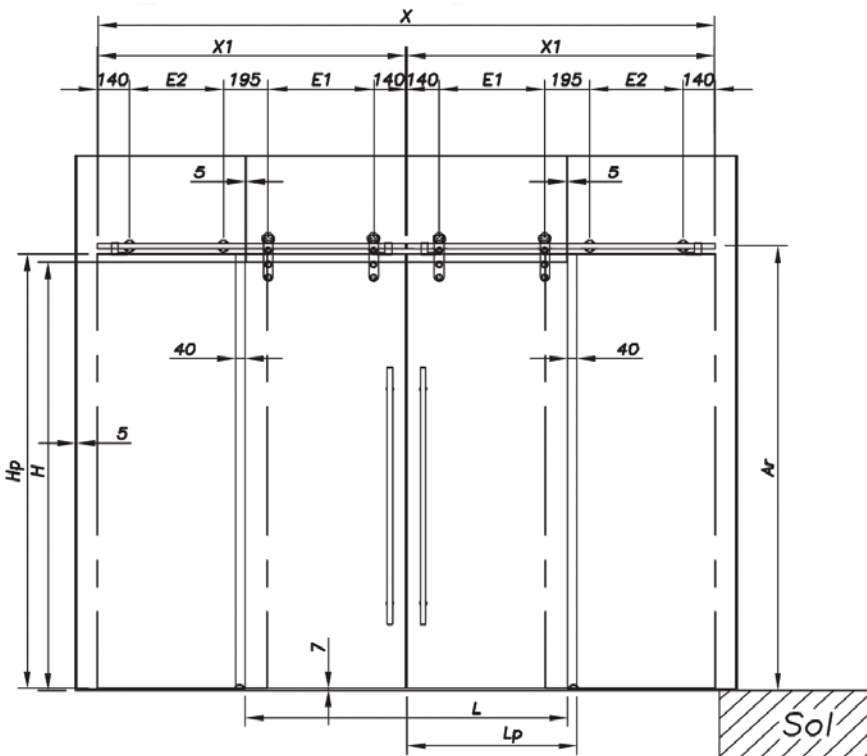
Double doors fixed to wall



Utilising the same hardware and principles as the single door system, Double doors can be installed to cover an opening up to 6000mm wide. Consultation with NFK will ensure door design is adequately supported at critical points.

KIT 5	Part No. 89-000.1205	Complete assembly for openings up to 1800mm wide
KIT 6	Part No. 89-000.1206	Complete assembly for openings from 1800mm to 3000mm wide

Double doors fixed to glass



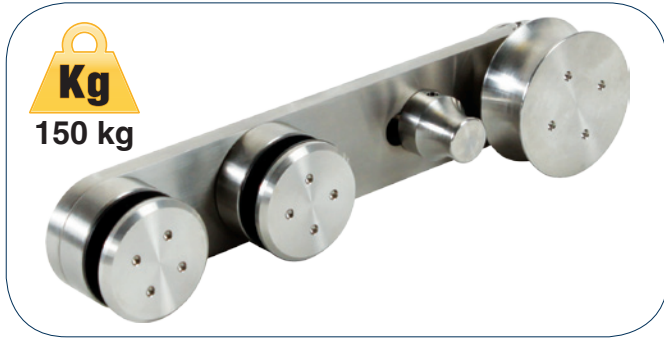
Double doors installed with NFK's Strong system, supported by a full glass surround, offers a totally transparent wall of glass incorporating door opening to a width of 6000mm.

Track can be hung from a combination of glass and solid walls, glass end return panels, or high-lite panels only.

Due to the wide range of installation options, please consult with NFK for specific ordering details.

KIT 7	Part No. 89-000.1207	Complete assembly for openings up to 1800mm wide
KIT 8	Part No. 89-000.1208	Complete assembly for openings 1800mm to 3000mm wide

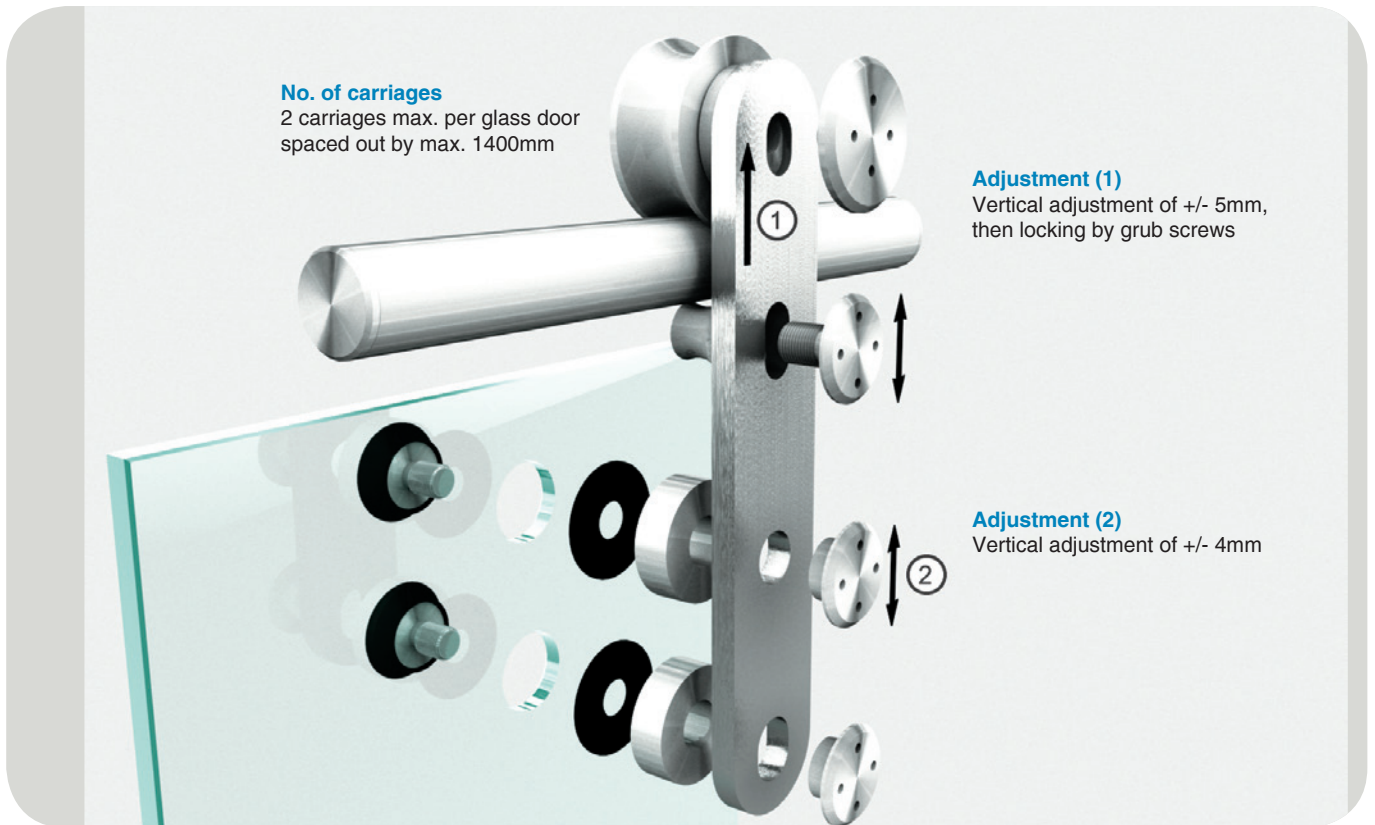
Strong sliding door carriage



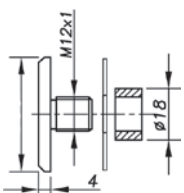
The roller carriages of NFK's three door systems all incorporate the same precision machined roller wheel and high quality bearings, offering long life, resistance free sliding motion for every installation. Engineered to slide heavy weight doors, STRONG guarantees years of trouble free service

This system offers 5mm of carriage height adjustment integrated anti-jump device under the track and glass door fixing options of either low profile caps or flush countersunk caps.

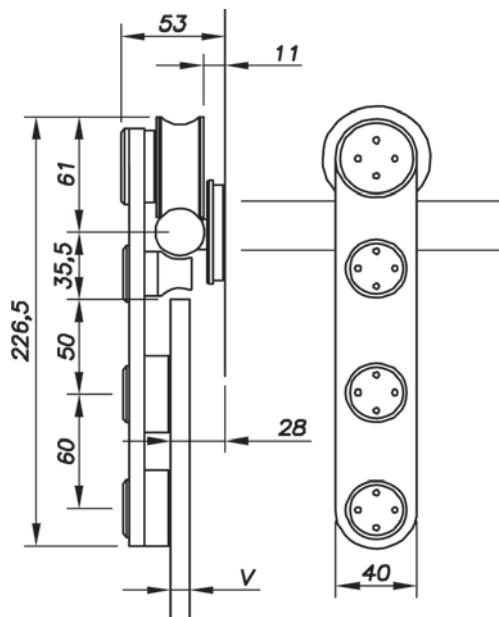
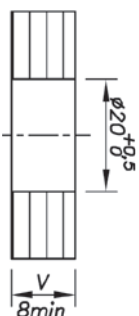
Glass thickness	Part Number
8 to 15mm	89-0005



Type of Screw



Glass Drilling



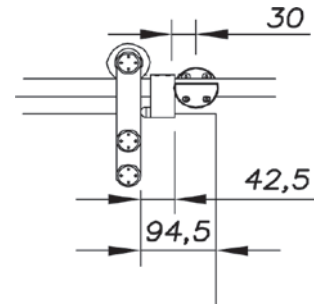
Door stops

Standard



Designed in keeping with the overall system, a small rubber bumper is used as a stop at both ends of the door track. Stops are available handed left or right. Stop position is simply adjusted via two small locking set screws. Upgrading to the hydraulic stop is recommended for heavy doors.

Description	Part Number
Left	89-0011L
Right	89-0011R

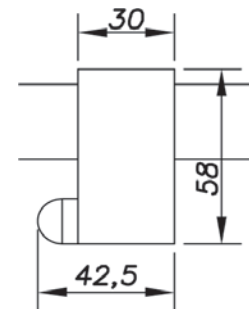


Adjustment (1)

Adjustment on track for closing position

Contact

The door stop is in contact with the sliding roller side and not with the glass

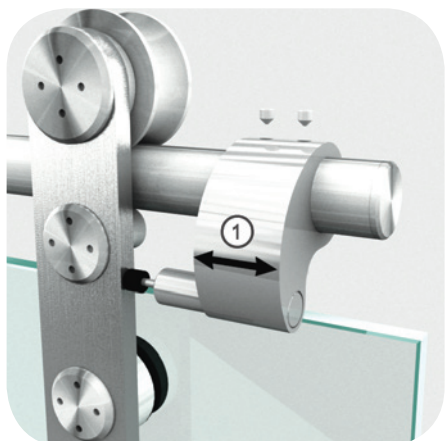
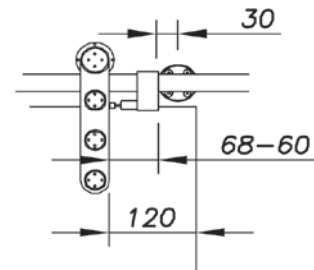


Hydraulic



An upgraded model of the Standard door stop. Incorporates a miniature hydraulic cylinder, to reduce impact of the glass door, when approaching the stop. Stop position is simply adjusted via two small locking set screws.

Description	Part Number
Left	89-0010L
Right	89-0010R



Adjustment (1)

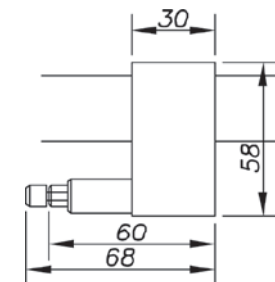
Adjustment on tube for closing position

Contact

The door stop is in contact with the carriage and not with the glass

Option

The Hydraulic stop may be replaced by a standard stop in the case of doors < 80kg



Track mount for glass installation

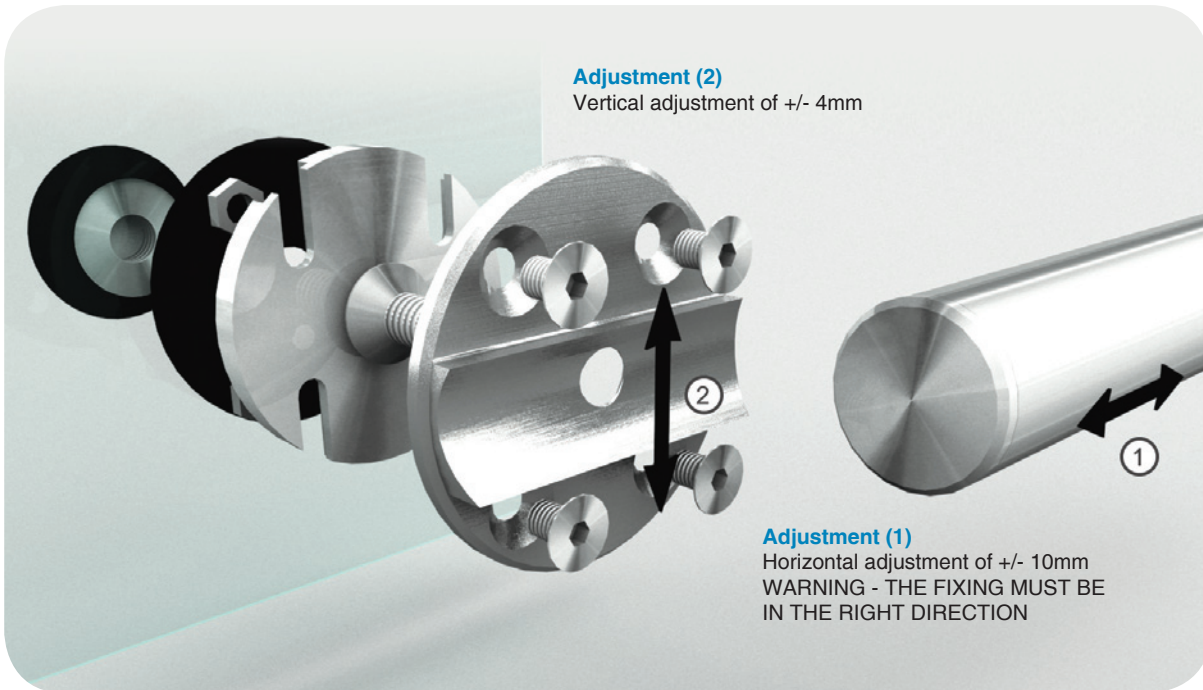


Connection between the track and mount is done by drilling the track and installing an insert, which allows for greater strength and adjustment when positioning track.

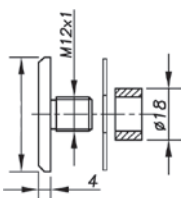
The mount can be attached to side-lite or high-lite glass panels. Creating a totally frameless floating track that is still easy to install. This highly engineered fitting can accommodate up to 4mm in vertical adjustment, allowing the door track to be levelled perfectly, and up to 10mm of horizontal adjustment.

Connection through fixed glass panels can be with either 40mm low profile caps or countersunk caps.

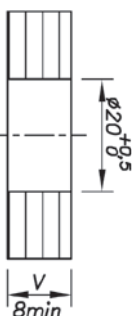
Description	Part Number
Track Mount for Glass	89-0009



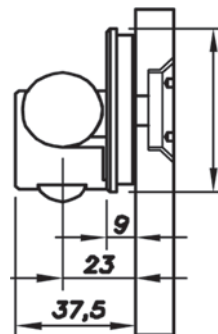
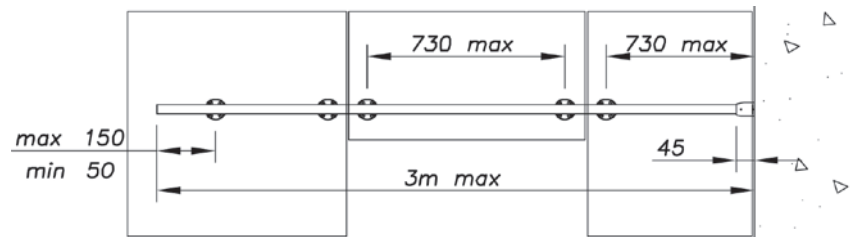
Type of Screw



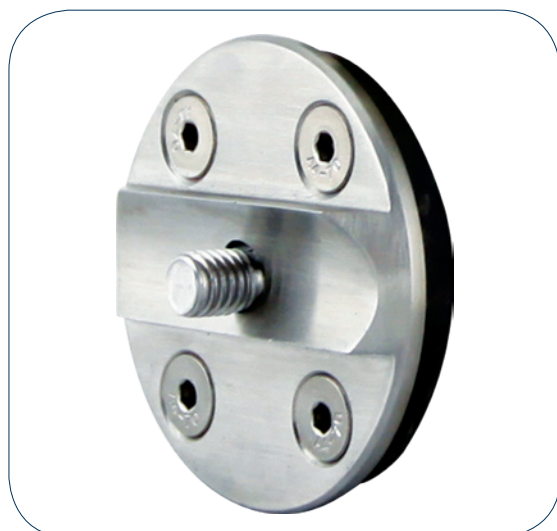
Glass Drilling



2 fixing points per glass panel



Track mount for wall installation



Connection between the track and mount is done by drilling the track and installing an insert, which allows for greater strength and adjustment when positioning track.

The wall mount can be attached to any substrate by simply changing the mechanical wall fixing.

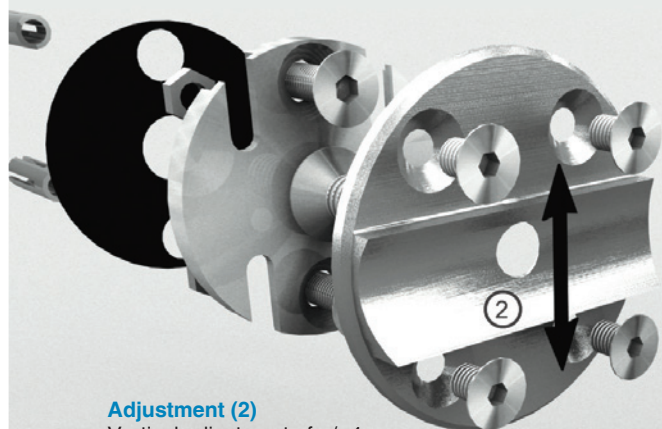
The low profile 25mm diameter door track is easy to install and can accommodate up to 4mm in vertical adjustment, allowing the door track to be levelled perfectly. Up to 10mm of horizontal adjustment is possible.

Description	Part Number
Track Mount for Glass	89-0008

Screws (wall)

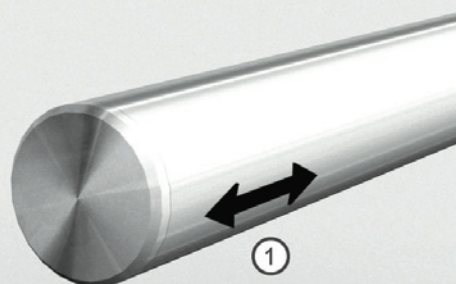
Anchor to be defined according to the nature of the wall. Not supplied by NFK.

Possibility of fitting by 1 or 2 fixing screws depending on the nature of the support. **WARNING –THE FIXING MUST BE IN THE RIGHT DIRECTION!**



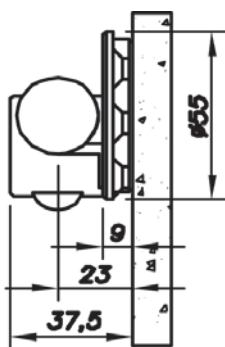
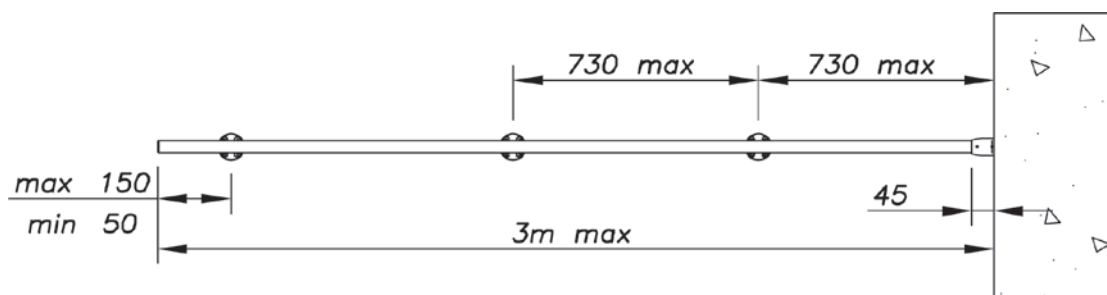
Adjustment (2)

Vertical adjustment of +/- 4mm



Adjustment (1)

Horizontal adjustment of +/- 10mm



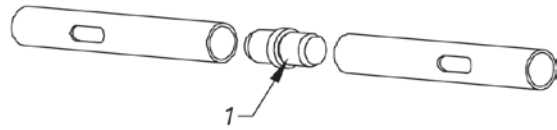
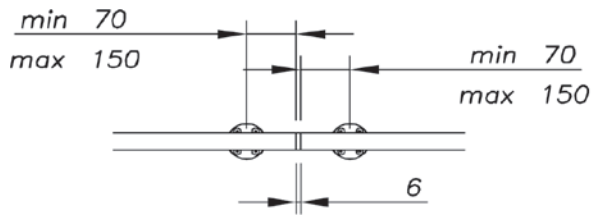
Track



As with all other components the 25mm diameter track is produced in 316 stainless steel. Tight manufacturing tolerances assure the carriages will always run perfectly on the track.



- Description**
- (1) Cap
 - (2) Fixing body
 - (3) Tube 25ø (max. 3)



- Description**
- (1) Rod Connectors

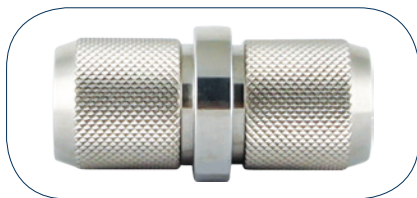
End caps



Description	Part Number
End Caps	89-0016.01

Tap in end caps finish off track and are designed specifically to suit NFK's 25mm track.

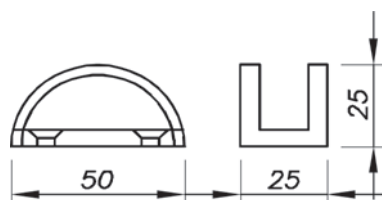
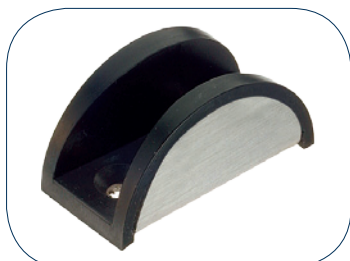
Rod connectors



Description	Part Number
Rod Connectors	89-0016.01

Used to join track for double or wide width doors. Again, specifically to suit NFK's 25mm track.

Floor guide



Available to suit 10 or 12mm thick glass. One guide is adequate to hold a single door inline.

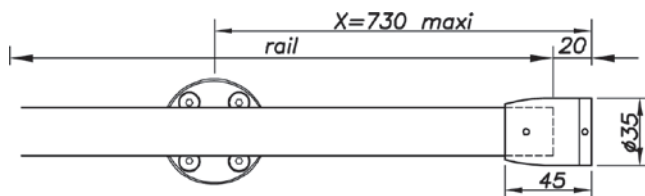
Description	Part Number
Floor Guide	89-0015

Track end fitting for wall



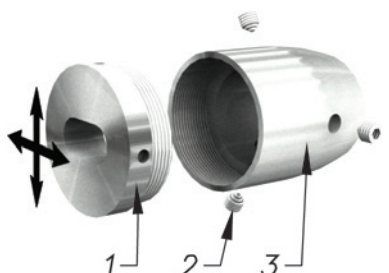
Designed to fix tracks off to a return wall, the fitting is adjustable by 5mm. Assembly and track installation is made easy by the two part configuration of the fitting. Track is locked into position with three small set screws.

Description	Part Number
End Track Fitting for Wall	89-0014



Adjustment

Horizontal / vertical adjustment of +/- 5mm



Description

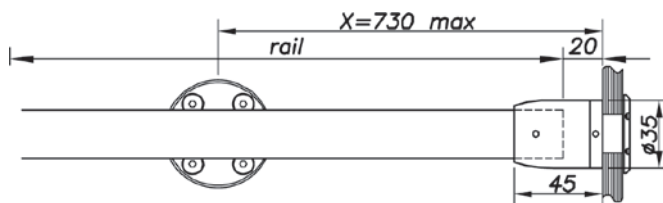
- (1) Wall support
- (2) Tightening screw
- (3) Body

Track end fitting for glass

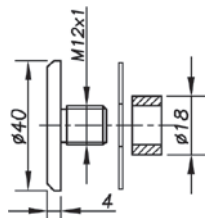


Designed to fix tracks off to a glass return panel up to 12mm thick. Options for thicker glass are possible on request. The fitting is adjustable by 5mm and comes complete with a 40mm diameter low profile cap.

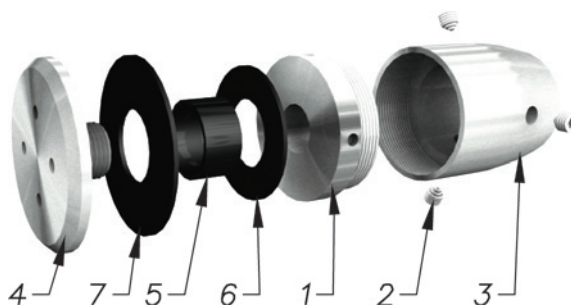
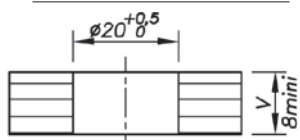
Glass Thickness	Part Number
8 to 15mm	89-0013



Type of Screw



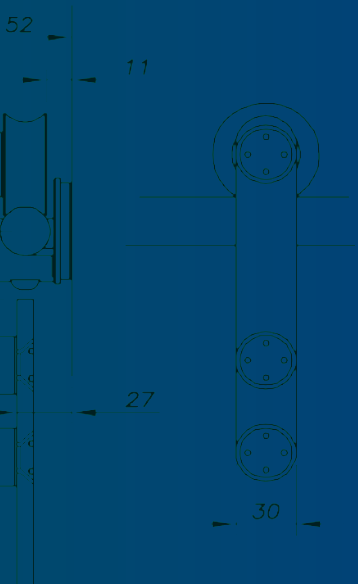
Glass Drilling



Description

- (1) Glass support
- (2) Tightening screw
- (3) Body
- (4) Screws for glass
- (5) Ring
- (6) Washer
- (7) Washer

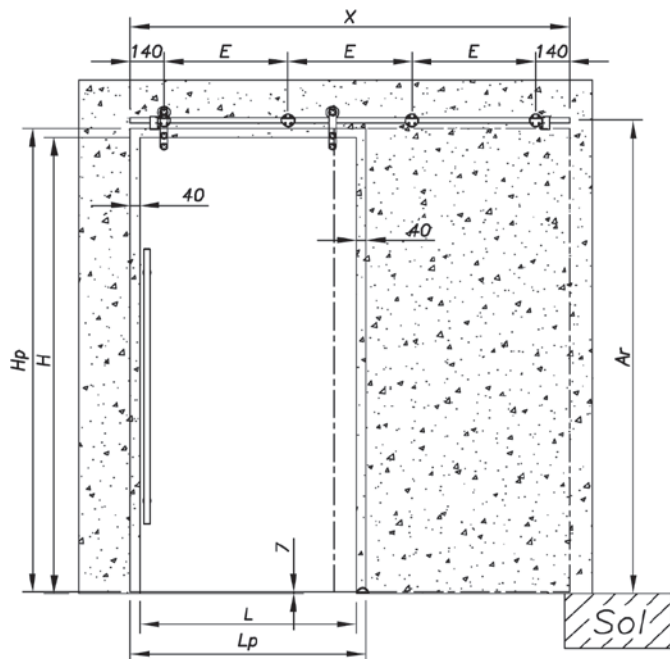




SLIDING DOORS MEDIUM

SADEVdecor

Single door fixed to wall



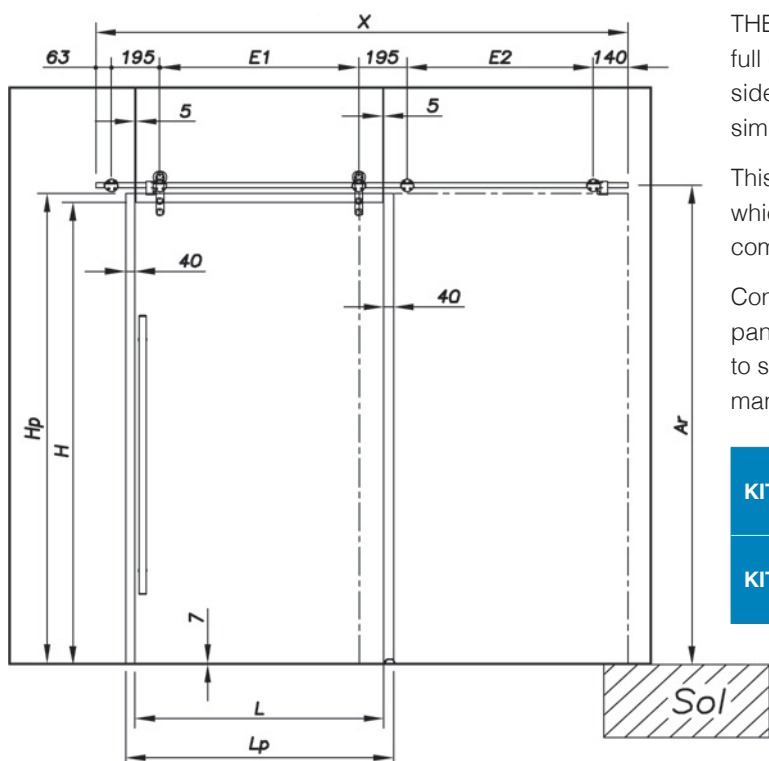
A common installation style for the NFK Medium Sliding Door. Simple installation of the adjustable track clamps and track across the top of an opening produces a clean, modern and functional door.

Quality components, minimal sliding resistance and vibration free operation are attributes synonymous with the Complete NFK Sliding Door range.

Capable of carrying frameless glass doors up to 80 kg

KIT 1	Part No. 89-000.1301	Complete assembly for doors up to 950mm wide
KIT 2	Part No. 89-000.1302	Complete assembly for doors from 950mm to 1500mm wide

Single door with side-lites & high lite glass



THE NFK Medium Sliding door can also be installed onto full glass surrounds or a combination of solid wall, glass side-lites & high-lites. The same adjustable track support is simply adapted for installation onto glass panels.

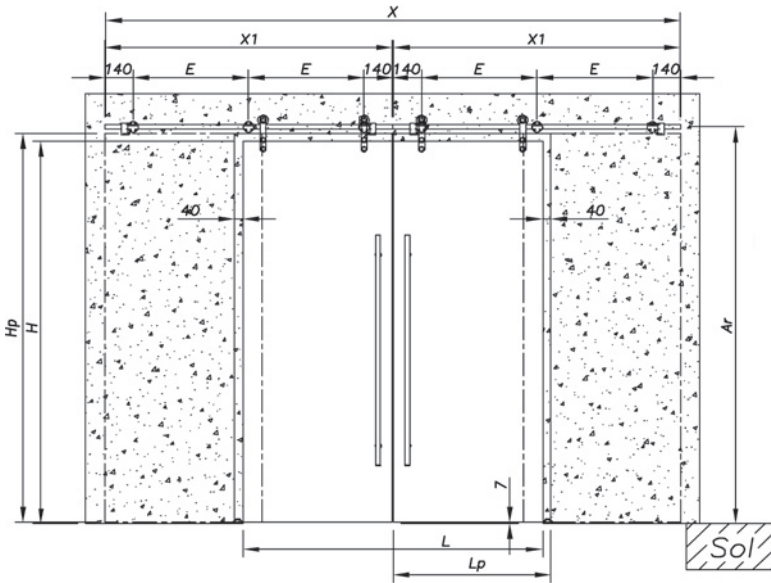
This hardware offers a mid-weight expressed system which is renowned for its fast and easy installation without compromising on quality.

Connectors are available to fix the track to glass return panels and high-lites. Customised options are also available to suit one-off applications which can be designed and manufactured by NFK.

KIT 3	Part No. 89-000.1303	Complete assembly for doors up to 950mm wide
KIT 4	Part No. 89-000.1304	Complete assembly for doors from 950mm to 1500mm wide

H: Opening height, Hp: Glass height, L: Opening width, Lp: Glass Width X: Total track length, Ar: Track Height

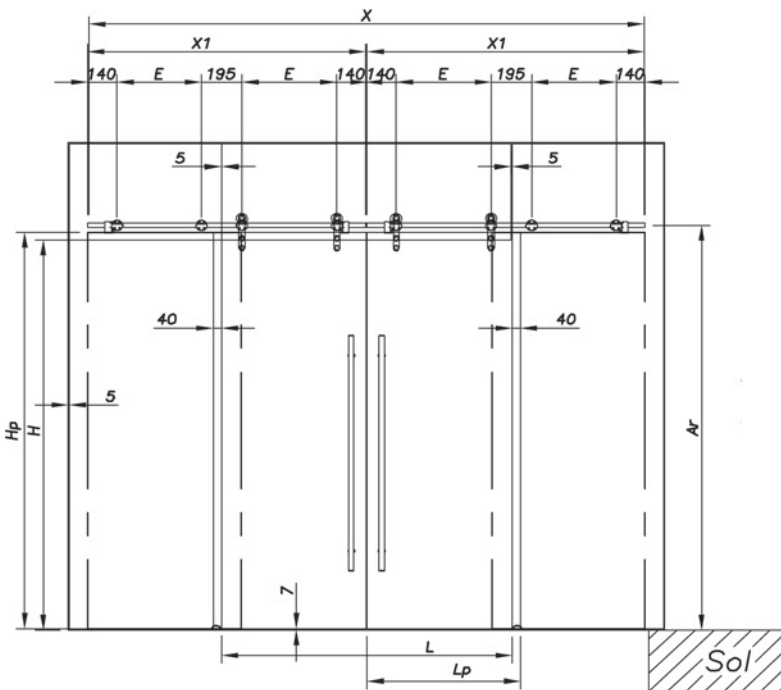
Double door fixed to wall



Utilising the same hardware and principles as the single door system, Double doors can be installed to cover an opening up to 3000mm wide. Consultation with NFK will ensure door design is adequately supported at critical points.

KIT 5	Part No. 89-000.1305	Complete assembly for openings up to 1800mm wide
KIT 6	Part No. 89-000.1306	Complete assembly for openings from 1800mm to 3000mm wide

Double door fixed to glass



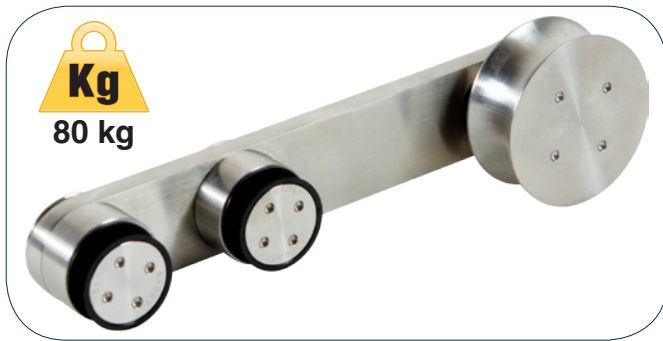
Double doors installed with NFK's Medium system, supported by a full glass surround, offers a totally transparent wall of glass incorporating door opening to a width of 3000mm.

Track can be hung from a combination of glass and solid walls, glass end return panels, or high-lite panels only.

Due to the wide range of installation options, please consult with NFK for specific ordering details.

KIT 7	Part No. 89-000.1307	Complete assembly for openings up to 1800mm wide
KIT 8	Part No. 89-000.1308	Complete assembly for openings 1800mm to 3000mm wide

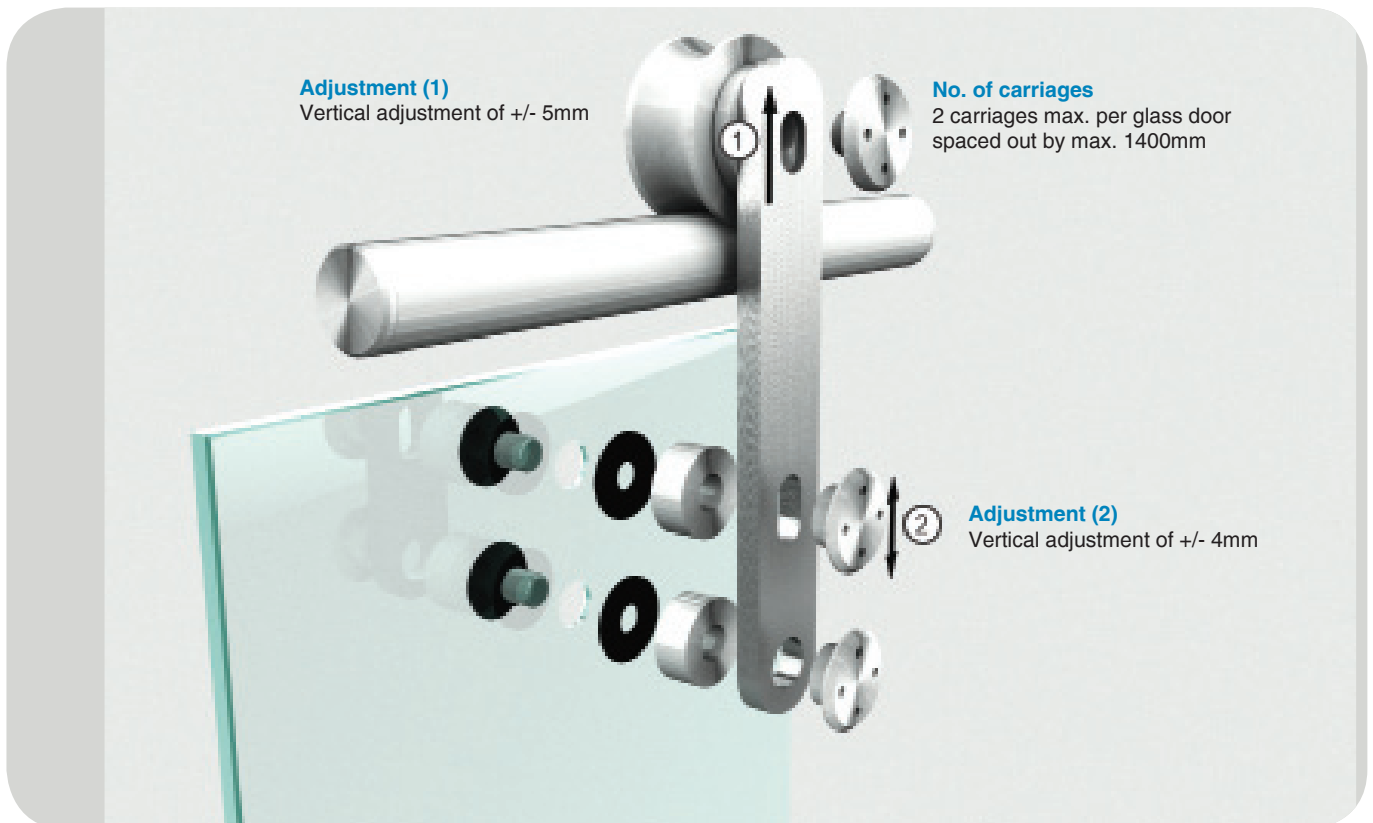
Medium sliding door carriage



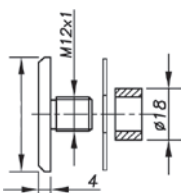
The roller carriages of NFK's three door systems all incorporate the same precision machined roller wheel and high quality bearings, offering long life, resistance free sliding motion for every installation.

The Medium system offers 5mm of carriage height adjustment and glass door fixing options of either low profile caps or flush countersunk caps.

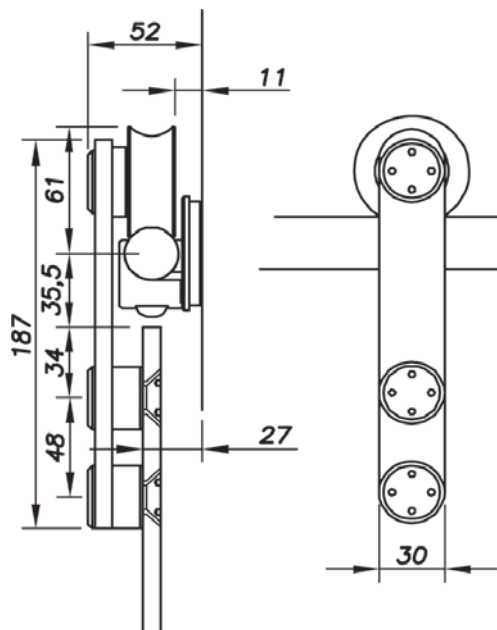
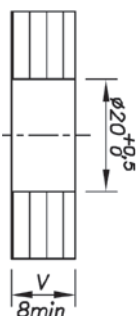
Glass Thickness	Part Number
8 to 12mm	89-0004



Type of Screw



Glass Drilling



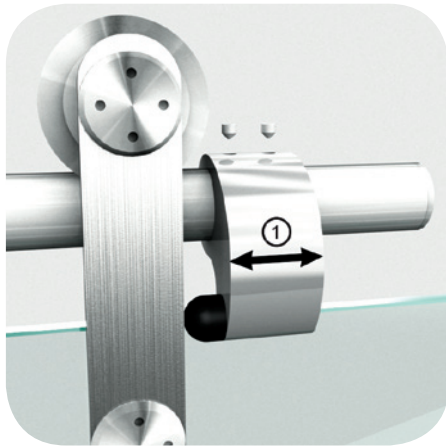
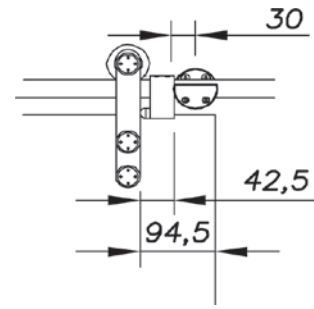
Door stops

Standard



Designed in keeping with the overall system, a small rubber bumper is used as a stop at both ends of the door track. Stops are available handed left or right. Stop position is simply adjusted via two small locking set screws.

Description	Part Number
Left	89-0011L
Right	89-0011R

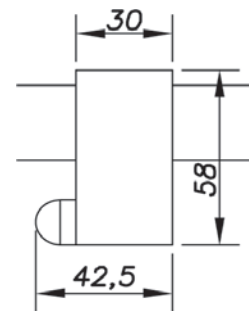


Adjustment (1)

Adjustment on track for closing position

Contact

The door stop is in contact with the carriage and not with the glass

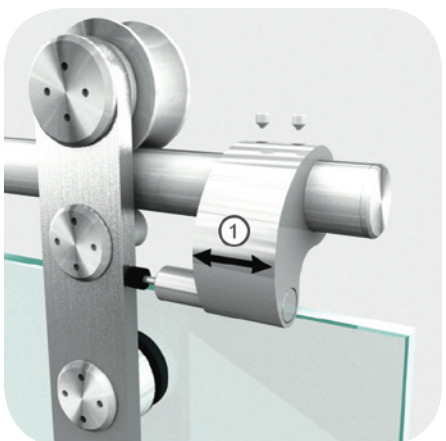
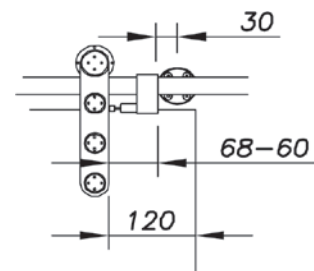


Hydraulic



An upgraded model of the Standard door stop. Incorporating a miniature hydraulic cylinder to reduce impact of the glass door, when approaching the stop. Stop position is simply adjusted via two small locking set screws.

Description	Part Number
Left	89-0010L
Right	89-0010R



Adjustment (1)

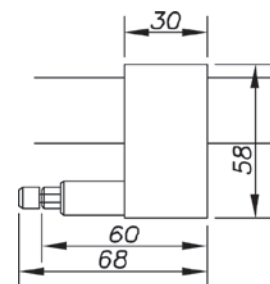
Adjustment on tube for closing position

Contact

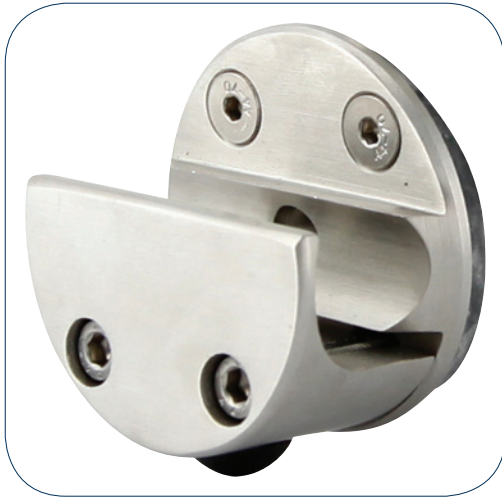
The door stop is in contact with the carriage and not with the glass

Option

The Hydraulic stop may be replaced by a standard stop in the case of doors < 80kg



Track mount for glass installation

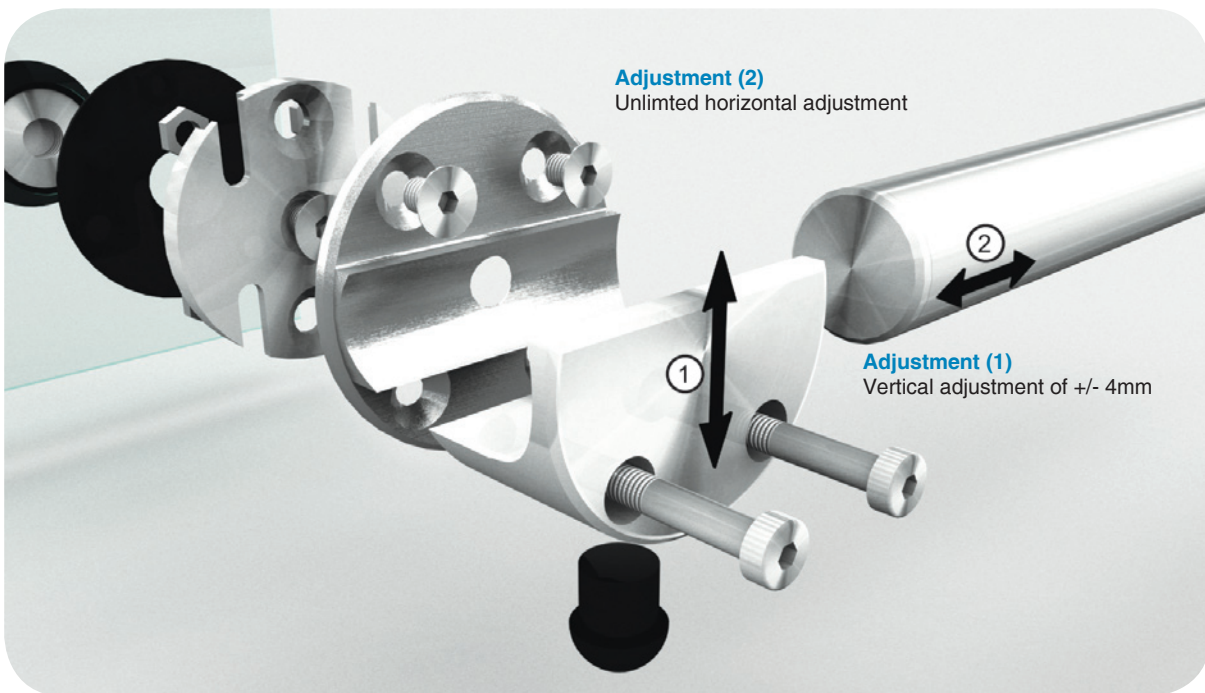


Unique to the Medium system is a mounting bracket that simply clamps onto the track, reducing and simplifying installation dramatically.

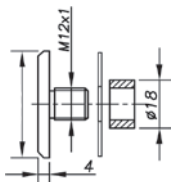
The mount can be attached to side-lite or high-lite glass panels. Creating a totally frameless floating track that is still easy to install. This highly engineered fitting can accommodate up to 4mm in vertical adjustment, allowing the door track to be levelled perfectly, and up to 10mm of vertical adjustment.

Connection through fixed glass panels can be with either 40mm low profile caps or countersunk caps.

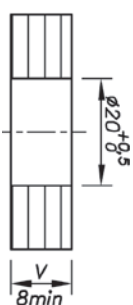
Description	Part Number
Track Mount for Glass	89-0007



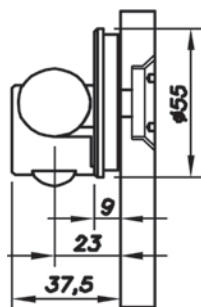
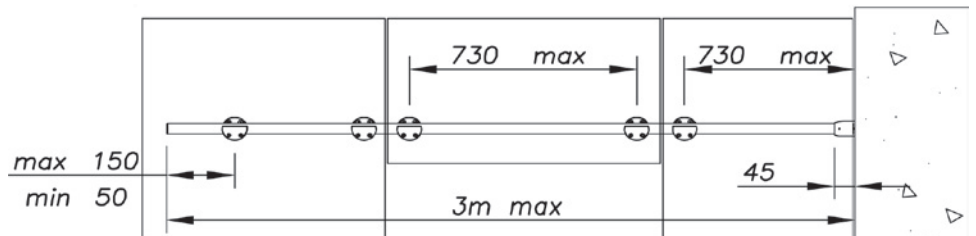
Type of Screw



Glass Drilling



2 points fixing per glass panel



Track mount for wall installation

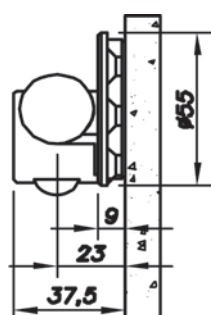
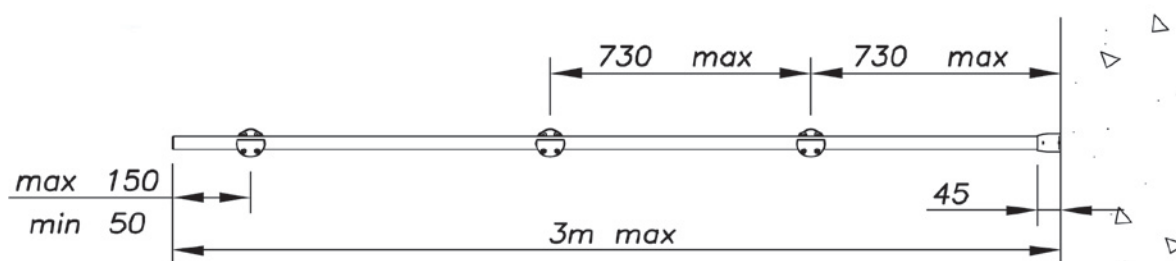
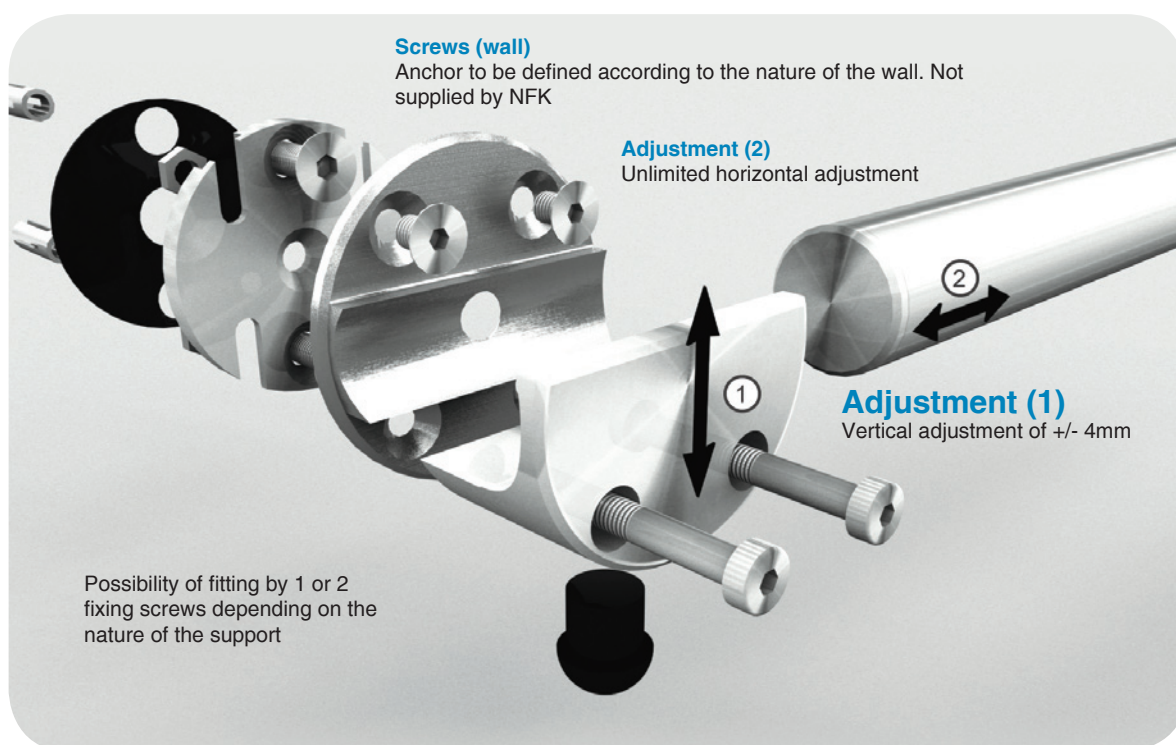


Unique to the Medium system is a mounting bracket that simply clamps onto the track, reducing and simplifying installation dramatically.

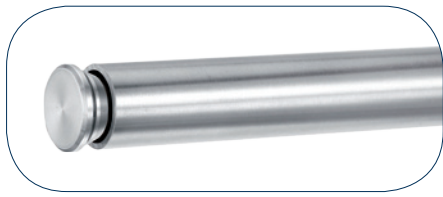
The wall mount can be attached to any substrate by simply changing the mechanical wall fixing.

The low profile 25mm diameter door track is easy to install and can accommodate up to 4mm in vertical adjustment, allowing the door track to be levelled perfectly. Up to 10mm of vertical adjustment is possible.

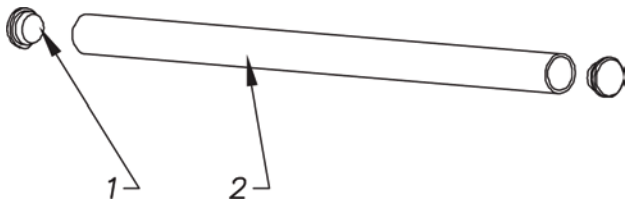
Description	Part Number
Track Mount for Glass	89-0006



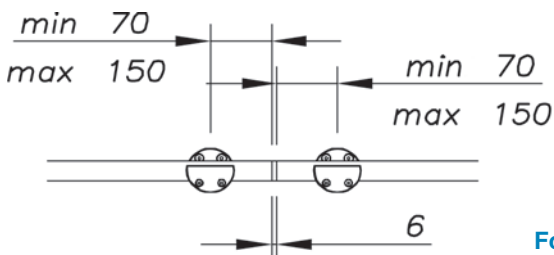
Track



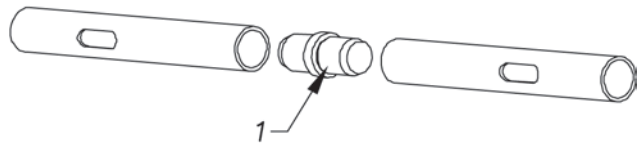
As with all other components the 25mm diameter track is produced in 316 stainless steel. Tight manufacturing tolerances assure the carriages will always run perfectly on the track.



Description
 (1) Cap
 (2) Track 25 ϕ (max.3)



For track > 3 metres



Description
 (1) Rod Connectors

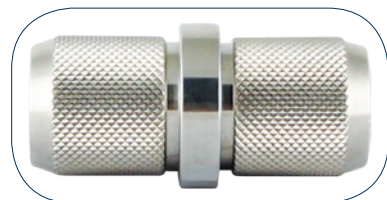
End caps



Description	Part Number
End Caps	89-0016.01

Tap in end caps finish off track and are designed specifically to suit NFK's 25mm track.

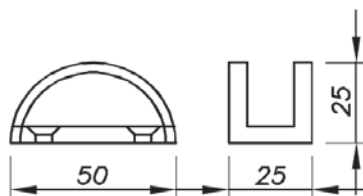
Rod connectors



Description	Part Number
Rod Connectors	89-0016.01

Used to join track for double or wide width doors. Again, specifically to suit NFK's 25mm track.

Floor guide



Available to suit 10 or 12mm thick glass. One guide is adequate to hold a single door inline.

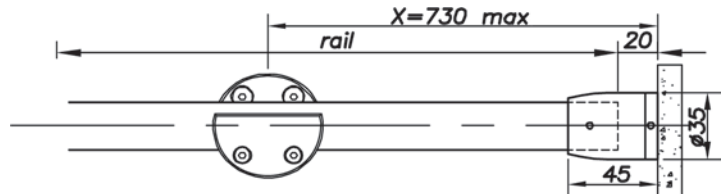
Description	Part Number
Floor Guide	89-0015

Track end fitting for wall



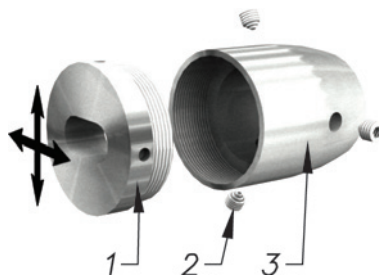
Designed to fix tracks off to a return wall, the fitting is adjustable by 5mm. Assembly and track installation is made easy by the two part configuration of the fitting. Track is locked into position with three small set screws.

Description	Part Number
Track End Fitting for Wall	89-0014



Adjustment (1)

Horizontal / vertical adjustment of +/- 5mm



Description

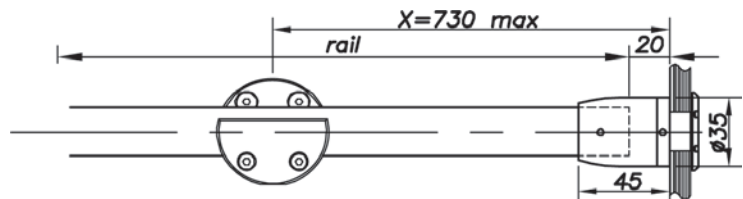
- (1) Wall support
- (2) Tightening screw
- (3) Body

Track end fitting for glass



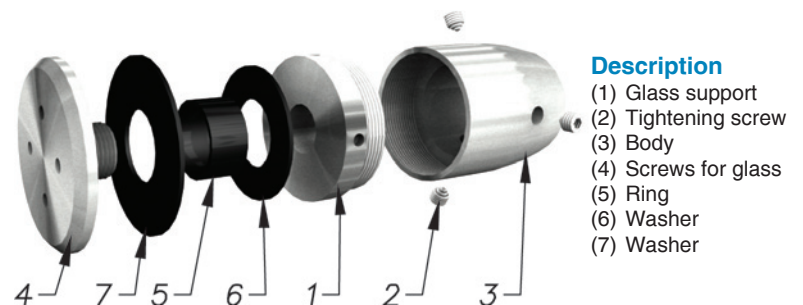
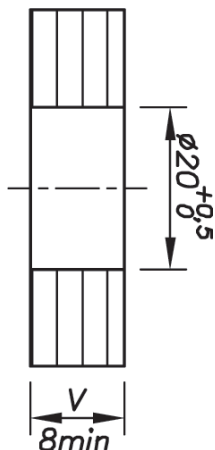
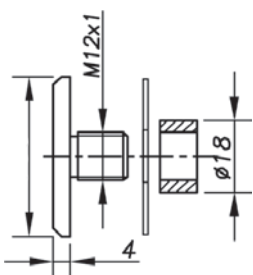
Designed to fix tracks off to a glass return panel up to 12mm thick. Options for thicker glass are possible on request. The fitting is adjustable by 5mm and comes complete with a 40mm diameter low profile cap. Assembly and track installation is made easy by the two part configuration of the fitting. Track is locked into position with three small set screws.

Glass Thickness	Part Number
8 to 12mm	89-0013



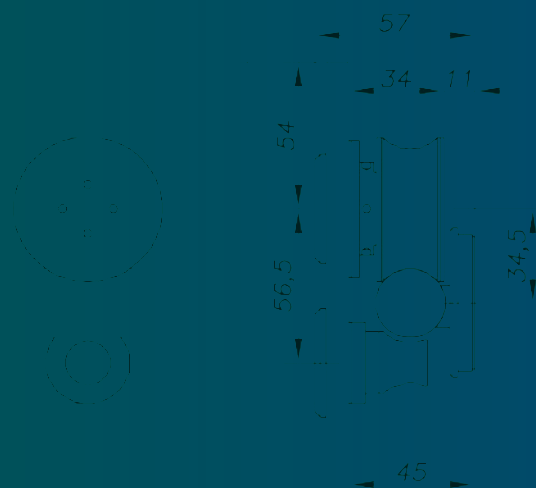
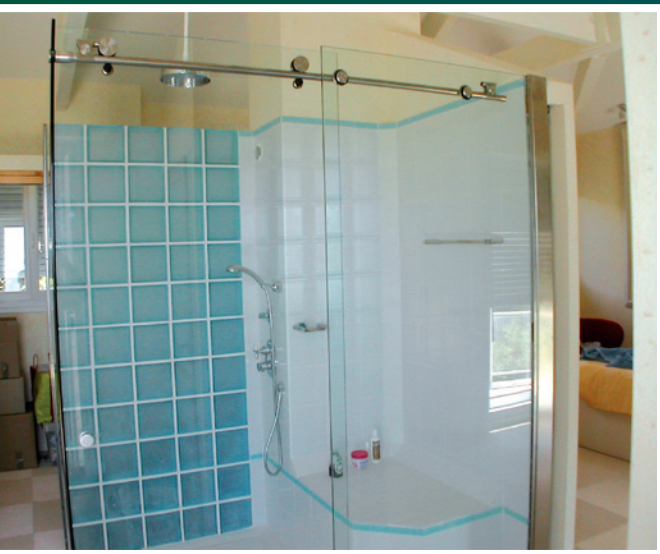
Type of Screw

Glass Drilling



Description

- (1) Glass support
- (2) Tightening screw
- (3) Body
- (4) Screws for glass
- (5) Ring
- (6) Washer
- (7) Washer

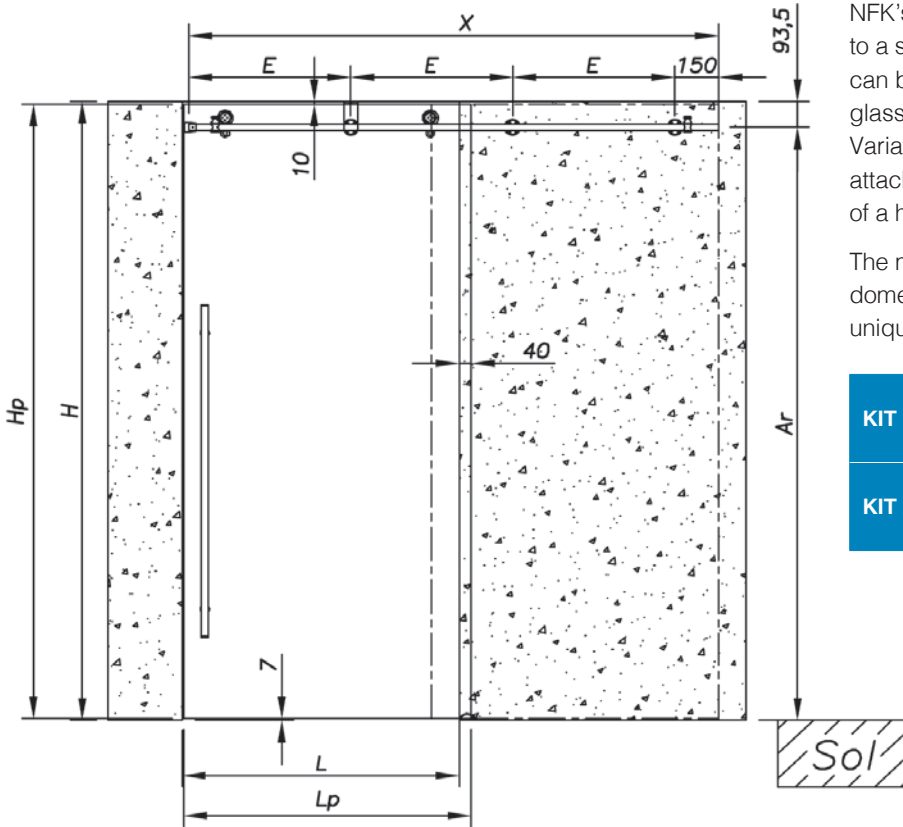




SLIDING DOORS DIRECT ROLLER

SADEVdecor

Single door fixed to wall

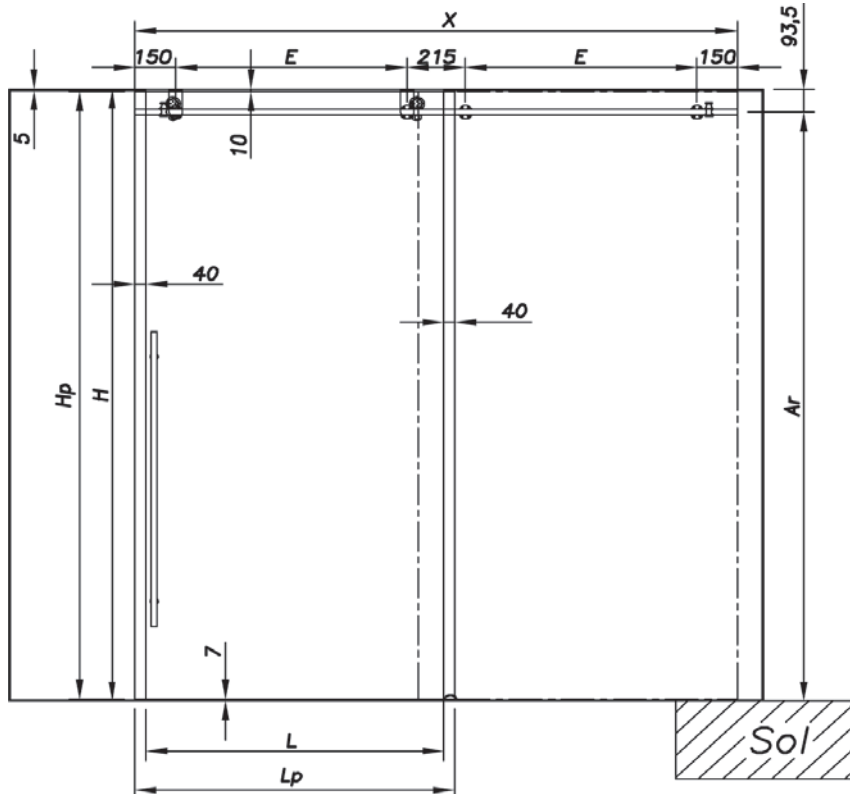


NFK's Direct Sliding Door system, for installation to a solid wall. Height adjustable track supports can be quickly mounted to a wall allowing the glass to pass on the outside of an opening. Variations of this fixing method include attachment to a right angle end wall or inclusion of a high-lite glass panel above the door.

The minimalist hardware style is suitable for both domestic and commercial applications where a unique, quality product is required.

KIT 1	Part No. 89-000.1101	Complete assembly for doors up to 1500mm wide
KIT 2	Part No. 89-000.1102	Complete assembly for doors from 1500mm to 2500mm wide

Single door with side-lites & high lite glass



THE NFK Direct Sliding door can also be installed onto full glass surrounds or a combination of solid wall, glass side-lites & high-lites. The same adjustable track support is simply adapted for installation onto glass panels.

With this in mind, The NFK Direct Sliding Door system offers one of the most minimalist hardware options for top hung frameless glass doors.

Connectors are available to fix the track to glass return panels and high-lites. Customised options are also available to suit one-off applications which can be designed and manufactured by NFK.

KIT 3	Part No. 89-000.1103	Complete assembly for doors up to 1500mm wide
KIT 4	Part No. 89-000.1104	Complete assembly for doors from 1500mm to 2500mm wide

H: Opening height, Hp: Glass height, L: Opening width, Lp: Glass Width X: Total track length, Ar: Track Height

Direct Slider Roller

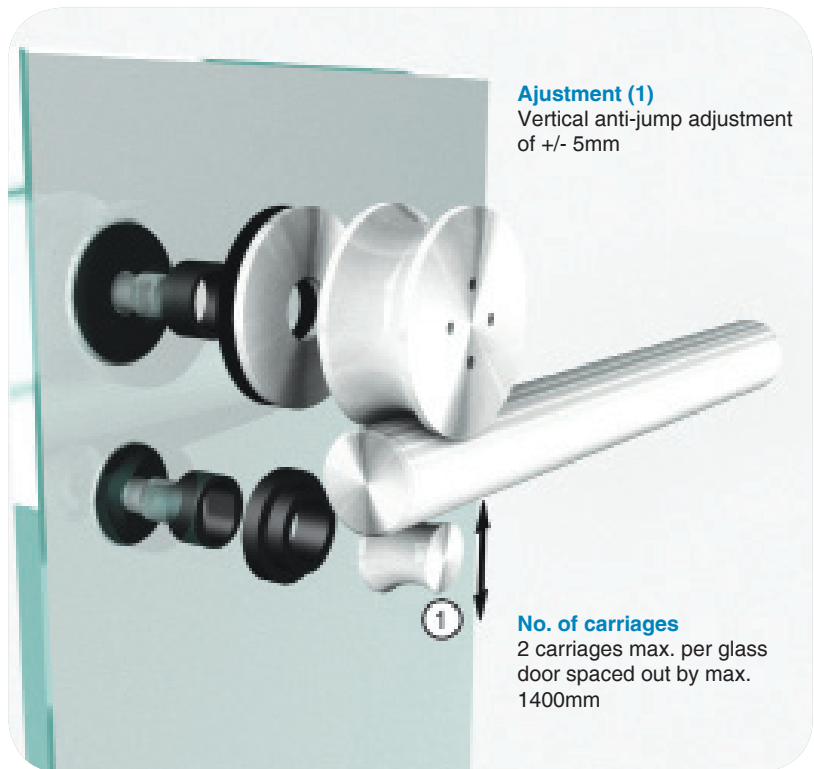


Kg
80 kg

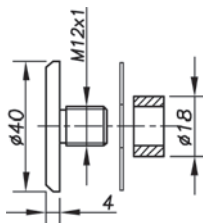
At the heart of the Direct Sliding Door system is the unique roller carriage. Manufactured from high grade 316 stainless steel and incorporating precision roller bearings, thus creating a vibration free and effortless rolling motion of the carriage.

Accompanied by the small guide under the track, the door can not jump or be pushed off the track.

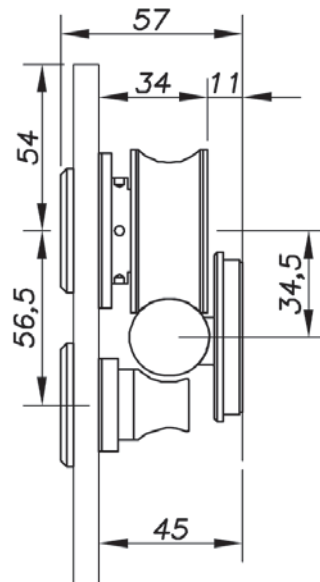
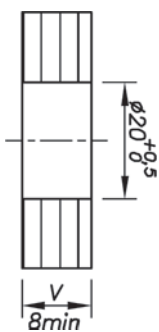
Description	Part Number
Slider Roller	89-0003



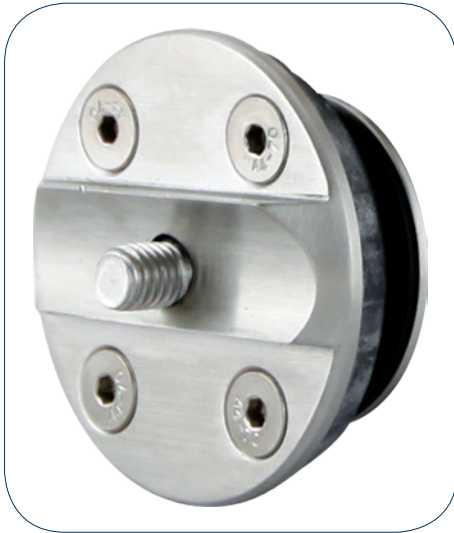
Type of Screw



Glass Drilling



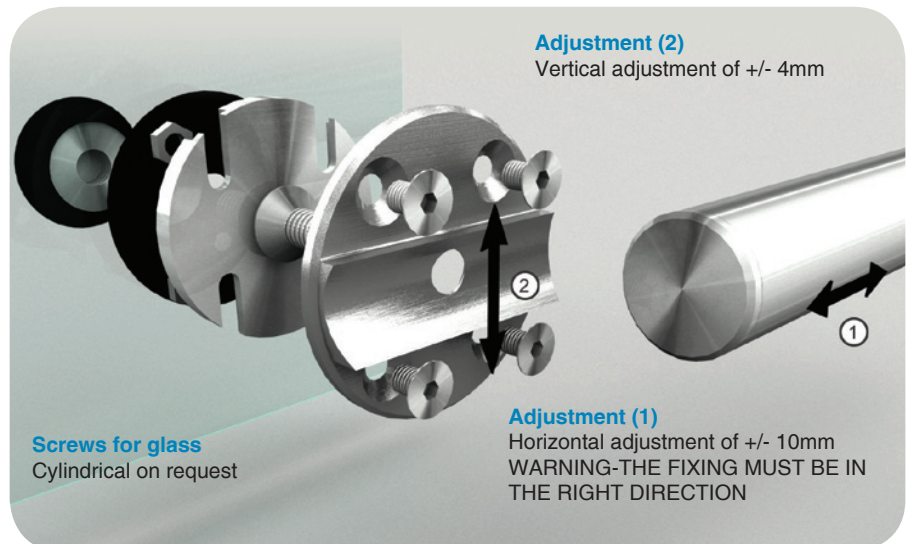
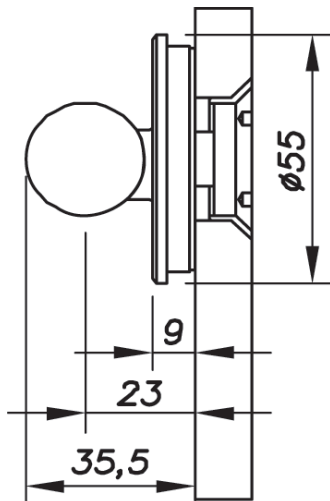
Track mount for glass installation



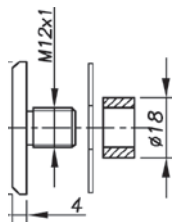
The mount can be attached to side-lite or high-lite glass panels. Creating a totally frameless floating track that is still easy to install. This highly engineered fitting can accommodate up to 4mm in vertical adjustment, allowing the door track to be levelled perfectly, and up to 10mm of vertical adjustment.

Connection through fixed glass panels can be with either 40mm low profile caps or countersunk caps.

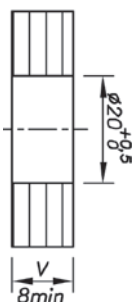
Description	Part Number
Track Mount for Glass	89-0009



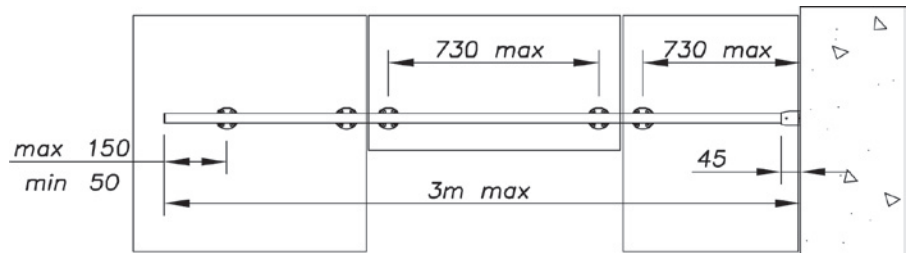
Type of Screw



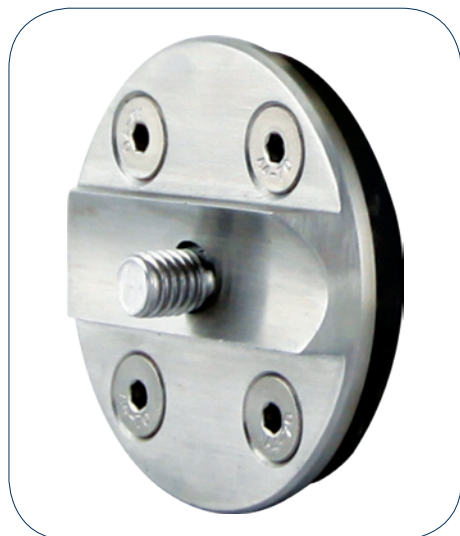
Glass Drilling



2 fixing points per glass panel



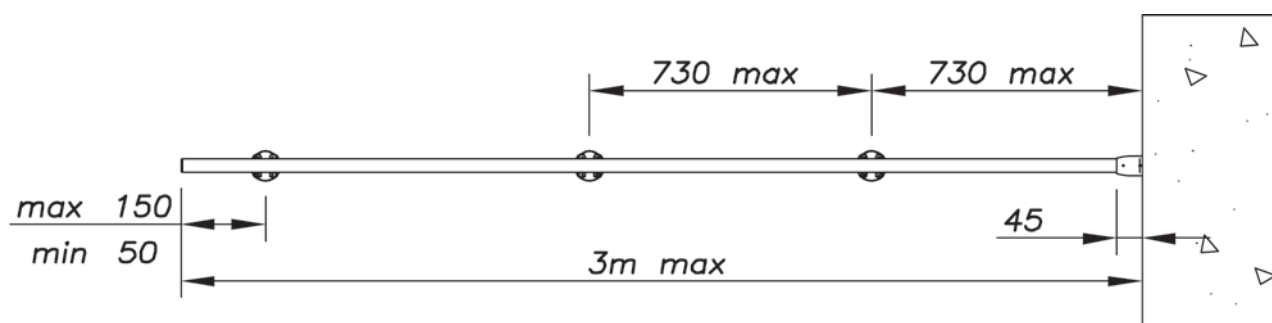
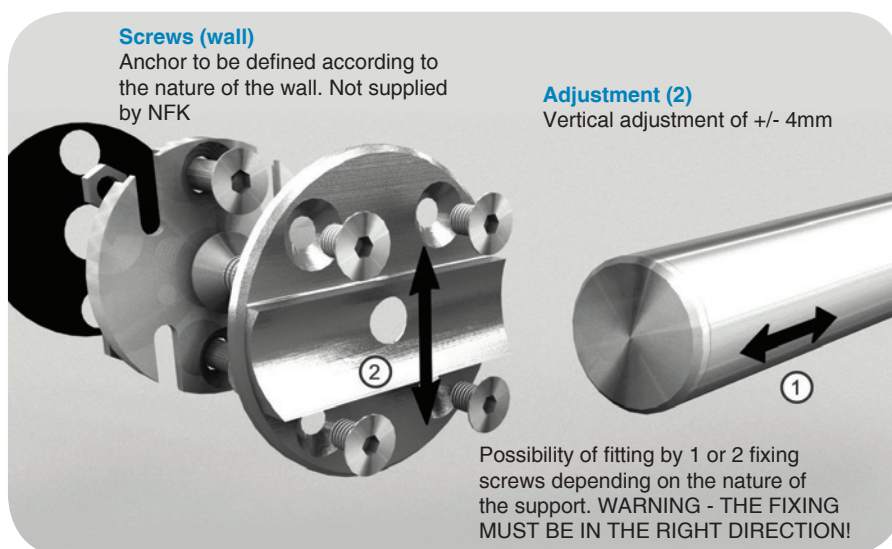
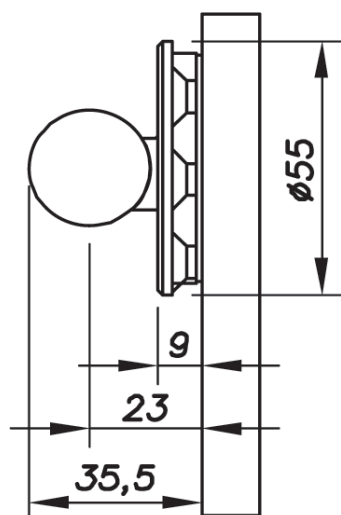
Track mount for wall installation



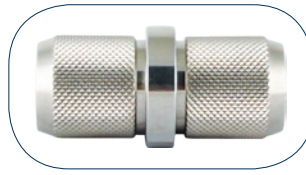
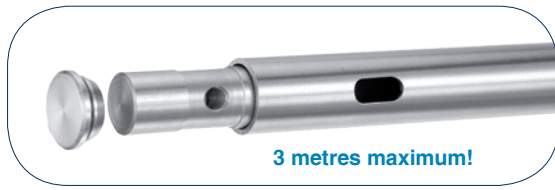
The wall mount can be attached to any substrate by simply changing the mechanical wall fixing.

The low profile 25mm diameter door track is easy to install and can accommodate up to 4mm in vertical adjustment, allowing the door track to be levelled perfectly. Up to 10mm of vertical adjustment is possible.

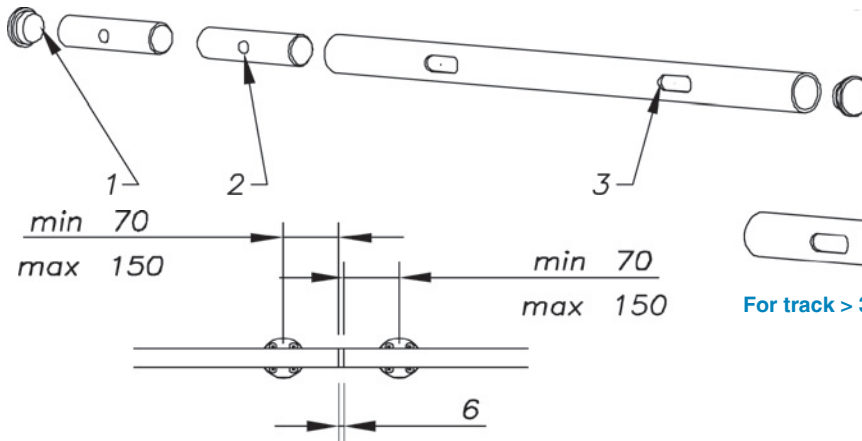
Description	Part Number
Track Mount for Wall	89-0008



Track

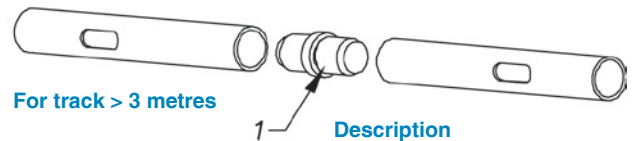


Description	Part Number
End Cap	89-0016.01
Rod Connector	89-0016



Description

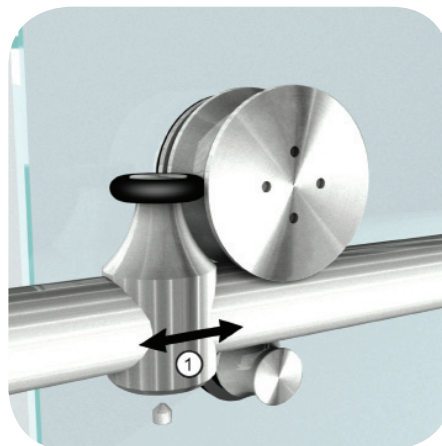
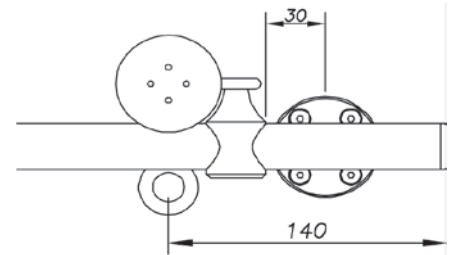
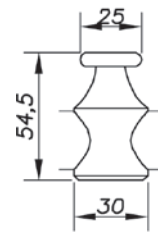
- (1) Cap
- (2) Fixing body
- (3) Tube 25ø (max.3m)



Description

- (1) Rod Connector

Door stop



Description	Part Number
Door Stop	89-0012

Door Stop

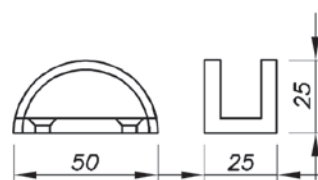
The door stop is in contact with the slider roller and not with the glass

Adjustment (1)

Adjustment on tube for closing position

Designed to suit the Direct roller, this door stop is simple to adjust by sliding into position and locking off with a set screw to secure in place. The rubber bumper avoids banging doors and is in keeping with the overall design of the System.

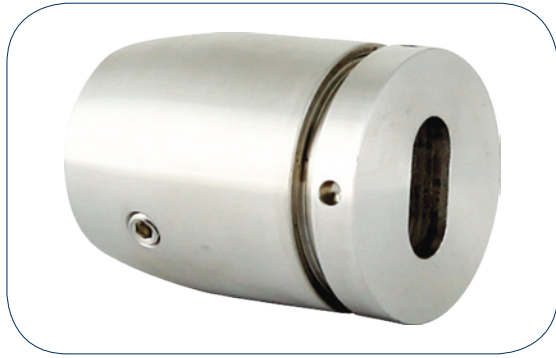
Floor guide



Available to suit 10 or 12mm thick glass. One guide is adequate to hold a single door inline.

Description	Part Number
Floor Guide	89-0015

Track end fitting for wall

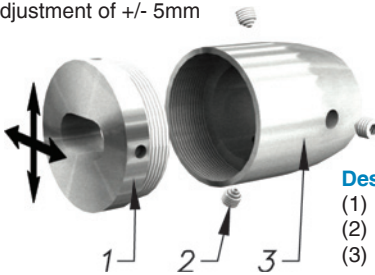


Designed to fix tracks off to a return wall, the fitting is adjustable by 5mm. Assembly and track installation is made easy by the two part configuration of the fitting. Track is locked into position with three small set screws.

Description	Part Number
Track End Fitting for Wall	89-0014

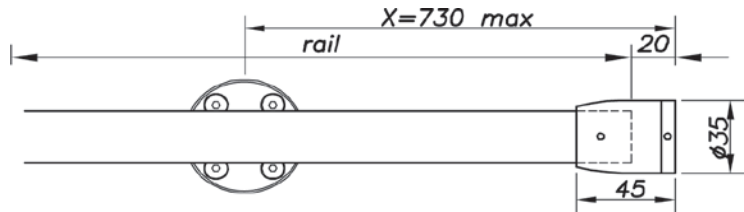
Adjustment

Horizontal / vertical adjustment of +/- 5mm



Description

- (1) Wall Support
- (2) Tightening screw
- (3) Body



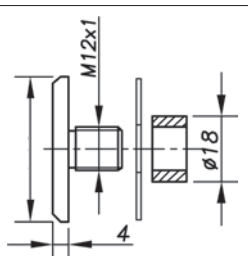
Track end fitting for glass



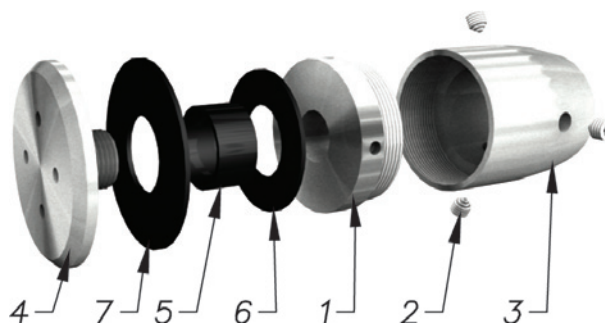
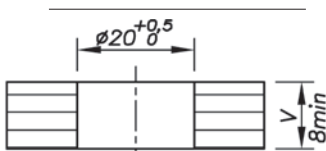
Designed to fix tracks off to a glass return panel up to 12mm thick. Options for thicker glass are possible on request. The fitting is adjustable by 5mm and comes complete with a 40mm diameter low profile cap. Assembly and track installation is made easy by the two part configuration of the fitting. Track is locked into position with three small set screws.

Glass Thickness	Part Number
8 to 12mm	89-0013

Type of Screw

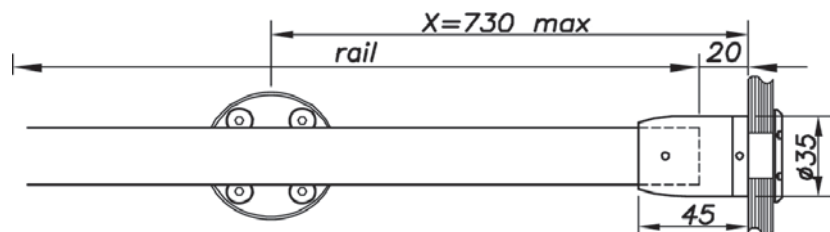


Glass Drilling



Description

- (1) Glass support
- (2) Tightening screw
- (3) Body
- (4) Screws for glass
- (5) Ring
- (6) Washer
- (7) Washer





NFK GLAZING & INDUSTRIAL SUPPLIES P/L

28 Devlan Street, Mansfield Qld 4122 Australia
PO Box 2091, Mansfield BC Qld 4122 Australia

Phone: (07) 3343 3377

Fax: (07) 3343 6877

Toll Free: 1800 064 596

Email: sales@nfk.com.au

www.nfk.com.au

