

Contents

SADEV 25° SHORT

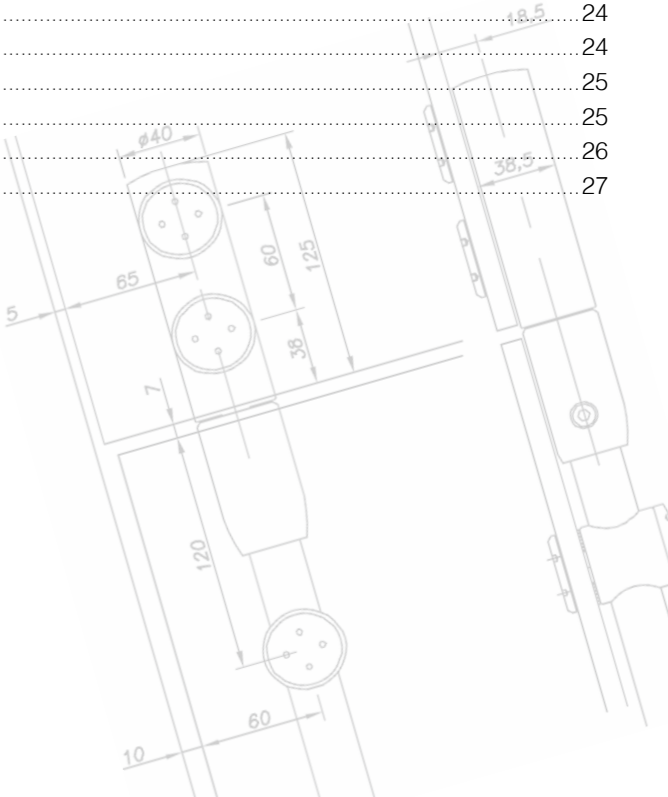
- Door Configurations 4
- Pivot 25° short rod 6
- Direct top pivot for transom panel 8
- Top pivot for connection to side-lite and high-lite 9
- Adjustable top pivot 10
- Door stop on floor / wall / ceiling 10
- Door stop on glass, direct fitting to the transom panel 10
- High-lite / side-lite L plate assembly 11
- Floor pivot 11
- Fixed top pivot 40° 11
- Fixed top pivot 35 X 70 11

SADEV 25° LONG

- Door Configurations 12
- Pivot 25° long rod 14
- Direct top pivot for transom panel 16
- Top pivot for connection to side-lite and high-lite 17
- Adjustable top pivot 18
- Door stop on floor / wall / ceiling 18
- Door stop on glass, direct fitting to the transom panel 18
- High-lite / side-lite L plate assembly 19
- Floor pivot 19
- Fixed top pivot 40° 19
- Fixed top pivot 35 X 70 19

SADEV 40°

- Door Configurations - Single door with solid surround 20
- Pivot 40° rod 22
- Direct top pivot 24
- Top pivot for transom panel 24
- Top pivot for connection to side-lite and high-lite 25
- Door stop on floor / wall / ceiling 25
- High-lite / side-lite L plate assembly 26
- Top pivot on external bolted glass 27



SADEV PIVOT 25° HALF

This light weight system offers a wide range of configurations for single or double doors. Utilising two short pivot rods which are point fixed to the door, the Pivot 25 Short offers an individual appearance with minimal hardware.

Suitable for glass up to 2 meters in height with a maximum weight of 65kg.

SADEV PIVOT 25° LONG

Utilising a full height 25mm diameter pivot rod, with the ability to position the four point fixings anywhere along the rod, this system is versatile and extremely easy to install. Door Handles can be supplied in the same design to create two uniform rods running full door height.

Suitable for glass up to 2 meters in height with a maximum weight of 90kg.

SADEV 40°

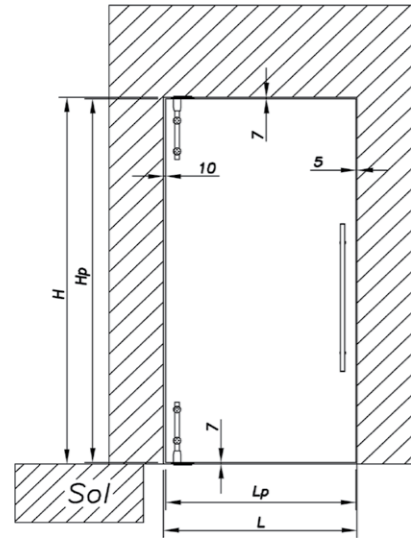
The workhorse of the range, the 40mm full length rod fitted with four 55mm diameter point fixings is suitable for high traffic applications where extended service life is required. With a wide range of accessory hardware available, and the option for customised brackets, there are few applications where Pivot 40 will not work.

The unique hardware design and quality will make a feature of any frameless glass door.

Suitable for glass up to 3 meters in height with a maximum weight of 160kg.

SADEVdecor

Pivoting Door Options



SINGLE DOOR WITH SOLID SURROUND

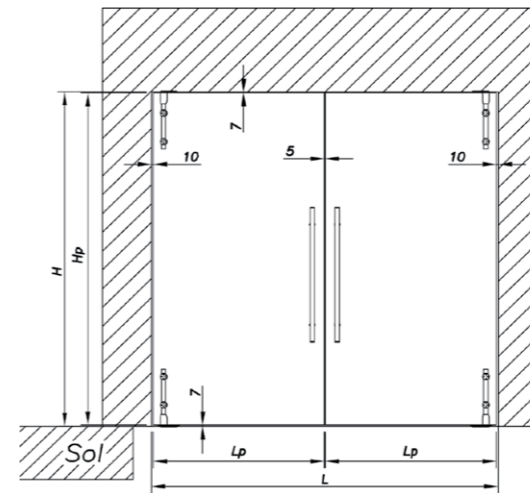
PIVOT25-S-FS

Utilising two short pivot rods, this simple installation method guarantees a minimalist outcome to any frameless glass door.

In this configuration it is possible to use either In-floor or Concealed Overhead Hydraulic Closers. Heavy duty pivot blocks are also available for top and bottom, to create free swinging doors.

All configurations of the Pivot25-S are capable of carrying a door weight of 65kg, thus allowing for doors up to 2000mm in height or 1080mm wide.

Part No.	89-000.2101	Short rod pair, complete with all fixings
----------	-------------	---



DOUBLE DOORS WITH SOLID SURROUND

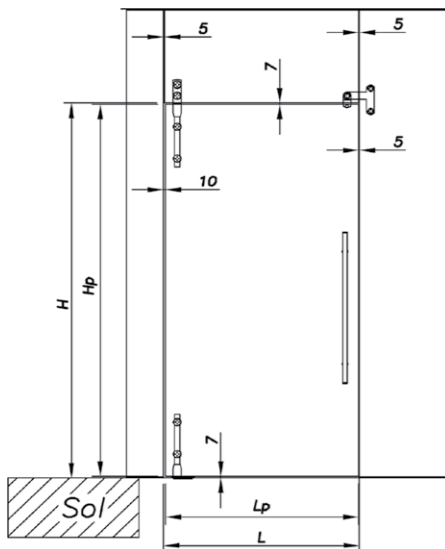
PIVOT25-S-DFS

With the two short pivot rods supported between floor and transom, this simple installation method guarantees to make a feature of any frameless glass door.

This modified version of the Pivot25 is suited to light /medium traffic applications such as office doors, meeting rooms and residential applications.

In this configuration, it is possible to use either In-floor or Concealed Overhead Hydraulic Closers. Heavy duty pivot blocks are also available for top and bottom, to create free swinging doors.

Part No.	89-000.2104	Short rod pair, complete with all fixings
----------	-------------	---



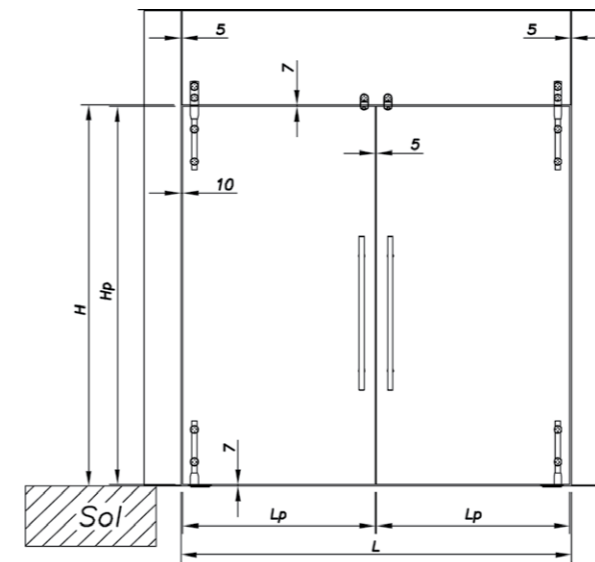
SINGLE DOOR WITH HIGH-LITE & FIXED SIDE-LITE

PIVOT25-S-HS

With overhead glazed panels spanning from top of door to ceiling and one full height fixed glass side-lite. This configuration is extremely flexible in its use. Side-lites as narrow as 150mm can be used.

The Straight top pivot which attaches to the high-lite panel has been designed to create an extension of the pivot rod.

Part No.	89-000.2102	Short rod pair, complete with all fixings
----------	-------------	---



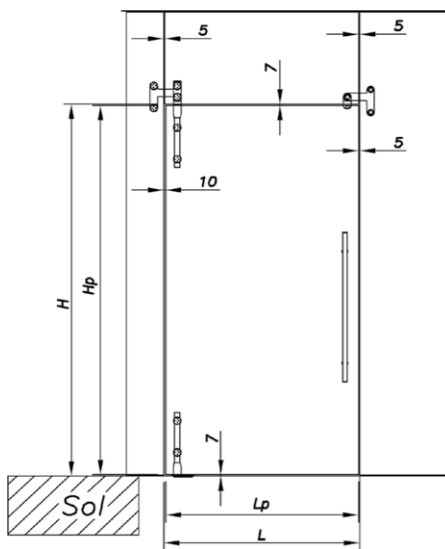
DOUBLE DOORS WITH GLASS HIGH-LITE

PIVOT25-S-DHS

With doors able to span an opening 2100mm wide x 3000mm high, utilising a 1000mm high-lite panel, this configuration is simple to install while creating an individual look.

The Straight top pivots which attach to the high-lite panels have been designed to create an extension of the pivot rods, maintaining the vertical appearance of all hardware.

Part No.	89-000.2105	Short rod pair, complete with all fixings
----------	-------------	---



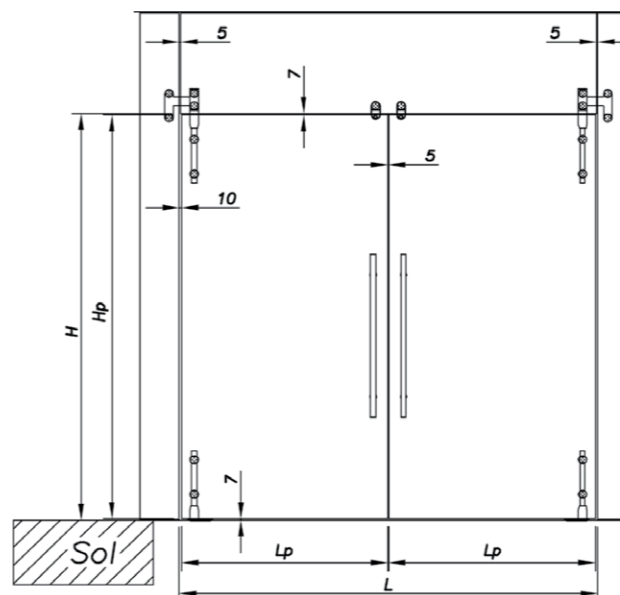
SINGLE DOOR WITH FULL GLASS SURROUND

PIVOT25-S-FF

With an overhead glazed panel spanning from top of door to ceiling and two full height fixed glass side-lites, this creates a truly transparent facade. The unique Pivot25-S-FF hardware compliments doors to offer a refined elegance and a minimalist approach to the hardware.

Matching inter-connecting top corner patches offer increased rigidity to the facade, while supporting the top pivot and optional door stop.

Part No.	89-000.2103	Short rod pair, complete with all fixings
----------	-------------	---



DOUBLE DOORS WITH FULL GLASS SURROUND

PIVOT25-S-DFF

With an overhead glazed panel spanning from top of door to ceiling and two full height fixed glass side-lites, this creates a truly transparent facade. The unique Pivot25-S-FF hardware compliments doors that require a refined elegance.

Matching Inter-connecting top corner patches offer increased rigidity to the facade, while supporting the top pivot and optional door stop. Ideal for a featured entrance in any home or office.

Part No.	89-000.2106	Short rod pair, complete with all fixings
----------	-------------	---

H: Opening height, Hp: Glass height,
L: Opening width, Lp: Glass Width



Assembly (1)
Assembly is at the time of installation for each door fixing point. This ensures the best installation of the door on site.

Kg
65 kg

Top rotation unit (2)
The top pivot is interchangeable to suit various door configurations.

Adjustment (1)
Unlimited vertical adjustment.

Screws for glass
Standard - cylindrical. Others on request.

Composition of the half bars 03 32 35
A top bar and a bottom bar constitute the reference with their fixing points for the door and their bottom and top rotation units.

Bottom rotation unit
The bottom rotation unit is a single piece with the bottom half-bar. It is available for the floor brake and the bearing plate on free shaft.

Pivot Short Rod 25Ø

The Pivot 25 short system revolves around the 350mm long 25mm diameter pivot rods which connect at the top and bottom of the glass door. Attached are four highly machined nodes which are able to slide along the rod to the desired location where they will be permanently fixed in place.

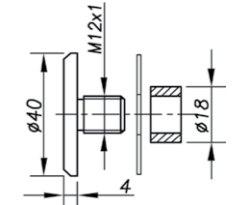
Rods can be supplied to suit In-ground or Concealed Overhead Door Closers. Standard assembly is for floor closers.

Supplied in "kit form", ready for installation.

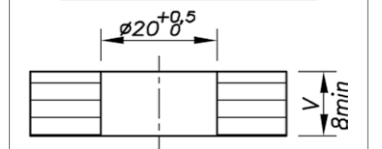
All components in the Pivot 25 short system are manufactured from 316 stainless steel.

Description	Part Number
Pivot 25° Short Rod	89-0017.200

Type of Screw

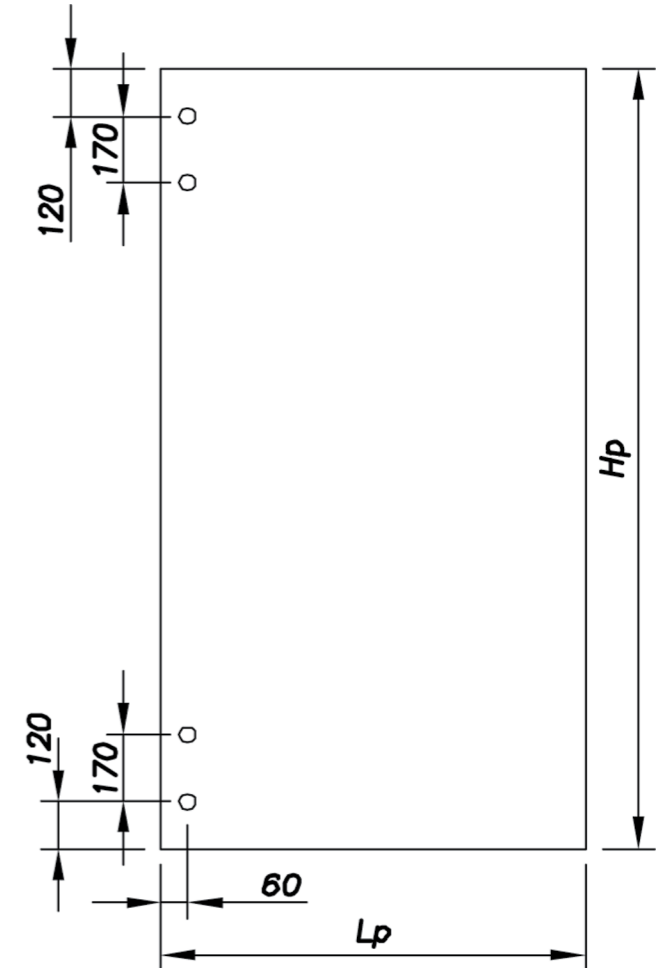
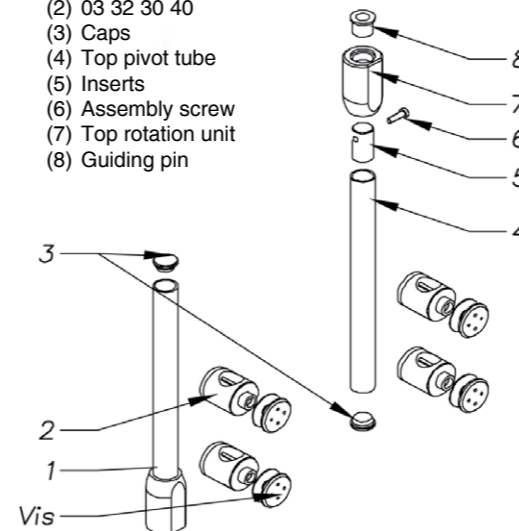


Glass Drilling



Description

- (1) Bottom pivot tube
- (2) 03 32 30 40
- (3) Caps
- (4) Top pivot tube
- (5) Inserts
- (6) Assembly screw
- (7) Top rotation unit
- (8) Guiding pin





Direct Top Pivot for Transom Panel

This top pivot is used when a glass high-lite panel is incorporated above the door. Machined from 40mm solid round bar, this pivot appears as an extension of the full length pivot rod.

Fitted with two 40mm diameter point fixings to ensure the stability of the pivot.

Glass Thickness	Part Number
8mm to 12mm	89-0018

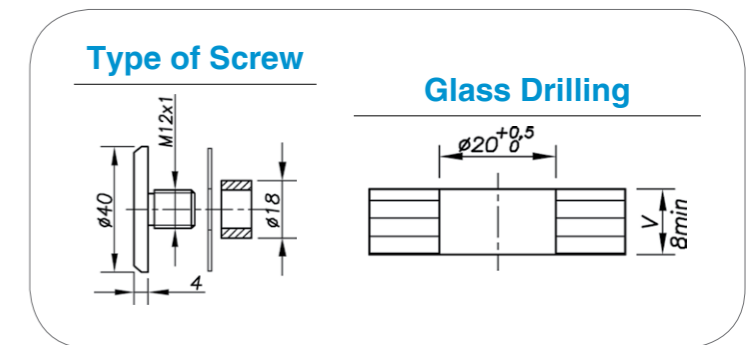
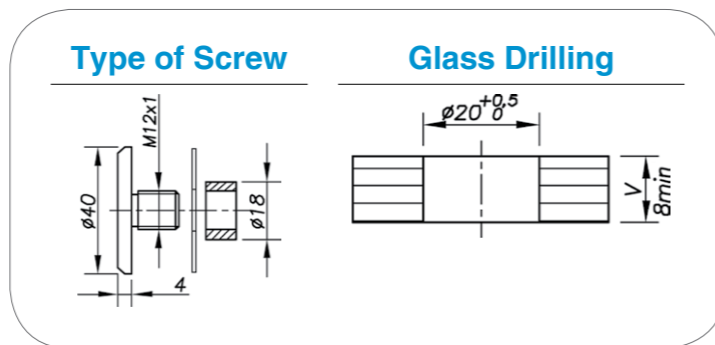
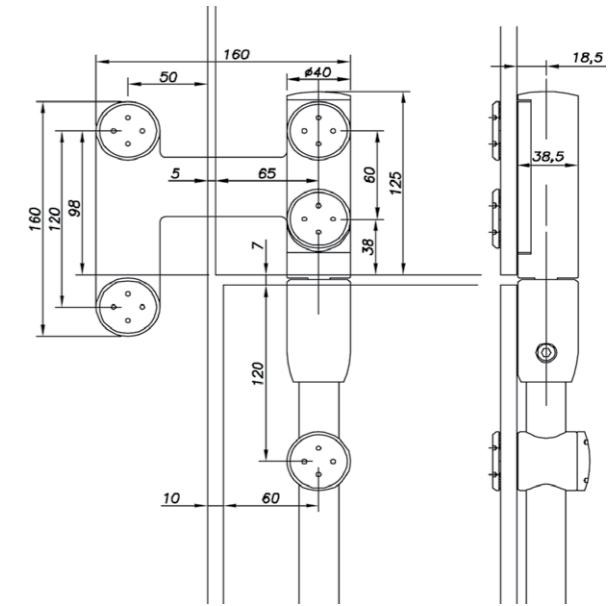
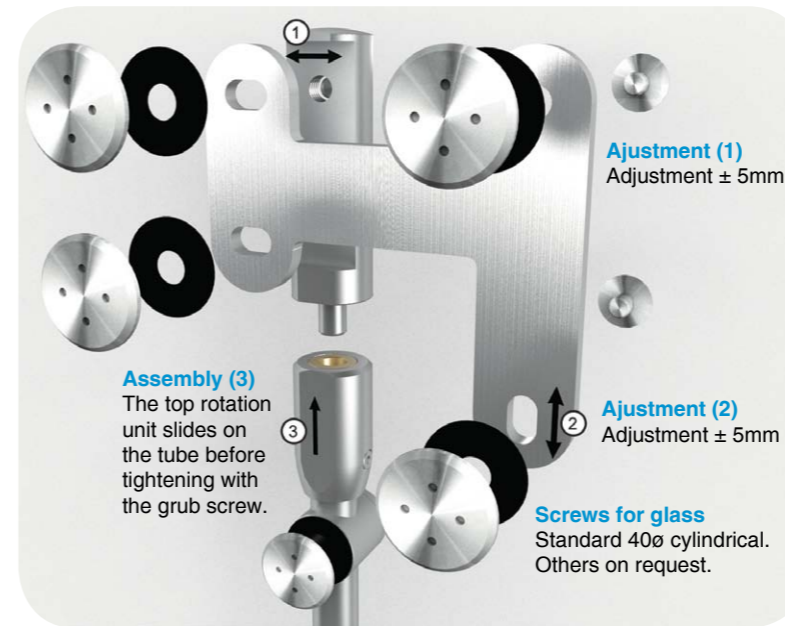
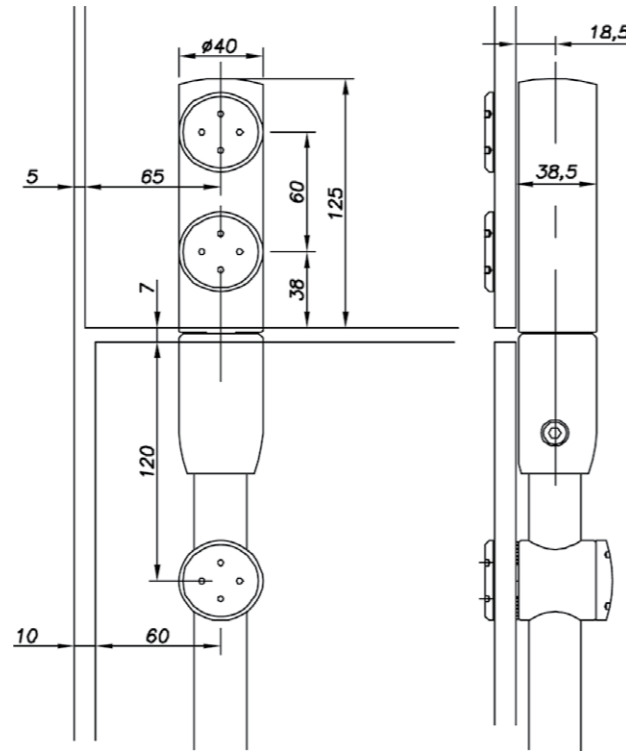


Top Pivot for Connection to Side-Lite and High-Lite

This assembly is used to tie the two fixed glass panels together in addition to mounting the top pivot above the door. The L plate is fabricated from 10mm thick stainless plate while the pivot is machined from 40mm solid round bar.

Fitted with two 40mm diameter point fixings on each panel to ensure the stability of the pivot and surrounding glass.

Glass Thickness	Part Number
8mm to 12mm	89-0019

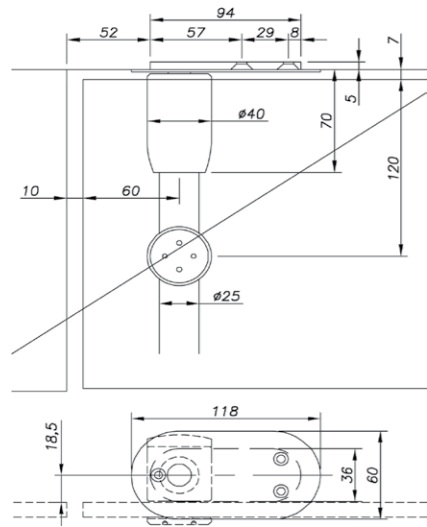




Adjustable Top Pivot

Low profile free pivot for top of door. This pivot is suitable for use on masonry, timber or metal door heads.

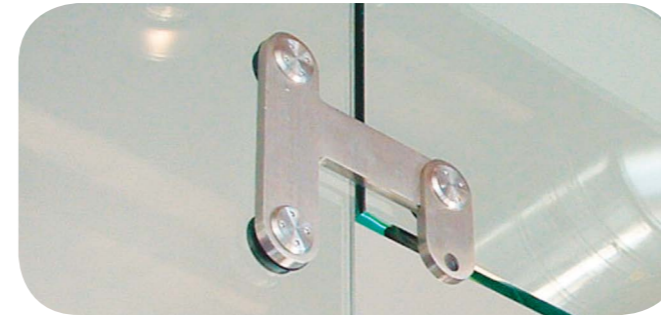
Description	Part Number
Adjustable Top Pivot	89-0018.200



Adjustment (1)
Fitting adjustment of $\pm 12\text{mm}$

Assembly (2)
The top rotation unit slides on the tube before tightening with the grub screw.

Screws (3) and (4)
Countersunk head screw 5ø. Anchor to be defined according to the nature of the wall. Not supplied by NFK. Screw 3 allows the bearing plate to be fitted and adjusted. Screw 4 locks the bearing plate after fitting is checked.



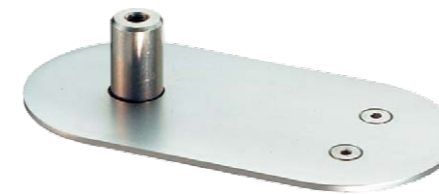
High-Lite/ Side-Lite L Plate Assembly

This assembly is the matching piece of the three way pivot patch, used in the opposing top corner to tie high-lite and side-lite panels together while maintaining a uniform style. Shown here with the above mentioned door stop installed.

Description	Part Number
L Plate Assembly	89-0020

Glass Drilling

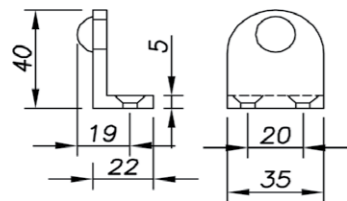
Type of Screw



Floor Pivot

Designed specifically to carry the door weight, this pivot is required when using Concealed Overhead Door Closers.

Description	Part Number
Floor Pivot	89-0018.200



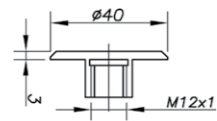
Door Stop on Floor/ Wall/ Ceiling

Fabricated from 5mm thick stainless steel, this universal stop can be located on floor or ceiling to stop the door swinging both directions. Fitted with a small rubber bumper to avoid glass damage.

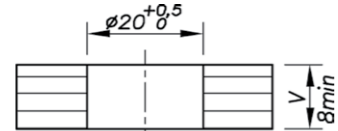
Description	Part Number
Door Stop	89-0018.350



Type of Screw



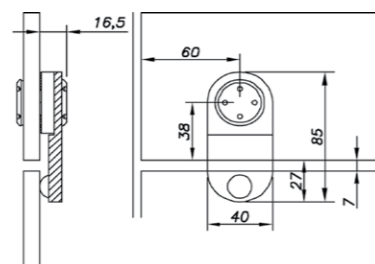
Glass Drilling



Door Stop on Glass, Direct Fitting to the Transom Panel

Specifically designed to be fixed to overhead glass panels, this inconspicuous stop is in keeping with all other fittings and can also be mounted to a corner L plate assembly.

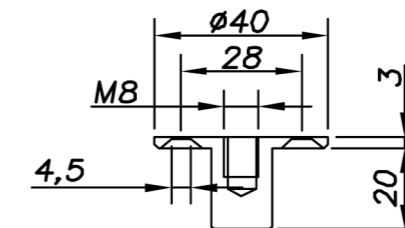
Description	Part Number
Door Stop	89-0018.300



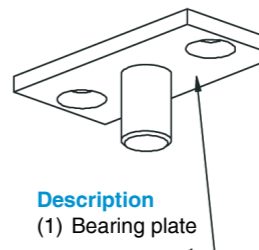
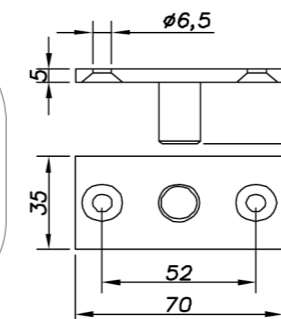
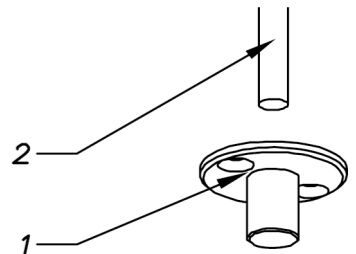
Fixed Top Pivot 40ø

Used as a top pivot to support the rod, this pivot can be installed into masonry, timber or metal frames.

Description	Part Number
Fixed Top Pivot 40ø	89-0018.230



Description
(1) Bearing plate
(2) Threaded rod 8ø

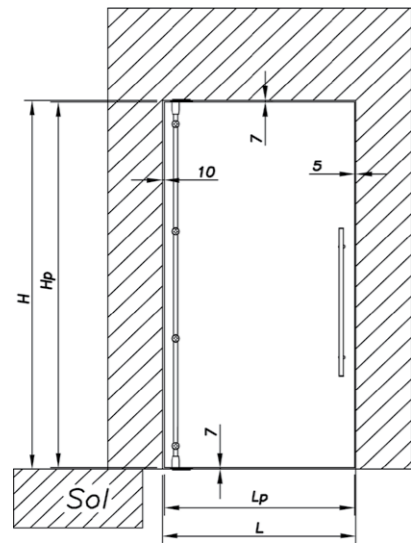


Description
(1) Bearing plate

Fixed Top Pivot 35 x 70

A rectangular version of the above Fixed Pivot, offering a slightly narrower fixing surface at 35mm wide.

Description	Part Number
Fixed Top Pivot 35 x 70	89-0018.240



SINGLE DOOR WITH SOLID SURROUND

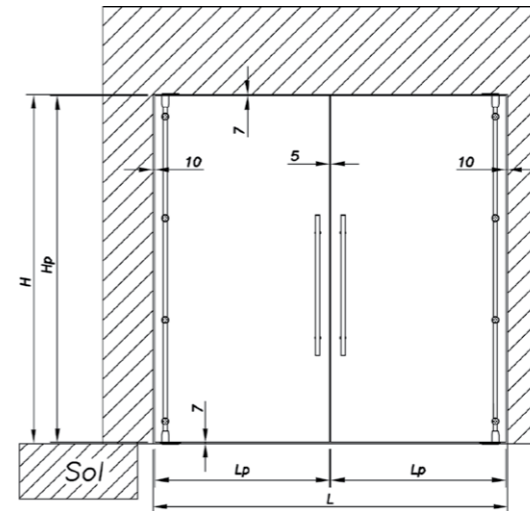
PIVOT25-FS

With the pivot rod supported between floor and transom, this simple installation method guarantees to make a feature of the petite but strong 25mm Pivot rod and point fixings.

In this configuration, it is possible to use either In-floor or Concealed Overhead Hydraulic Closers. Heavy duty pivot blocks are also available for top and bottom, to create free swinging doors.

All configurations of the Pivot25 are capable of carrying a door weight of 90kg, thus allowing for doors up to 2000mm in height or 1200mm wide.

Part No.	89-000.2201	2000mm rod, complete with all fixings
----------	-------------	---------------------------------------



DOUBLE DOORS WITH SOLID SURROUND

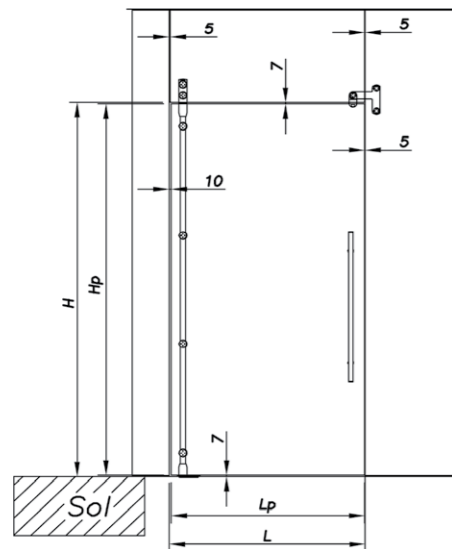
PIVOT25-DFS

With the pivot rod supported between floor and transom, this simple installation method guarantees to make a feature of the 40mm Pivot rod and point fixings.

This lightweight refined version of the Pivot40 is suited to medium traffic applications such as office doors, meeting rooms and private homes.

In this configuration, it is possible to use either In-floor or Concealed Overhead Hydraulic Closers. Heavy duty pivot blocks are also available for top and bottom, to create free swinging doors.

Part No.	89-000.2204	2000mm 2 x rods, complete with all fixings
----------	-------------	--



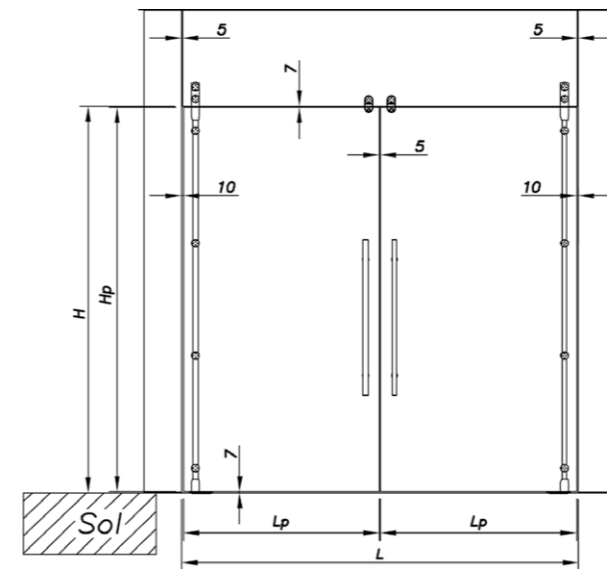
SINGLE DOOR WITH HIGH-LITE & ONE FIXED SIDE LITE

PIVOT25-HS

With overhead glazed panels spanning from top of door to ceiling and one full height fixed glass side-lite. This configuration is extremely flexible in its use. Side-lites as narrow as 150mm can be used.

The Straight top pivot which attaches to the high-lite panel has been designed to create an extension of the pivot rod.

Part No.	89-000.2202	2000mm rod, complete with all fixings
----------	-------------	---------------------------------------



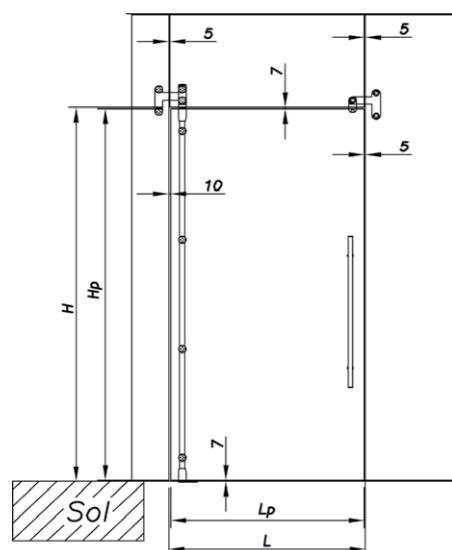
DOUBLE DOORS WITH GLASS HIGH-LITE

PIVOT25-DHS

With doors able to span an opening 2400mm wide x 3000mm high, utilising a 1000mm high-lite panel, this configuration is simple to install while creating an individual look.

The Straight top pivots which attach to the high-lite panels have been designed to create an extension of the pivot rods, maintaining the vertical appearance of all hardware.

Part No.	89-000.2205	2000mm 2 x rods, complete with all fixings
----------	-------------	--



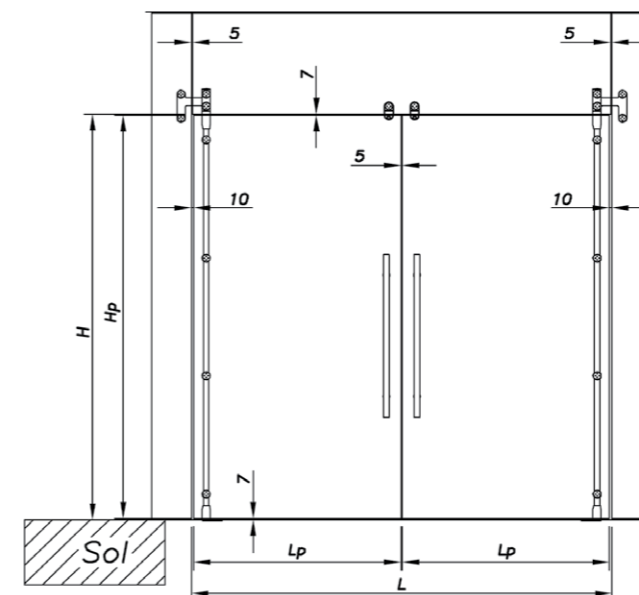
SINGLE DOOR WITH FULL GLASS SURROUND

PIVOT25-FF

With an overhead glazed panel spanning from top of door to ceiling and two full height fixed glass side-lites, this creates a truly transparent facade. The unique Pivot25-FF hardware compliments doors to offer a refined elegance.

Matching inter-connecting top corner patches offer increased rigidity to the facade, while supporting the top pivot and optional door stop.

Part No.	89-000.2203	2000mm rod, complete with all fixings
----------	-------------	---------------------------------------



DOUBLE DOORS WITH FULL GLASS SURROUND

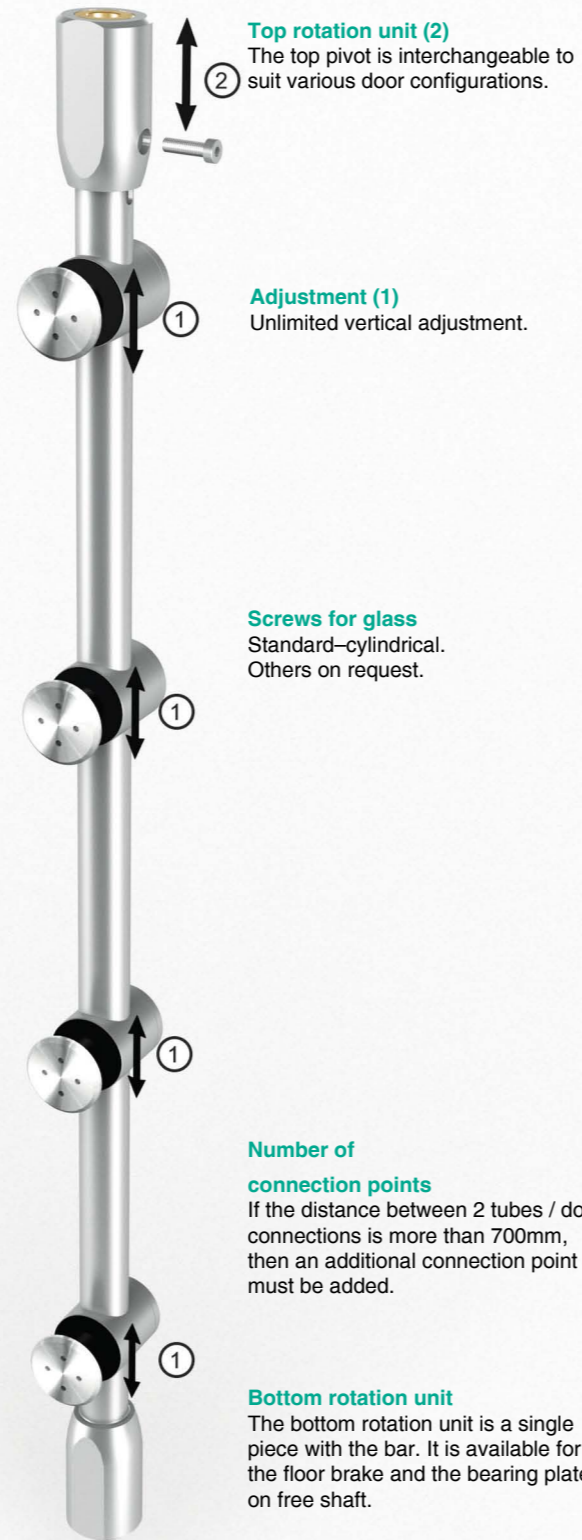
PIVOT25-DFF

With an overhead glazed panel spanning from top of door to ceiling and two full height fixed glass side-lites, this creates a truly transparent facade. The unique Pivot25-FF hardware compliments doors that require a refined elegance.

Matching inter-connecting top corner patches offer increased rigidity to the facade while supporting the top pivot and optional door stop. Highly suited to premium shopfront installations or office partitioning that requires a stand-out feature..

Part No.	89-000.2206	2000mm 2 x rods, complete with all fixings
----------	-------------	--

H: Opening height, Hp: Glass height,
L: Opening width, Lp: Glass Width



Pivot Long Rod 25Ø

The Pivot 25 system revolves around the refined 25mm diameter pivot rod which runs full height of the glass door. Attached are four highly machined nodes which are able to slide along the rod to the desired location, where they will be permanently fixed in place.

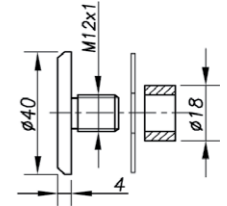
Rods can be supplied to suit In-ground or Concealed Overhead Door Closers. Standard assembly is for floor closers.

Supplied in a standard length 2000mm as “kit form” or, cut to length and fully assembled, ready for installation.

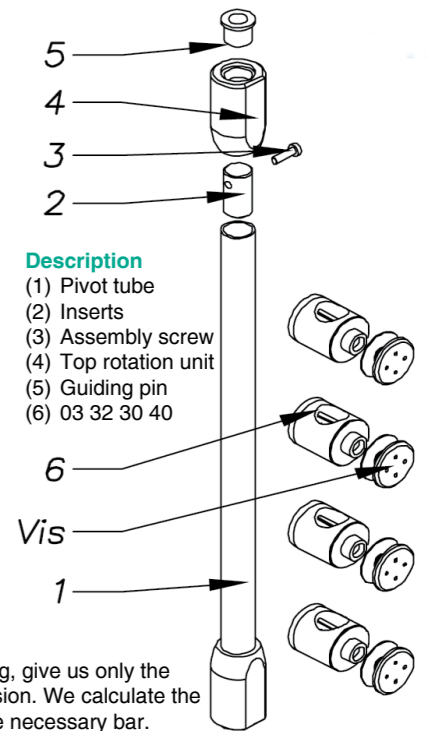
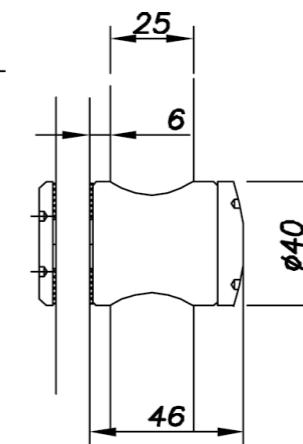
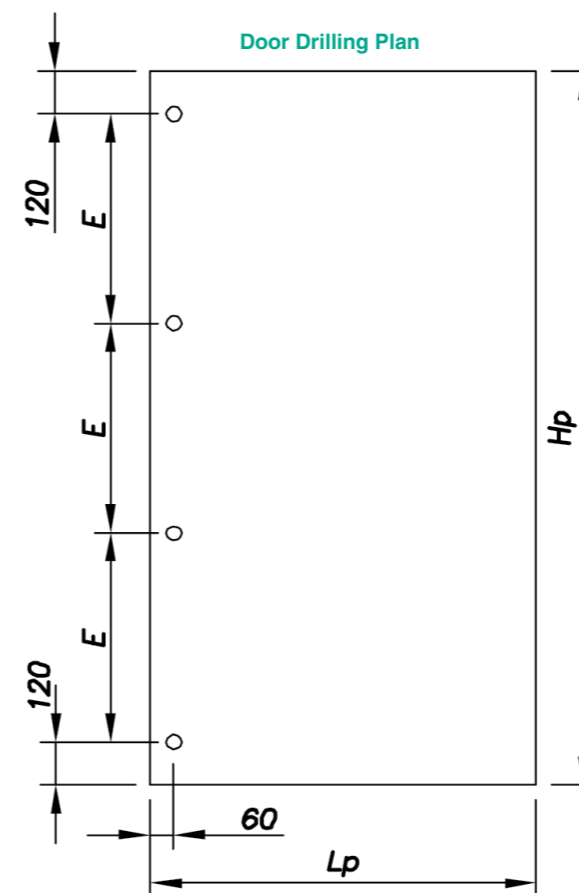
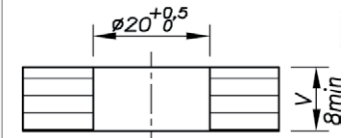
All components in the Pivot 25 system are manufactured from 316 stainless steel.

Description	Part Number
Pivot 25° Long Rod	89-0017

Type of Screw



Glass Drilling



When ordering, give us only the height dimension. We calculate the height x of the necessary bar.



Direct Top Pivot for Transom Panel

This top pivot is used when a glass high-lite panel is incorporated above the door. Machined from 40mm solid round bar, this pivot appears as an extension of the full length pivot rod.

Fitted with two 40mm diameter point fixings to ensure the stability of the pivot.

Glass Thickness	Part Number
8mm to 12mm	89-0018

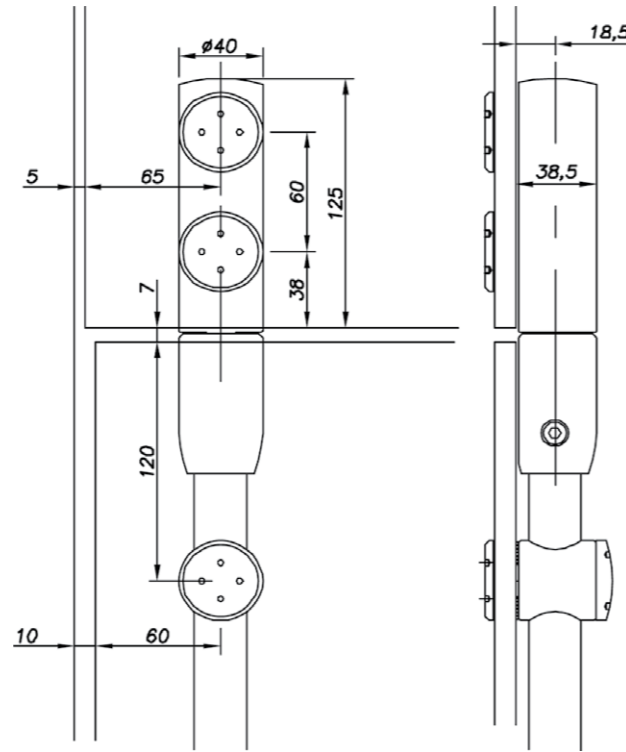
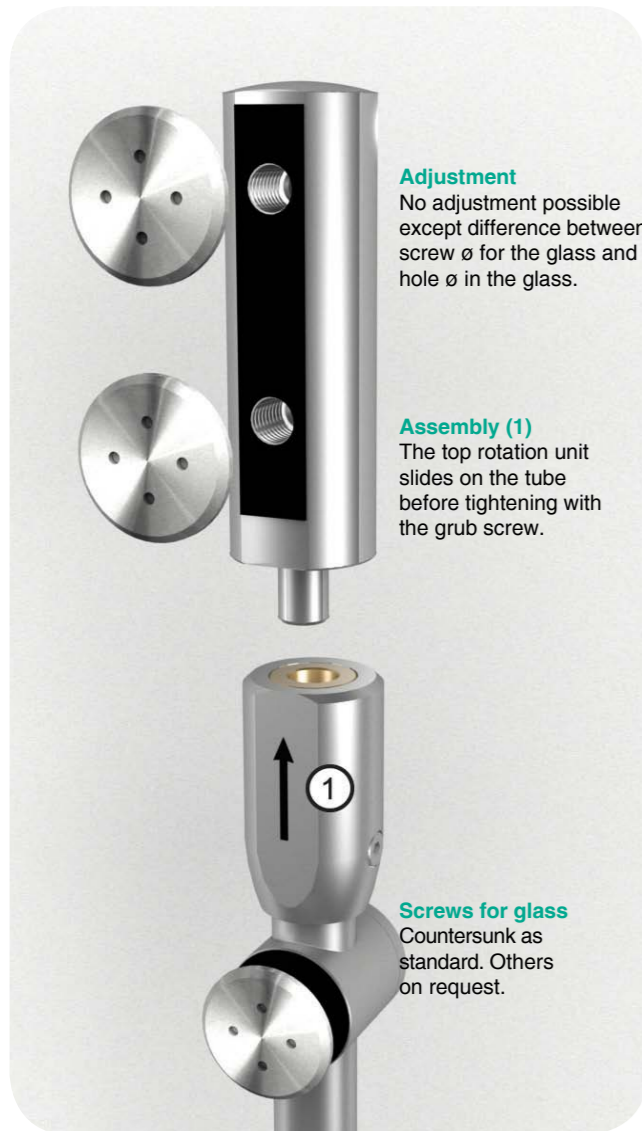


Top Pivot for Connection to Side-Lite and High-Lite

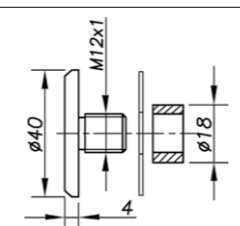
This assembly is used to tie the two fixed glass panels together in addition to mounting the top pivot above the door. The L plate is fabricated from 10mm thick stainless plate while the pivot is machined from 40mm solid round bar.

Fitted with two 40mm diameter point fixings on each panel to ensure the stability of the pivot and surrounding glass.

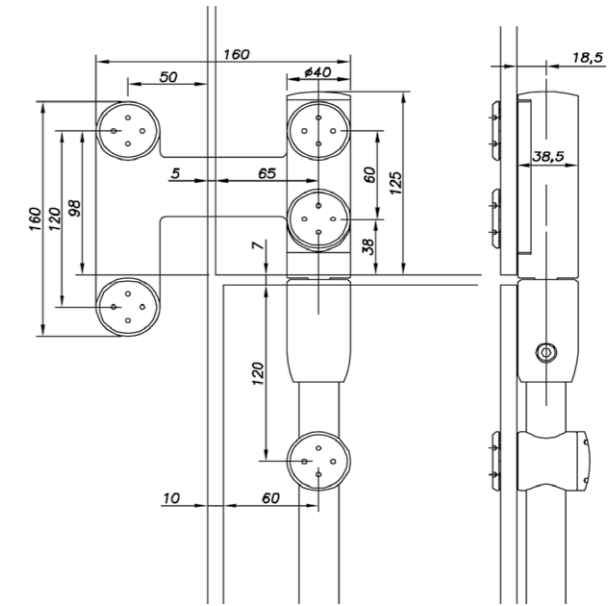
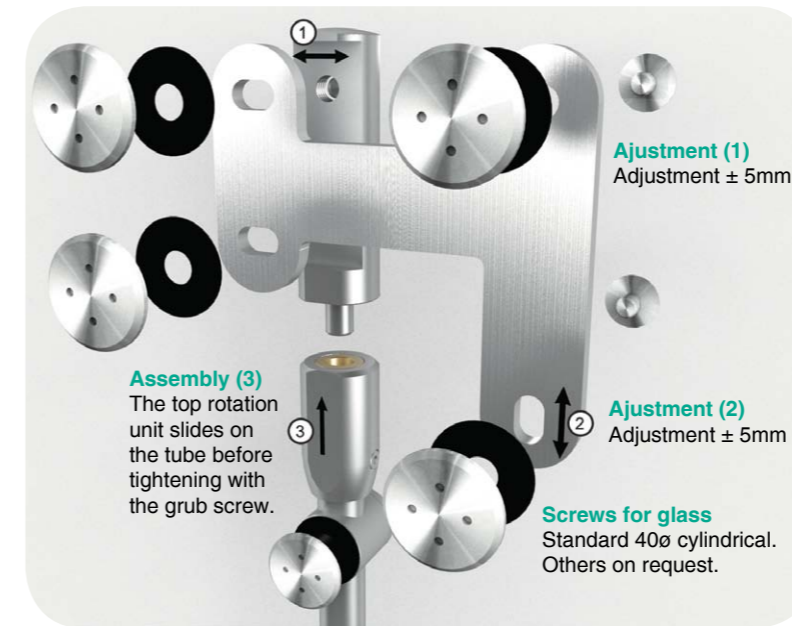
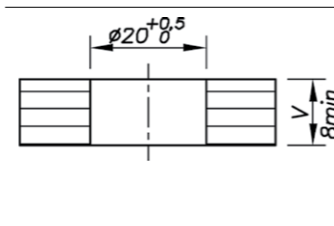
Glass Thickness	Part Number
8mm to 12mm	89-0019



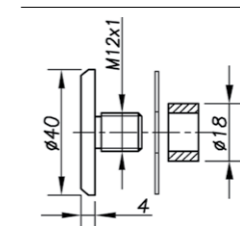
Type of Screw



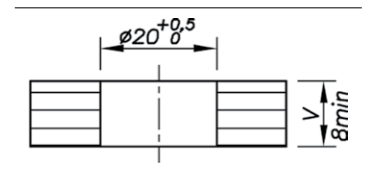
Glass Drilling



Type of Screw



Glass Drilling

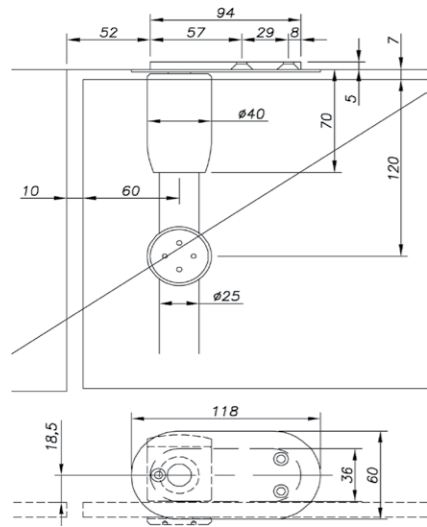




Adjustable Top Pivot

Low profile free pivot for top of door. This pivot is suitable for use on masonry, timber or metal door heads.

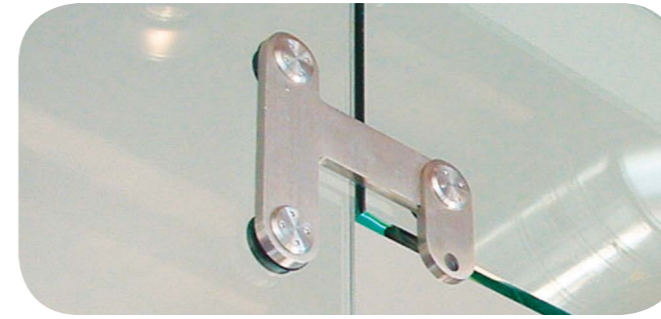
Description	Part Number
Adjustable Top Pivot	89-0018.200



Adjustment (1)
Fitting adjustment of ±12mm

Assembly (2)
The top rotation unit slides on the tube before tightening with the grub screw.

Screws (3) and (4)
Countersunk head screw 5ø. Anchor to be defined according to the nature of the wall. Not supplied by NFK. Screw 3 allows the bearing plate to be fitted and adjusted. Screw 4 locks the bearing plate after fitting is checked.



High-Lite/ Side-Lite L Plate Assembly

This assembly is the matching piece of the three way pivot patch, used in the opposing top corner to tie high-lite and side-lite panels together while maintaining a uniform style. Shown here with the above mentioned door stop installed.

Description	Part Number
L Plate Assembly	89-0020

Glass Drilling

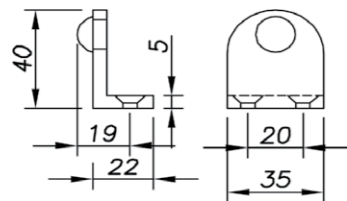
Type of Screw



Floor Pivot

Designed specifically to carry the door weight, this pivot is required when using Concealed Overhead Door Closers.

Description	Part Number
Floor Pivot	89-0018.200



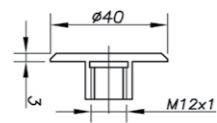
Door Stop on Floor/ Wall/ Ceiling

Fabricated from 5mm thick stainless steel, this universal stop can be located on floor or ceiling to stop the door swinging both directions. Fitted with a small rubber bumper to avoid glass damage.

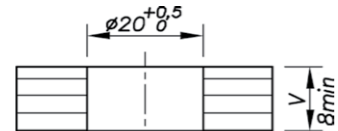
Description	Part Number
Door Stop	89-0018.350



Type of Screw



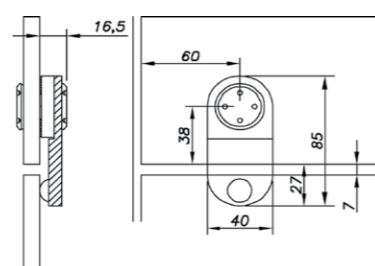
Glass Drilling



Door Stop on Glass, Direct Fitting to the Transom Panel

Specifically designed to be fixed to overhead glass panels, this inconspicuous stop is in keeping with all other fittings and can also be mounted to a corner L plate assembly.

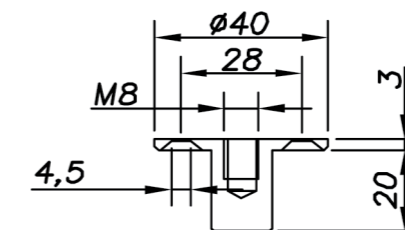
Description	Part Number
Door Stop	89-0018.300



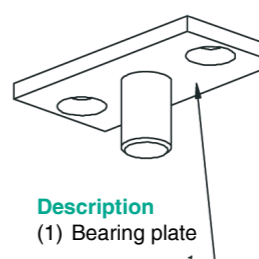
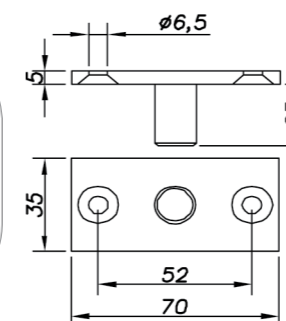
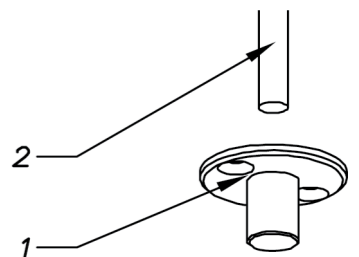
Fixed Top Pivot 40ø

Used as a top pivot to support the rod, this pivot can be installed into masonry, timber or metal frames.

Description	Part Number
Fixed Top Pivot 40ø	89-0018.230



Description
(1) Bearing plate
(2) Threaded rod 8ø



Description
(1) Bearing plate

Fixed Top Pivot 35 x 70

A rectangular version of the above Fixed Pivot, offering a slightly narrower fixing surface at 35mm wide.

Description	Part Number
Fixed Top Pivot 35 x 70	89-0018.240

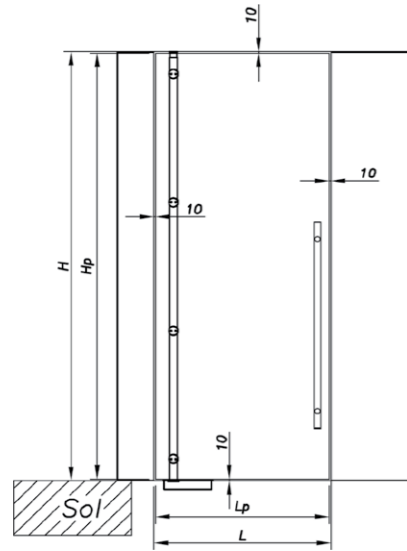
SINGLE DOOR WITH SOLID SURROUND

PIVOT40-FS

With the pivot rod supported between floor and transom, this simple installation method guarantees to make a feature of the 40mm Pivot rod and point fixings.

In this configuration, it is possible to use either In-floor or Concealed Overhead Hydraulic Closers. Heavy duty pivot blocks are also available for top and bottom, to create free swinging doors.

All configurations of the Pivot40 are capable of carrying a door weight of 160kg, thus allowing for doors up to 3000mm in height and 1400mm wide.



Part No.	89-000.2301	2400mm rod, complete with all fixings
	89-000.2302	3000mm rod, complete with all fixings

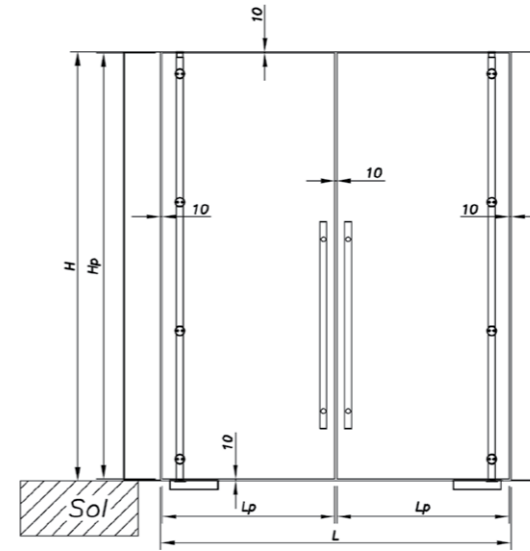
DOUBLE DOORS WITH SOLID SURROUND

PIVOT40-DFS

With the pivot rod supported between floor and transom, this simple installation method guarantees to make a feature of the 40mm Pivot rod and point fixings.

This extremely strong hardware is in its element in high traffic applications such as busy shop entrances, or internal partition doors.

In this configuration, it is possible to use either In-floor or Concealed Overhead Hydraulic Closers. Heavy duty pivot blocks are also available for top and bottom to create free swinging doors.



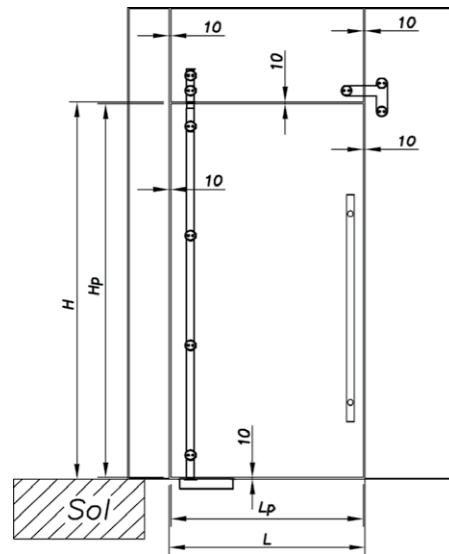
Part No.	89-000.2307	2400mm 2 x rods, complete with all fixings
	89-000.2308	3000mm 2 x rods, complete with all fixings

SINGLE DOOR WITH HIGH-LITE & ONE FIXED SIDE LITE

PIVOT40-HS

With overhead glazed panels spanning from top of door to ceiling and one full height fixed glass side-lite. This configuration is extremely flexible in its use. Side-lites as narrow as 150mm can be used.

The Straight top pivot which attaches to the high-lite panel has been designed to create an extension of the pivot rod.



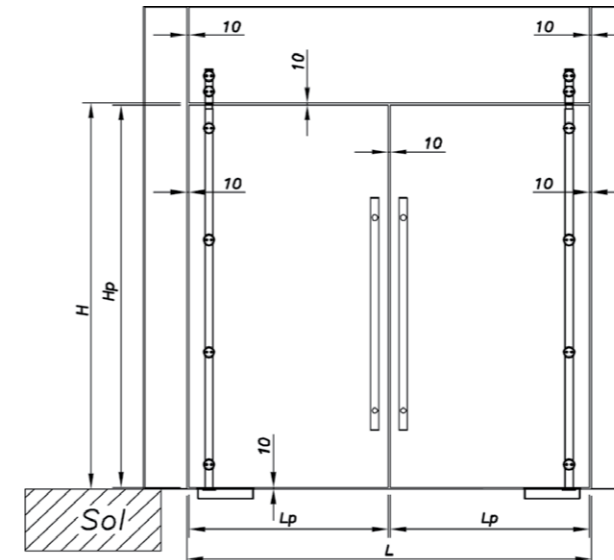
Part No.	89-000.2303	2400mm rod, complete with all fixings
	89-000.2304	3000mm rod, complete with all fixings

DOUBLE DOORS WITH GLASS HIGH-LITE

PIVOT40-DHS

With doors able to span an opening 2600mm wide x 4000mm high, utilising a 1000mm high-lite panel. This configuration is simple to install yet capable of handling larger entrances.

The Straight top pivots which attach to the high-lite panels have been designed to create an extension of the pivot rods, maintaining the vertical appearance of all hardware.



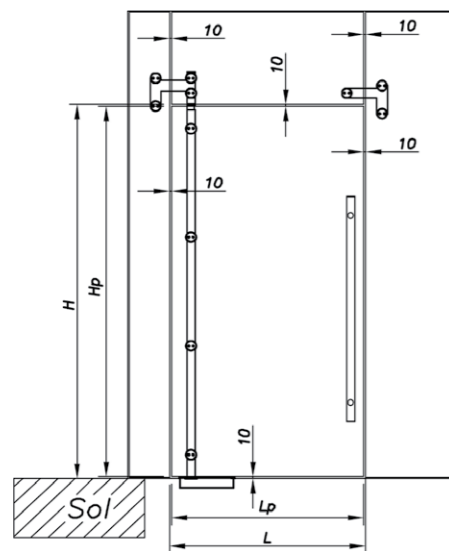
Part No.	89-000.2309	2400mm 2 x rods, complete with all fixings
	89-000.2310	3000mm 2 x rods, complete with all fixings

SINGLE DOOR WITH FULL GLASS SURROUND

PIVOT40-FF

With an overhead glazed panel spanning from top of door to ceiling and two full height fixed glass side-lites, this creates a truly transparent facade. The unique Pivot40-FF hardware compliments doors that require strength and elegance.

Matching Inter-connecting top corner patches offer increased rigidity to the facade, while supporting the top pivot and optional door stop.



Part No.	89-000.2305	2400mm rod, complete with all fixings
	89-000.2306	3000mm rod, complete with all fixings

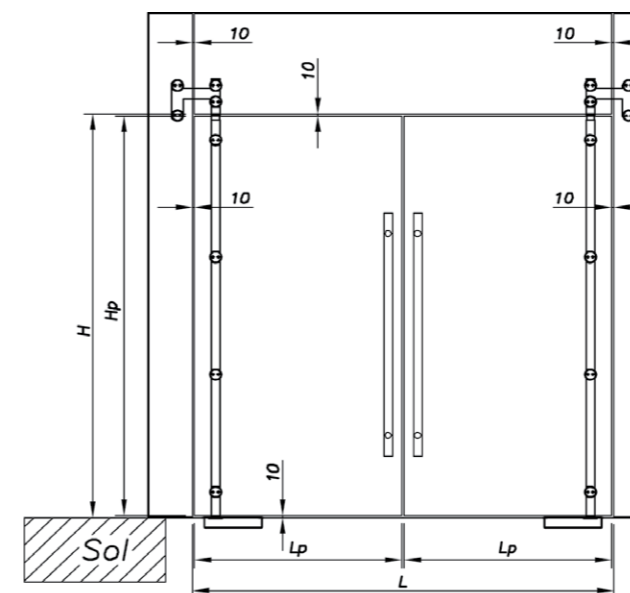
H: Opening height, Hp: Glass height,
L: Opening width, Lp: Glass Width

DOUBLE DOORS WITH FULL GLASS SURROUND

PIVOT40-DFP

With an overhead glazed panel spanning from top of door to ceiling and two full height fixed glass side-lites, this creates a truly transparent facade. The unique Pivot40-FF hardware compliments doors that require strength and elegance.

Matching inter-connecting top corner patches offer increased rigidity to the facade, while supporting the top pivot and optional door stop. Highly suited to premium shopfront installations.



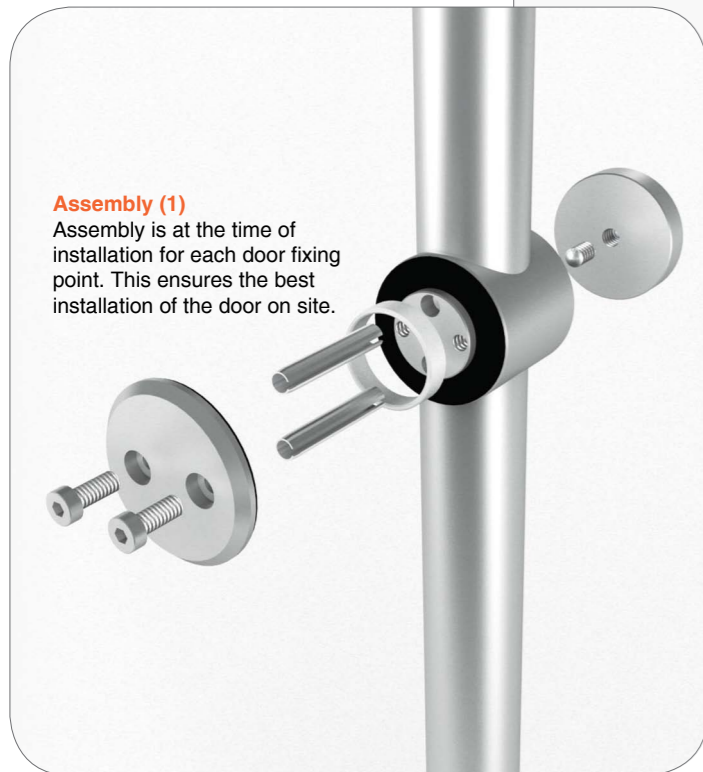
Part No.	89-000.2311	2400mm 2 x rods, complete with all fixings
	89-000.2312	3000mm 2 x rods, complete with all fixings



Top rotation unit (2)
The top pivot is interchangeable to suit various door configurations.



Screws for glass
Cylindrical 55ø exclusively



Assembly (1)
Assembly is at the time of installation for each door fixing point. This ensures the best installation of the door on site.



Pivot Rod 40Ø

The Pivot40 system revolves around the high strength 40mm diameter pivot rod which always runs full height of the glass door. Attached are four highly machined nodes which are able to slide along the rod to the desired location, where they will be permanently fixed in place.

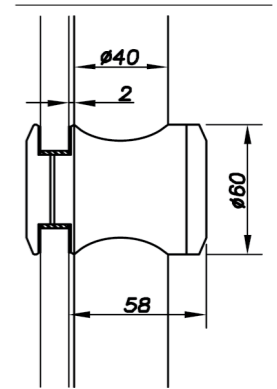
Rods can be supplied to suit In-ground or Concealed Overhead Door Closers. Standard assembly is for floor closers.

Supplied in two standard lengths as "kit form" or, cut to length and fully assembled, ready for installation.

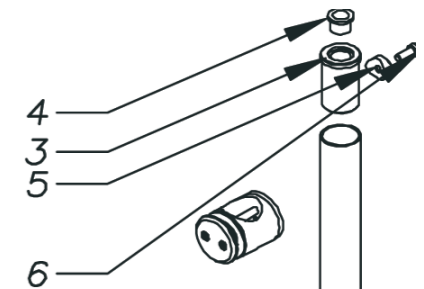
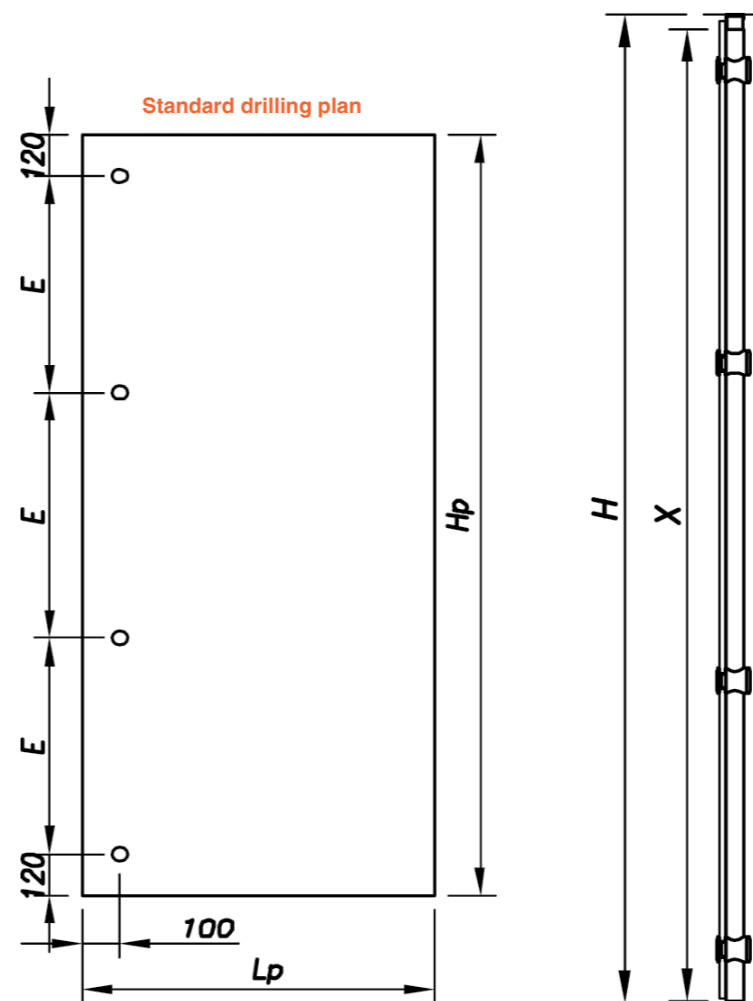
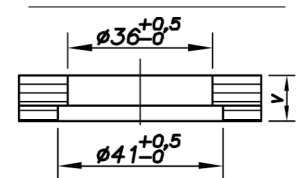
All components in the Pivot40 system are manufactured from 316 stainless steel.

Description	Part Number
Pivot 40º 2400mm Rod	89-0021.2400
Pivot 40º 3000mm Rod	89-0021.3000

Type of Screw



Glass Drilling



Description
(1) Pivot tube 40ø
(2) Fixing body
(3) Tube insert
(4) Guiding ring
(5) Fixing stud
(6) Top tightening screw

When ordering, please give us the height dimension and the glass thickness.



Screws
Countersunk screw head 4ø + 8ø threaded rod 70mm. Ideally, seal the 8ø rod chemically + two 4ø screws in anti-rotation.

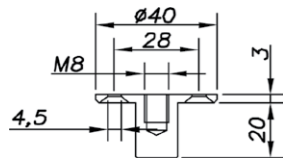
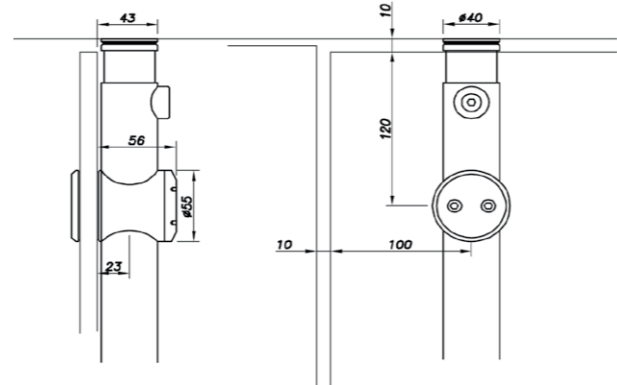
Assembly (1)
The top rotation unit slides on the tube before tightening with the grub screw



Direct Top Pivot 40Ø

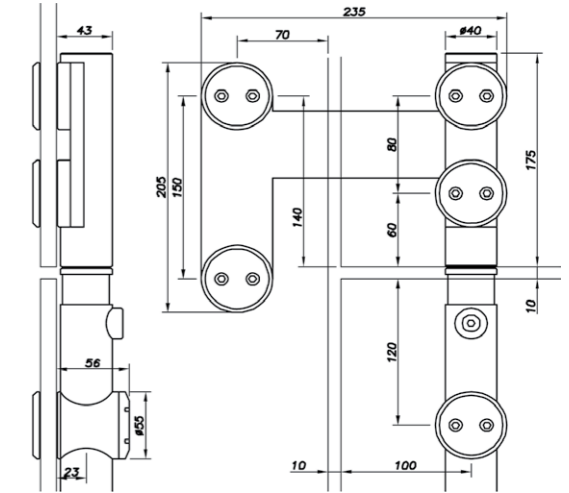
Low profile free pivot for top of door. This pivot is suitable for use on masonry, timber or metal door heads.

Description	Part Number
Direct Top Pivot 40°	89-0022.200

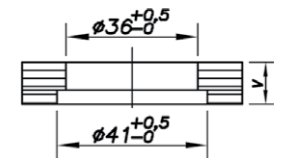


Assembly (2)
The top rotation unit slides on the tube before tightening with the grub screw

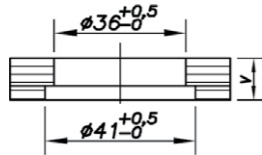
Adjustment (1)
Horizontal adjustment ±6mm



Glass Drilling



Glass Drilling



Top Pivot for Transom Panel 40Ø

This top pivot is used when a glass high-lite panel is incorporated above the door. Machined from 40mm solid round bar, this pivot appears as an extension of the full length pivot rod.

Fitted with two 55mm diameter point fixings to ensure the stability of the pivot.

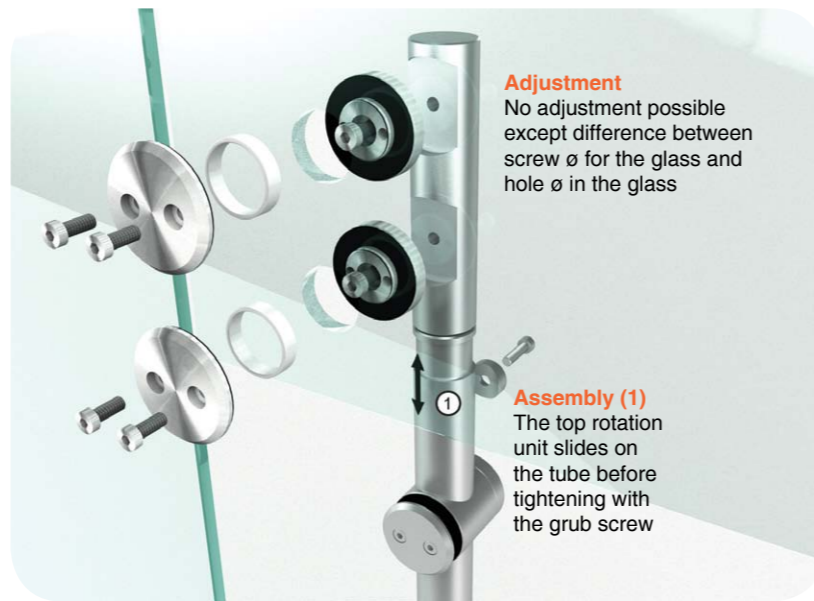
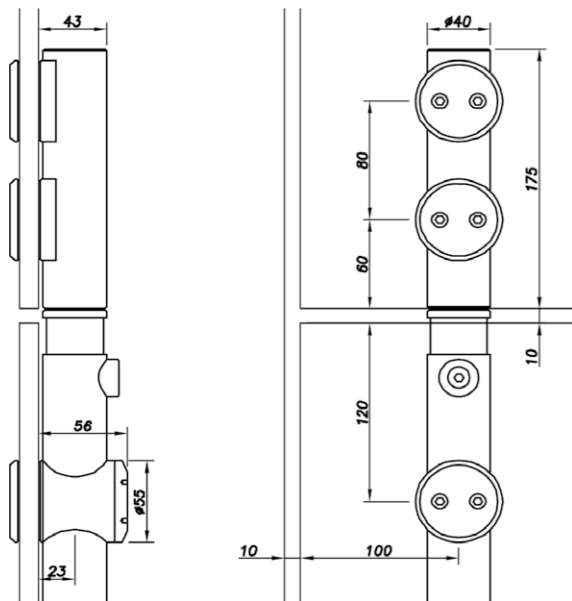
Description	Part Number
Top Pivot 40°	89-0022.100

Top Pivot for Connection to Side-Lite and High-Lite

This assembly is used to tie the two fixed glass panels together, in addition to mounting the top pivot above the door. The L plate is fabricated from 10mm thick stainless while the pivot is machined from 40mm solid round bar.

Fitted with two 55mm diameter point fixings on each panel to ensure the stability of the pivot and surrounding glass.

Glass Thickness	Part Number
Please Specify	89-0022



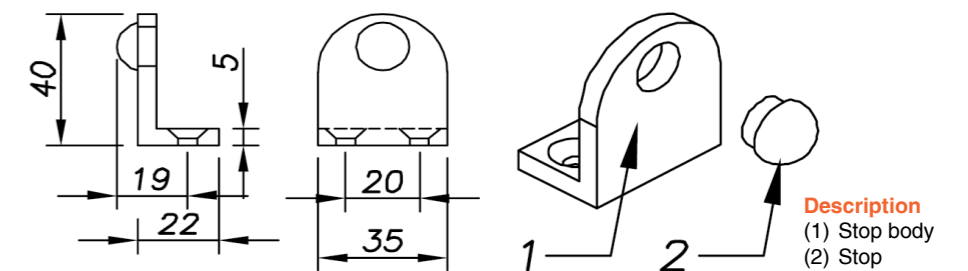
Adjustment
No adjustment possible except difference between screw ø for the glass and hole ø in the glass

Assembly (1)
The top rotation unit slides on the tube before tightening with the grub screw

Door Stop on Floor/ Wall/ Ceiling

Fabricated from 5mm thick stainless steel, this universal stop can be located on floor or ceiling to stop the door swinging both directions. Fitted with a small rubber bumper to avoid glass damage.

Description	Part Number
Door Stop	89-0022.300



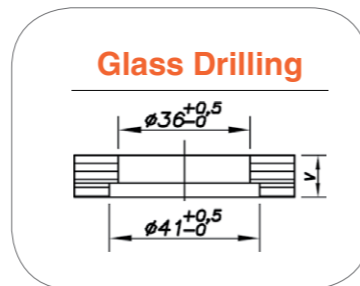
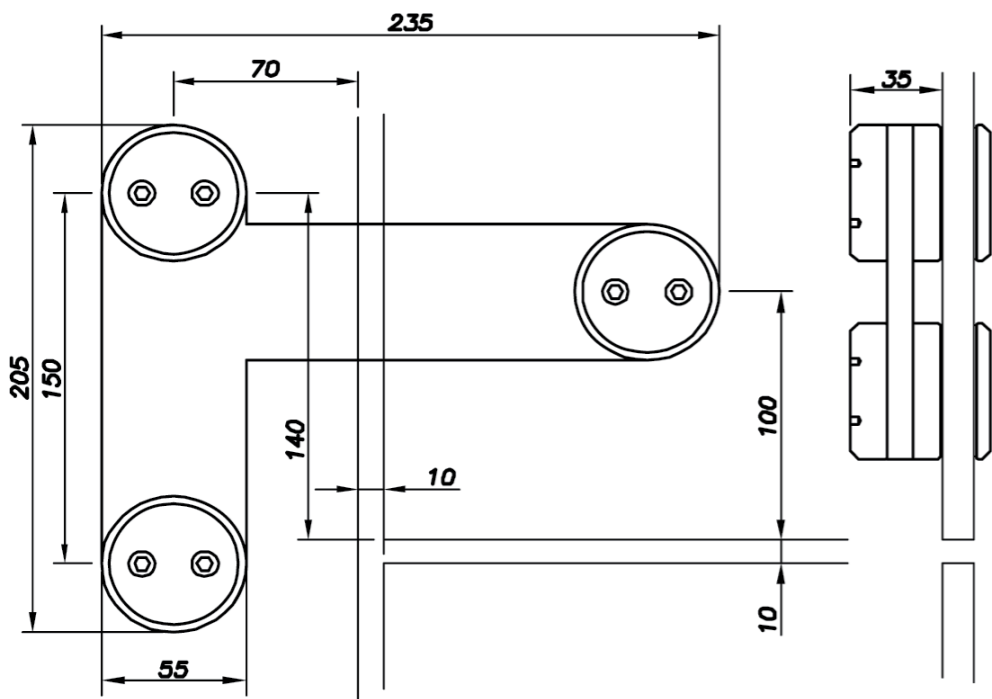
Description
(1) Stop body
(2) Stop



High-Lite / Side-Lite L Plate Assembly

This assembly is the matching piece of the three way pivot patch, used in the opposing top corner to tie high-lite and side-lite panels together while maintaining a uniform style.

Glass Thickness	Part Number
To Be Stated	89-0023



Top Pivot on External Bolted Glass

This page shows examples of how the Sadev Monti spider can be used to attach Pivot40 as part of a larger facade. Customised design of similar components is available from NFK, please contact our office for further information.

Glass Thickness	Part Number
12 to 21.5mm	89-0022.500

